

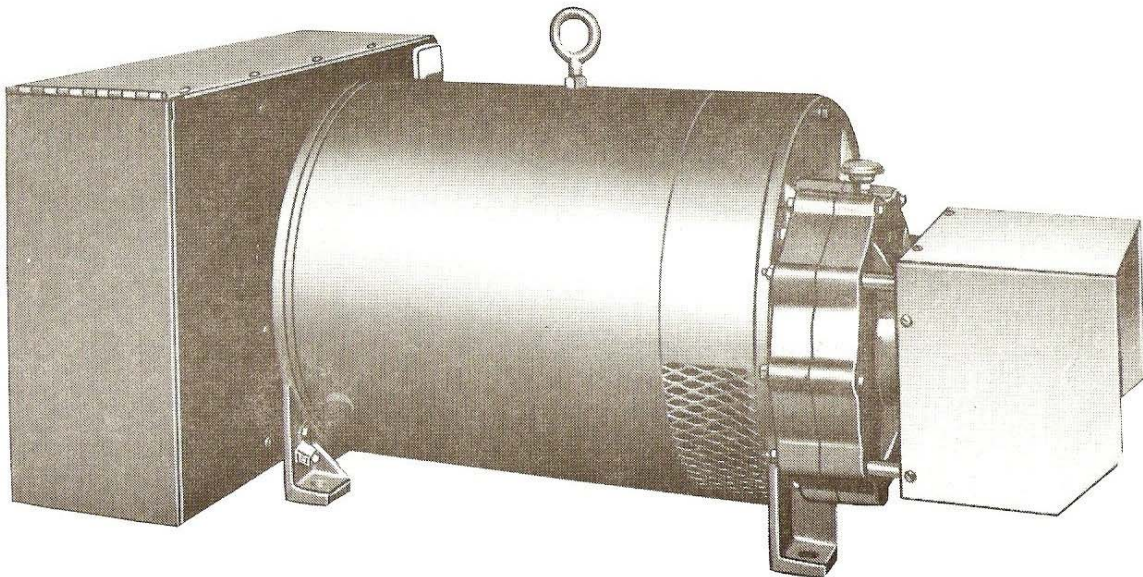
WINPOWER

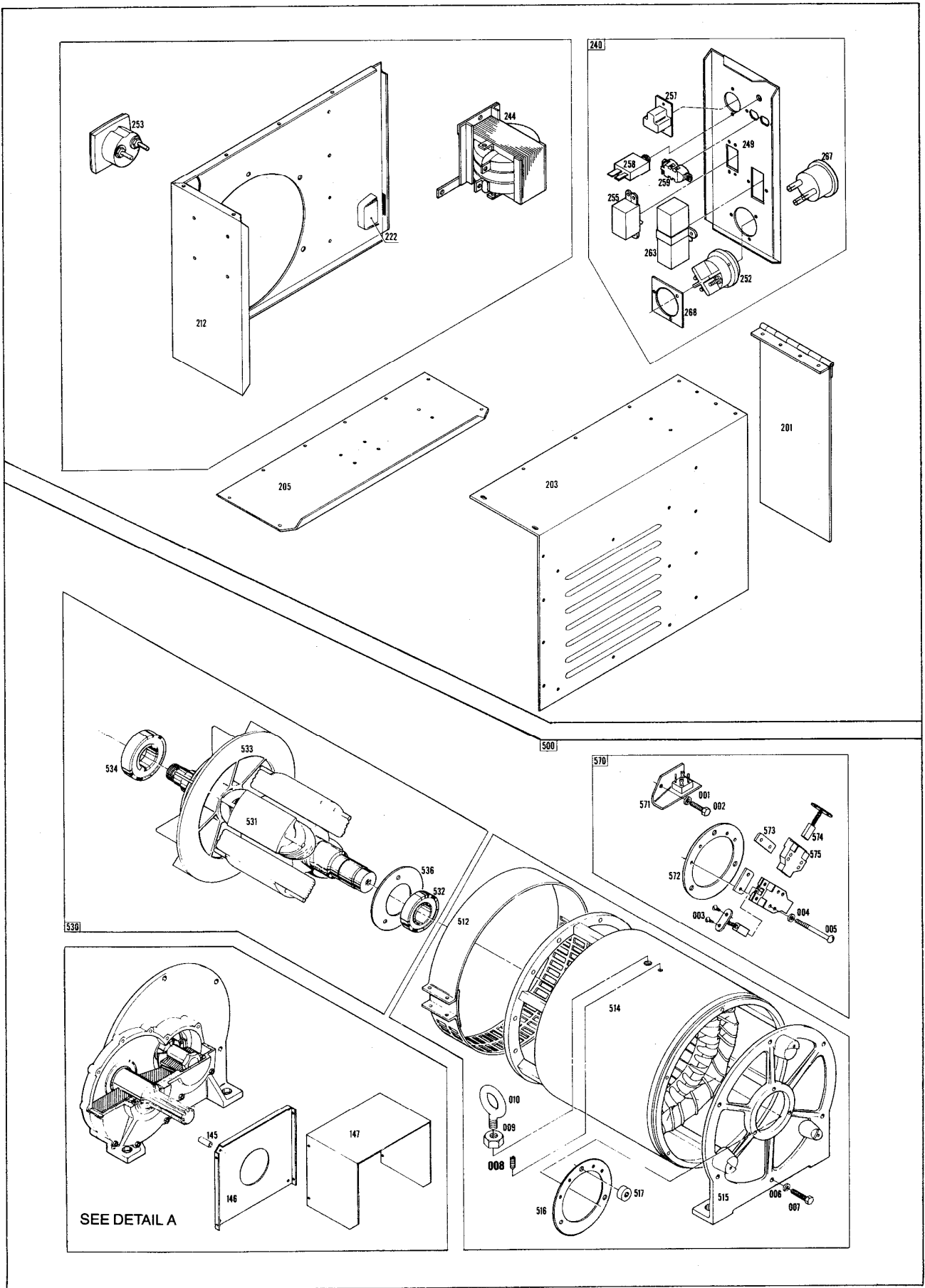
*A Division of **DT** Dyna Technology Inc*

PARTS LIST

WP75FPTOT/D

WP75FPTOT/J





REF #	PART NUMBER	QTY	DESCRIPTION
001	480-000	3	5/16 Lock Washer
002	441-00	3	5/16-18 X 2 Cap Screw
003	40746-000	8	8-32 X 5/16 Screw
004	6376-000	4	Lock Washer
005	10846-000	4	8-32 X 1-1/2 Screw
006	90570-000	6	Lock Washer
007	91256-000	6	Cap Screw
008	91347-000	1	Set Screw
009	447-000	1	Nut
010	91137-000	1	Eye Bolt
145	91172-000	4	Spacer
146	91170-000	1	Bracket
147	91171-000	1	Shield
201	91175-001	1	Cover
203	91174-000	1	Louvered Panel
205	91246-000	1	Base Cover
212	91371-000	1	Rear Panel (Bare)
222	91177-000	2	Magnetic Latch
240A	91311-003	1	Panel Assy 208V
240B	91311-002	1	Panel Assy 240V
244	91397-000	1	Transformer
249A	91472-001	1	Front Panel Only - 208V
249B	91472-000	1	Front Panel Only - 240V
252	91429-400	1	4-Wire Receptacle (Octopus)
253	91374-000	1	Voltmeter - 208V
253	91370-000	1	Voltmeter - 240V
255	57030-000	1	Circuit Breaker 50A, 240V
257	57325-000	1	Receptacle Nema 6-50R
258	91286-000	1	Circuit Breaker 15A, 120V
259	24749-000	1	Receptacle Nema 5-15R
263	81096-005	1	Circuit Breaker 200A
267	91861-000	1	Plug (Octopus) 225A
268	91350-000	1	Retainer Plate
512	91337-000	1	Cover (Impeller)
514A	91293-002	1	Stator Assy - 208V
514B	91293-001	1	Stator Assy - 240V
515	91212-000	1	End Bracket
516	91211-001	1	Retainer

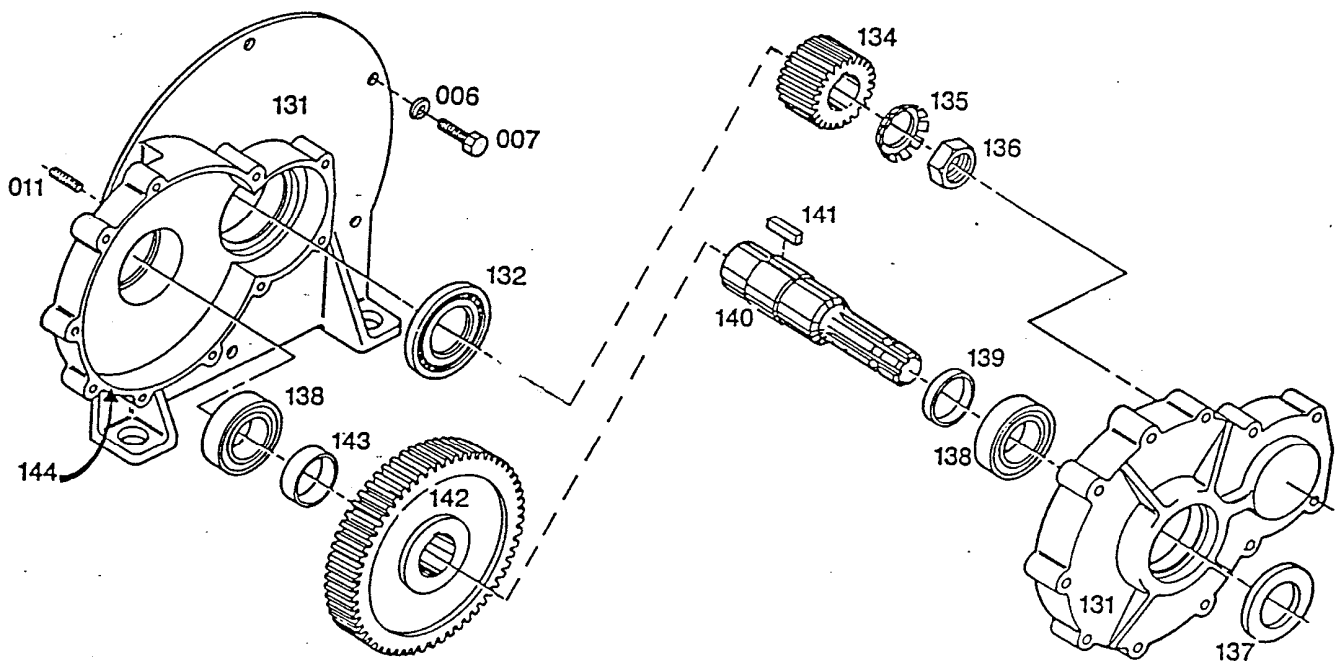
517	21264-000	3	Spacer
530	91304-000	1	Rotor Assembly
532	91111-000	1	Bearing
533	91101-000	1	Impeller
534	91112-000	1	Bearing (Drive End)
536	91196-000	1	Retainer
570	91451-000	1	Excitation Assy
571	91452-000	1	Rectifier
572	91211-002	1	Ring (Brush Holder)
573	23532-000	2	Spacer (Fiber)
574	23607-000	4	AC Brush (1/4 X 3/8)
575	59690-000	4	Brush Holder
*	59688-000	4	Barrier Spacer
*	Z25081	2	Decal
*	Z25082	1	Decal

* Not Illustrated

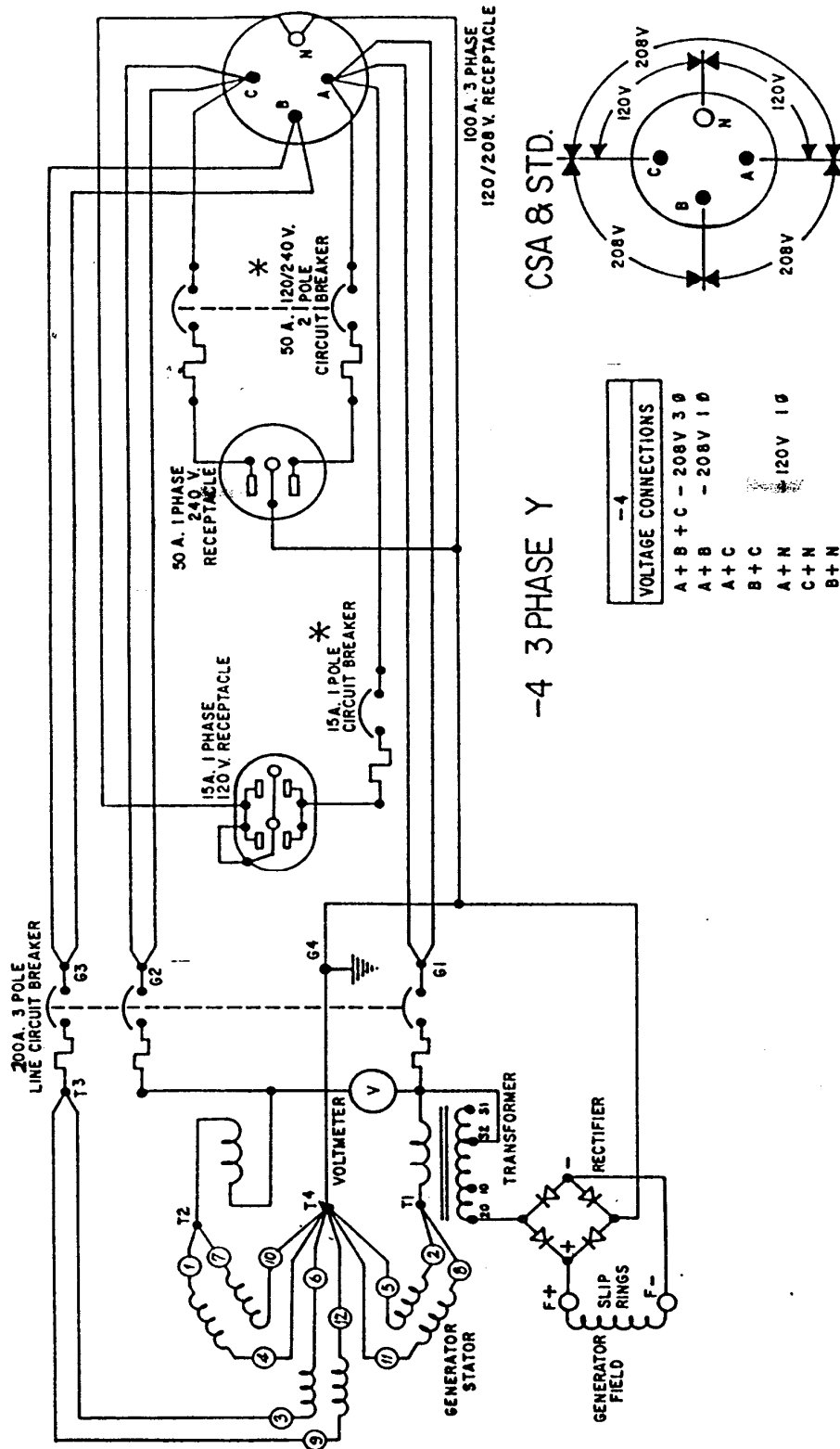
UNIT MODEL #	WP75FPTOT/D	WP75FPTOT/J
AC RESIDUAL VOLTS	7.0 VAC L-L	7.0 VAC L-L
FIELD RESISTANCE	5.36 OHMS	5.36 OHMS
SCHEMATIC DIAGRAM	B-91323	B-91323
WINDING SPEC. (SS#)	1347	1314
ARM. CONNECTION (AC#)	317	316

GEAR CASE ASSEMBLY

REF #	PART NUMBER	QTY	DESCRIPTION
006	90570-000	4	Lock Washer
007	91256-000	4	Cap Screw
011	91138-000	2	Stud
131	91103-000	1	Support & Cover
132	91116-000	1	Seal (Rotor Shaft)
134	91292-000	1	Gear (1000 rpm pinion)
135	91289-000	1	Lock washer
136	91290-000	1	Nut
137	91247-000	1	Seal (Cover)
138	91111-000	2	Bearing
139	91108-001	1	Spacer (Front)
140	91344-000	1	Shaft
141	91117-000	1	Key
142	91248-000	1	Gear (1000 rpm Input)
143	91108-002	1	Spacer (Rear)
144	91104-000	1	Gasket
*	40716-000	1	Breather
*	Not Illustrated		



WIRING DIAGRAM WP75FPTOT/D



-4 3 PHASE Y
CSA & STD.

-4 VOLTAGE CONNECTIONS	
A + B + C	- 208V 3 Ø
A + B	- 208V 1 Ø
A + C	
B + C	
A + N	120V 1 Ø
C + N	
B + N	

