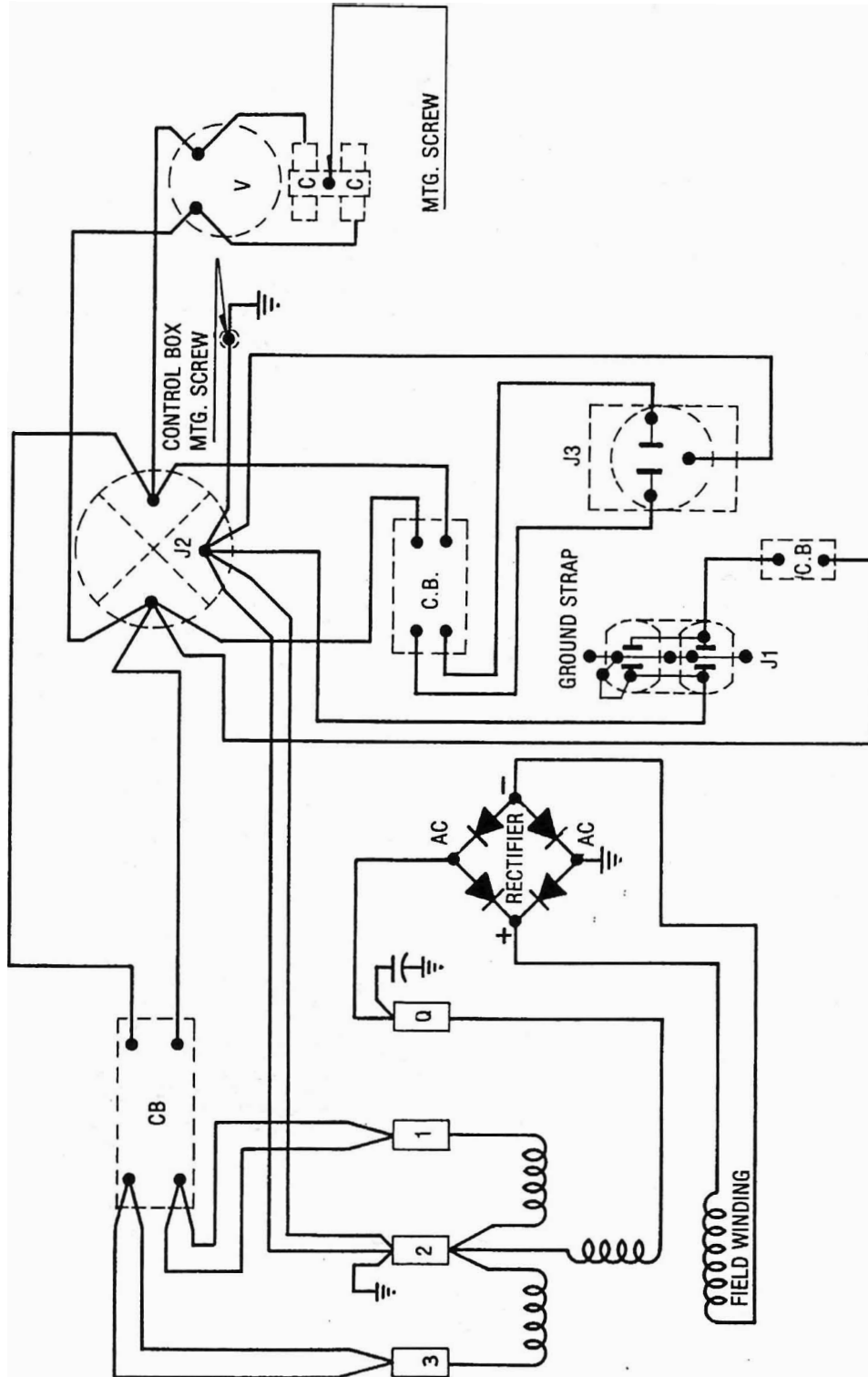
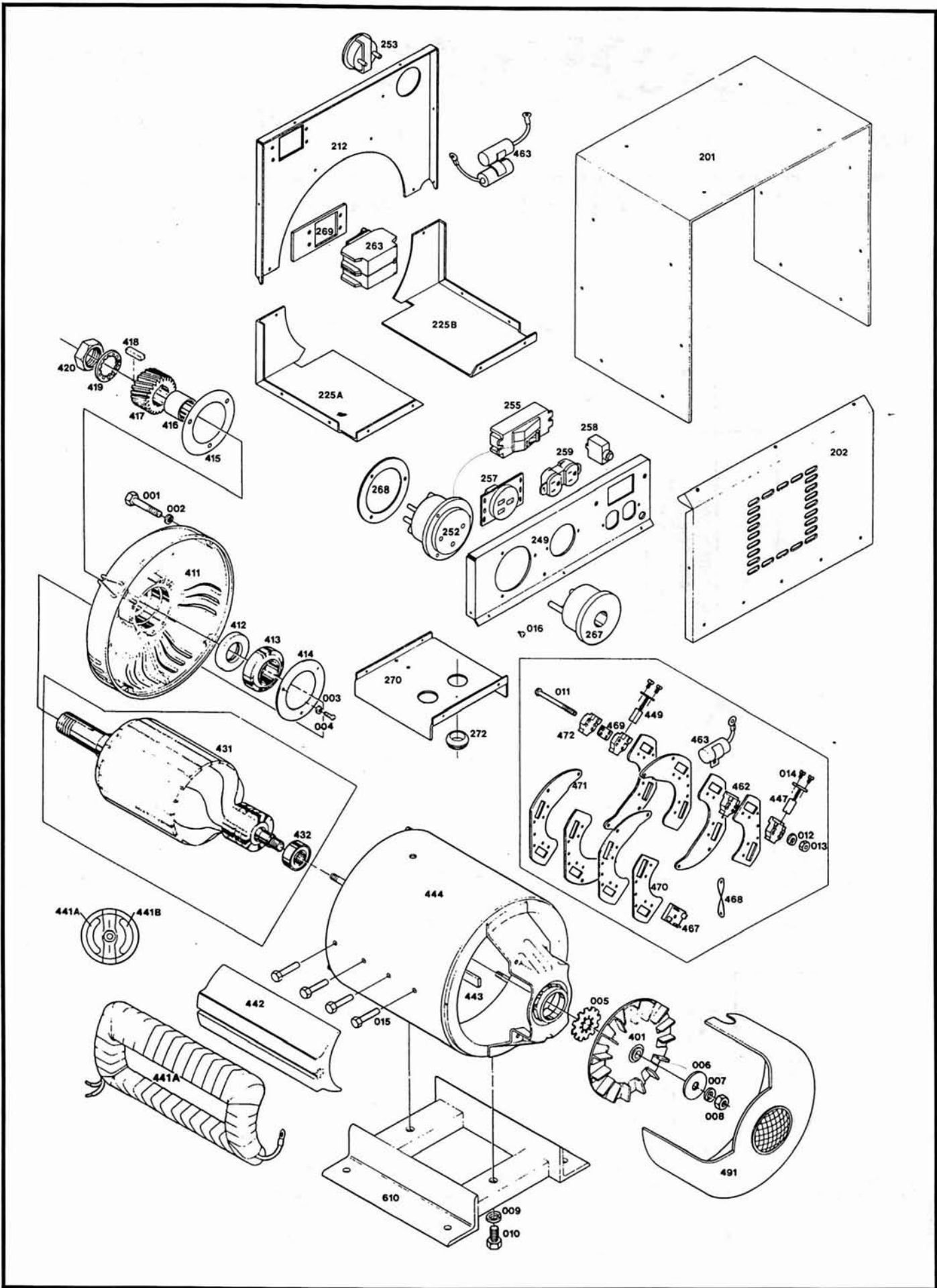


## PARTS LISTS & WIRING SCHEMATIC





# GENERATOR REPLACEMENT PARTS LIST

REF	DESCRIPTION	QTY	PART NBR.	REF	DESCRIPTION	QTY	PART NBR.
001	Cap Screw 5/16"-18x2 3/4	4	51101-000	401	Fan Assembly	1	23404-000
002	Lockwasher 5/16"	4	480-000	411	End Bracket	1	51046-002
003	Lockwasher Split Type 1/4"	3	479-000	412	Oil Seal	1	46912-000
004	Machine Screw	3	45633-000	413	Bearing	1	46913-000
005	Lockwasher 11/16 Int.	1	40552-000	414	Retainer Plate	1	44318-000
006	Flat Washer	1	21867-000	415	Gasket	1	20136-000
007	Lockwasher	1	20039-000	416	Spacer	1	20137-000
008	Hex Nut 1/2-20	1	9549-000	417	Pinion Gear	1	46545-000
009	Lockwasher	2	636-000	418	Key	1	20159-000
010	Cap Screw 1/2-13 x 1	1	48178-000	419	Lockwasher	1	20139-000
011	Machine Screw	4	44342-000	420	Hex Jam Nut	1	20160-000
012	Lockwasher	5	6376 -000	430	Armature Assembly	REF	N/A
013	Hex Nut 8-32	5	5113-000	431	Armature	1	52497-001
014	Machine Screw	28	40746-000	432	Bearing	1	50215-000
015	Cap Screw 7/16-20 x1 3/4	8	43781-000	440	Field Shell & Coil Assembly	1	61368-000
016	Screw	25	54806-000	441A	Field Coil	1	52563-000
200	Control Panel Assembly	REF	61000-013	441B	Field Coil	1	52563-001
201	Cover	1	60944-002	442	Pole Shoe	2	43473-000
202	Front Cover	1	64694-001	443	Pole Shoe Retainer	2	43474-000
212	Upper Rear Panel	1	61111-001	444	Field Shell	1	61153-000
225A	Left Lower Rear Panel	1	61216-001	447	AC Brush	12	24981-000
225B	Right Lower Rear Panel	1	61216-002	448	Lead Shield		N/A
249	Bare Front Panel	1	61110-001	449	Brush "Q"	2	53949-000
252	Full Power Receptacle	1	91333-400	460A	Brush Rack Assembly	1	53977-000
253	Voltmeter	1	52490-000	460B	Brush Rack Assembly	1	53977-001
255	Circuit Breaker 240 V, 50 A.	1	57030-000	462	Brush Holder	12	23500-002
257	Receptacle (NEMA 6-50R)	1	57325-000	463	Condenser	3	41221-000
258	Circuit Breaker 120 V, 15 A.	1	91286-000	467	Rectifier	1	91452-000
259	Receptacle (NEMA 5-15R)	1	24749-000	468	Ground Strap	1	41387-007
263	Circuit Breaker 240 V, 100A.	1	58805-004	469	Spacer	14	23532-000
267	Full Power Plug	1	91357-000	470	Brush Holder Spacer	2	52559-000
268	Receptacle Backing Plate	1	91350-000	471	Mounting Plate	6	53975-000
269	Circuit Breaker Mtg Plt		N/A	472	Brush Holder "Q"	2	23500-000
270	Saddle Assembly	1	60951-001	491	End Cover	1	55007-000
272	Grommet	2	23917-000	610	Base	1	51147-000
400	Generator	REF	61367-000				

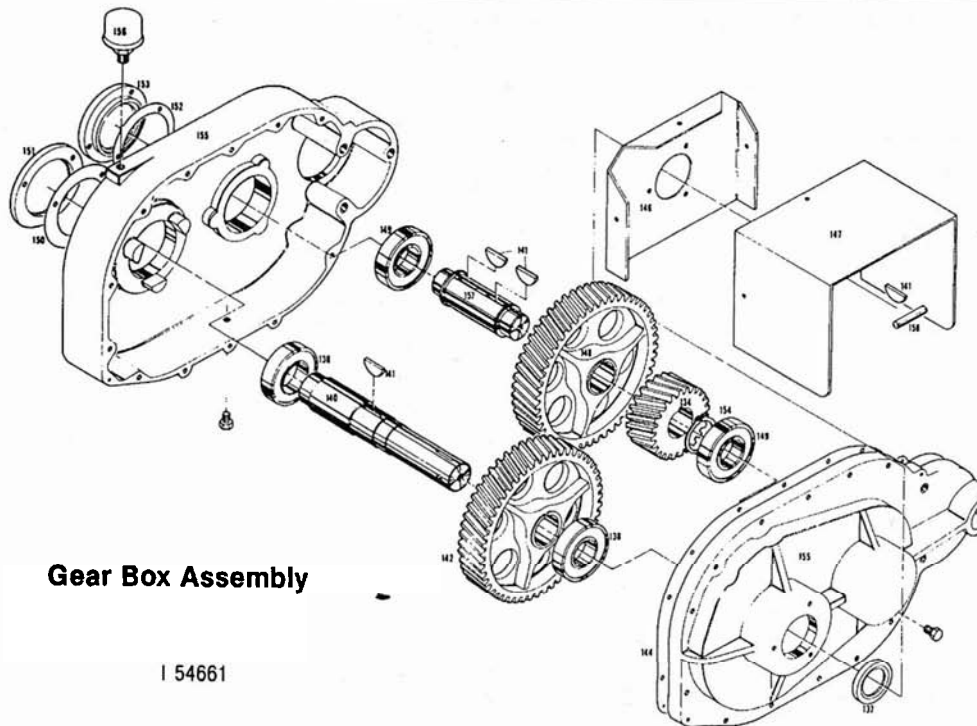
## TECHNICAL DATA

### Generator Specifications:

kW - 25; Volts -120/240; Amps - 104; PH - 1; Hz -60;  
 Input - 540/1000 RPM; Generator - 3600 RPM

### Resistances:

Field Coils 20.2 - 22.4 Ohms; Excitor Volts - 110, Amps 4.9  
 Armature (Q Winding) .128 - .140 Ohms, (G1 to N & G3 to N) .025 - .0275 Ohms



### Gear Box Assembly

I 54661

REF	DESCRIPTION	QTY	540 RPM PART NBR.	1000 RPM PART NBR
130	Gear Box Assembly	1	54661-400	54661-401
134	Pinion Gear	1	46547-000	44833-000
137	Seal	1	20029-000	20029-000
138	Bearing	2	64562-000	64562-000
140	Shaft (Input Drive)	1	46296-000	46296-000
141	Woodruff Key	4	1774-000	1774-000
142	Gear (input Drive)	1	46548-000	46546-000
144	Gasket (Cover)	1	20016-000	20016-000
146	Backing Plate	1	56207-000	56207-000
147	Safety Shield	1	53332-000	53332-000
148	Gear (Driven)	1	46546-000	46546-000
149	Bearing	2	54665-000	54665-000
150	Gasket	1	46299-000	46299-000
151	Retainer	1	46295-000	64580-000
152	Gasket	1	46298-000	46298-000
153	Retainer	1	46286-000	46286-000
154	Snap Ring	1	20133-000	20133-000
155	Gear Case & Cover (Matched)	1	54662-000	54662-000
156	Breather	1	40716-000	40716-000
157	Shaft (Driven)	1	20128-000	20128-000
158	Roll Pin	1	4133-000	4133-000

**WINPOWER**  
A Division of DTE Dyna Technology Inc

507-357-6700