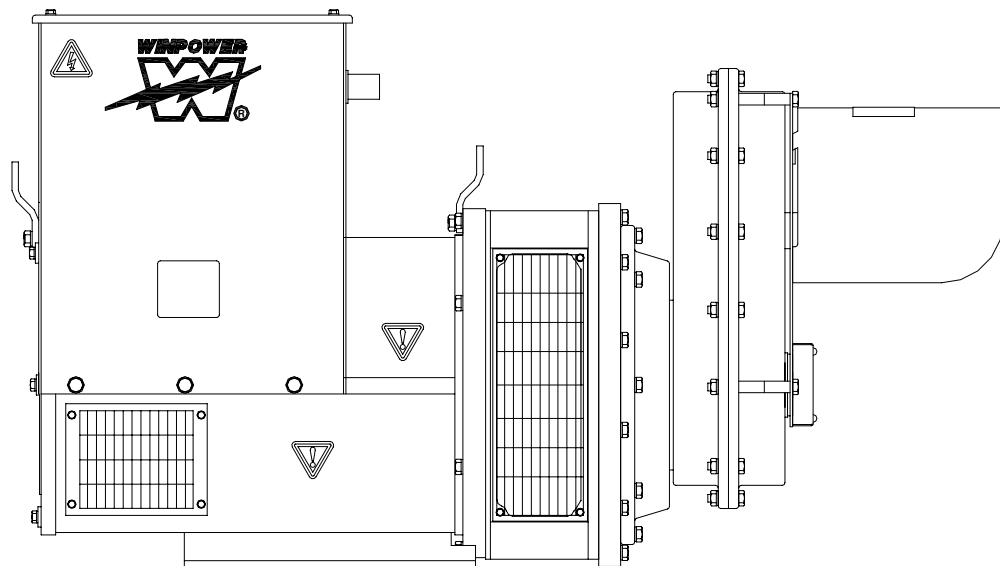


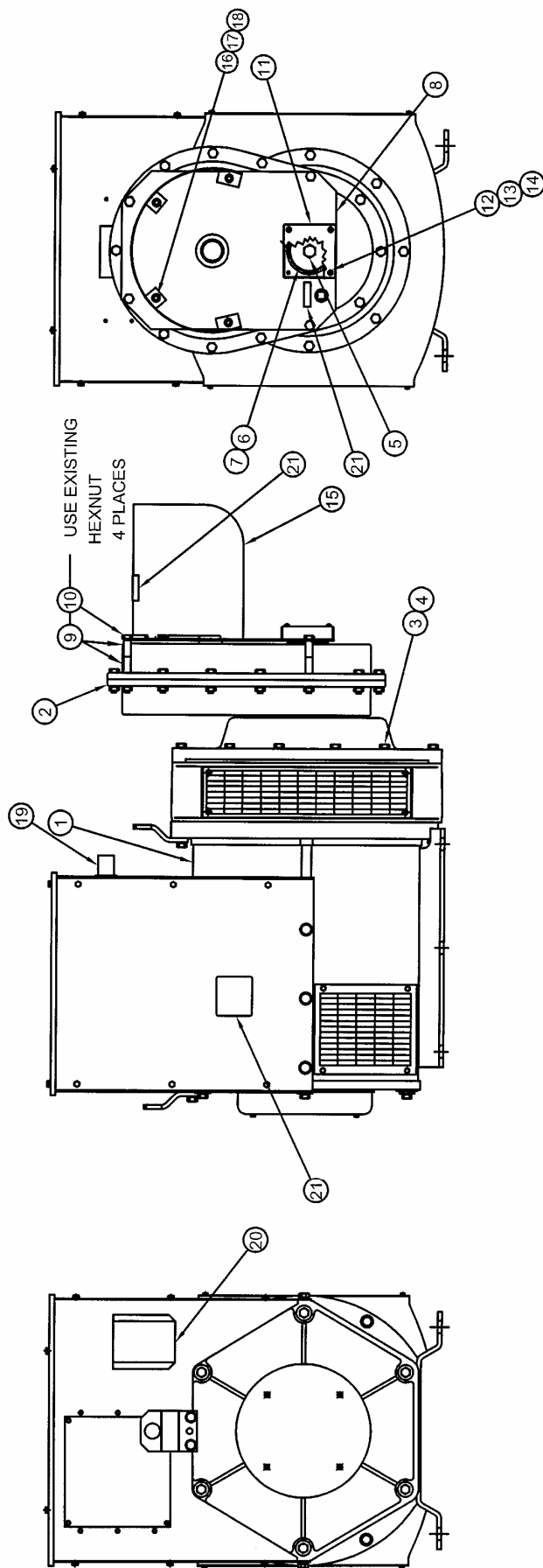
WINPOWER

*A Division of **DTE** Dyna Technology Inc*

PARTS LIST

WP165FPTOT-18/B

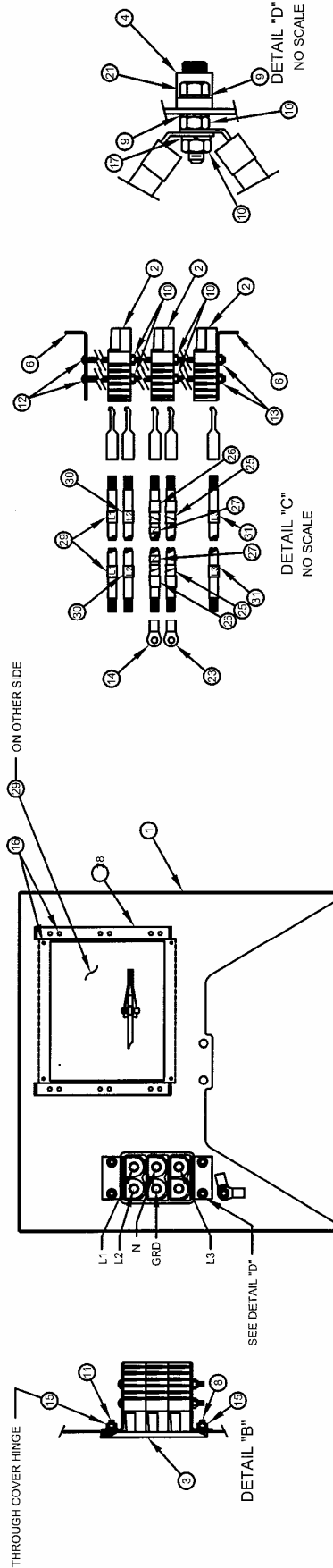




GENERATOR ASSEMBLY

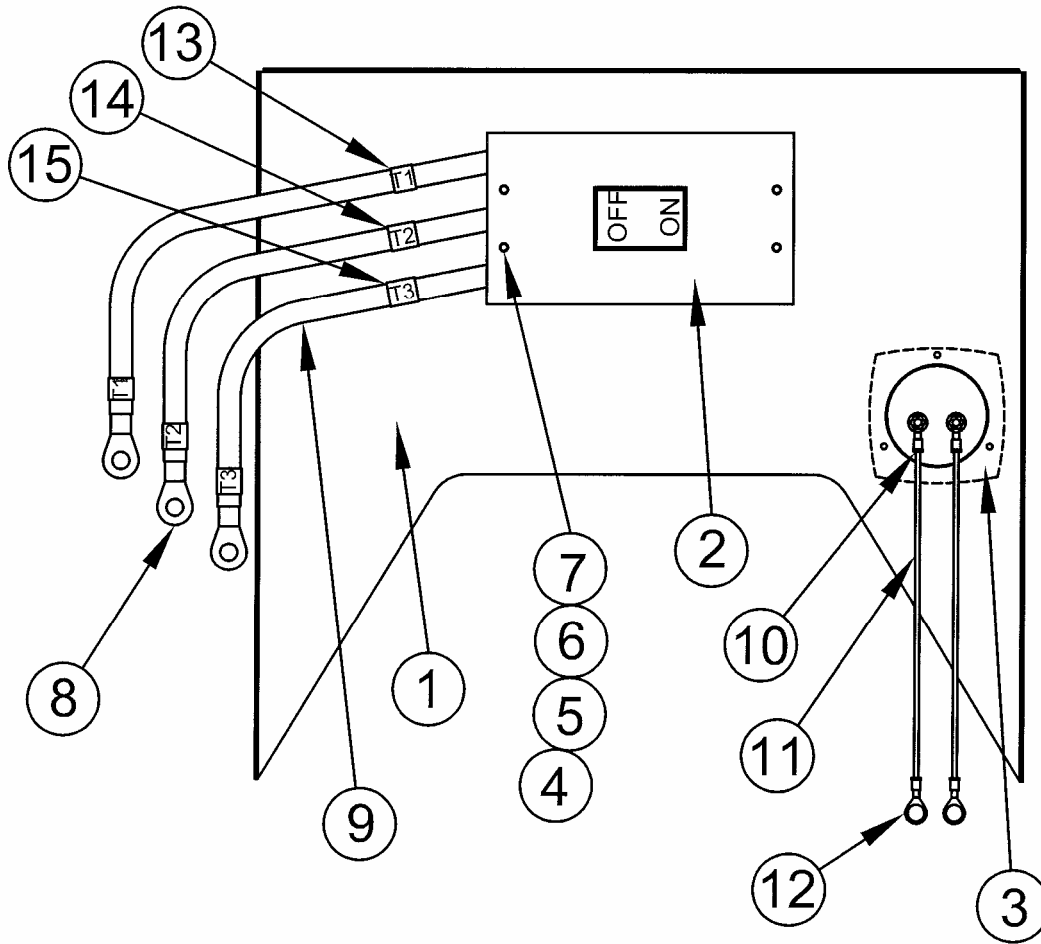
27	A-64914-000	16	M6 RETAINER NUT
26	1744-000	4	1/2-13 HEXNUT (SHIPPING)
25	21867-000	4	1/2 FLATWASHER (SHIPPING)
24	A-61603-005	4	1/2-13 X 2-1/2 CARRIAGE BOLT (SHIPPING)
23	A-BP-10099	1	PLUG KIT (SHIPPED LOOSE)
22	60708-124	1	OPERATOR'S MANUAL
21	B-64894-006	1	DECAL AND NAMEPLATE INSTALLATION
20	B-300113-11	1	RECEPTACLE PANEL ASSEMBLY
19	B-300101-16	1	MAIN LINE BREAKER PANEL ASSEMBLY
18	A-16249-000	4	5/16-18 HEX FLANGENUT
17	526-000	4	5/16 FLAT WASHER
16	465-000	4	5/16-18 X 7/8 HEX HEAD BOLT
15	S-7606	1	PTO SHAFT GUARD
14	484-000	4	#10 SPLIT LOCKWASHER
13	456-000	4	#10-24 HEX NUT
12	A-52464-002	4	#10-32 X 1-1/2 ROUND HEAD SCREW
11	A-300105	1	LOWER SHAFT GUARD
10	A-91658-015	4	3/8-16 X 4 HEX HEAD BOLT
9	A-62825-004	8	SPACER
8	A-300104	1	PTO SHAFT GUARD SUPPORT PLATE
7	A-300096	1	SHAFT WASHER
6	A-300106-1	1	BELLEVILLE WASHER, 5/8"
5	A-350096-60	1	M16-2.00 X 60MM HEX HEAD BOLT
4	A-97436-010	12	M10 SPLIT LOCKWASHER
3	A-94282-035	12	M10 X 1.50 X 35 MM HEX HEAD BOLT
2	B-300100-2	1	GEARCASE
1	B-351811-4	1	GENERATOR
ITEM	PART NO	QUAN.	DESCRIPTION

RECEPTACLE PANEL ASSEMBLY



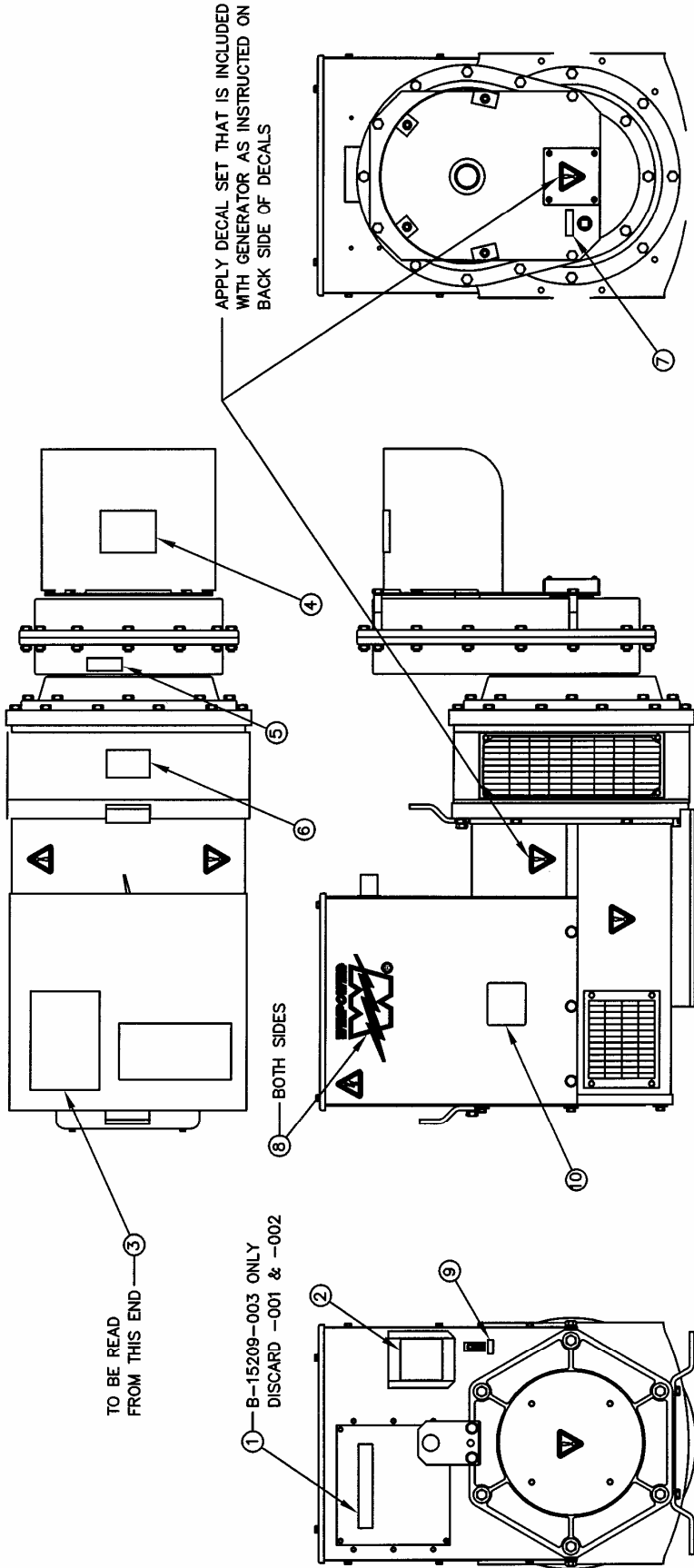
ITEM	PART NO	DESCRIPTION	QUAN.	ITEM	PART NO	DESCRIPTION	QUAN.
31	B-24862-015	4	LEAD I.D. TAPE - L3				
29	B-24862-013	4	LEAD I.D. TAPE - L1	30	B-24862-014	4	LEAD I.D. TAPE - L2
27	B-24862-078	2	LEAD I.D. TAPE - N	28	A-64893-000	2	REGULATOR BRACKET
25	A-59320-000	92FT	GREEN TAPE	26	A-80733-000	2.75FT	WHITE TAPE
23	A-91321-001	2	TERMINAL LUG	24	A-64892-000	1	COVER PLATE
21	439-000	1	HHCS, 1/4-20 x 1	22	A-80726-000	2.67FT	#2 GA BLACK LEADWIRE
19	A-91321-000	2	TERMINAL LUG	20			
17	479-000	1	1/4 SPLIT LOCKWASHER	18			
15	A-16248-000	6	1/4-20 FLANGE HEXNUT	16	A-21698-001	14	#10 X 3/8 TYPE Z SHEET METAL SCREW
13	47517-000	2	LOCKNUT	14	A-99823-001	2	TERMINAL LUG
11	A-94980-001	2	1/4-20 X 5/8 THREADSTUD	12	A-61993-003	2	1/4-20 X 5 ROUND HEAD SCREW
9	4516-000	2	1/4" EXTERNAL LOCKWASHER	10	638-000	4	1/4-20 HEXNUT
7				8	463-000	4	1/4-20 X 1 HEX HEAD BOLT
5	A-300114	6.67FT	3/0 AWG BLACK LEADWIRE	6	A-300117	2	SUPPORT, CONNECTOR
3	(A)G-7213-2	1	COVER ASSEMBLY	4	A-63708-000	1	TERMINAL LUG
1	B-300111-6	1	PANEL, FRONT	2	EE-2334-1	3	HOUSING & CONTACTS
ITEM	PART NO	DESCRIPTION	QUAN.	ITEM	PART NO	DESCRIPTION	QUAN.

CIRCUIT BREAKER ASSEMBLY



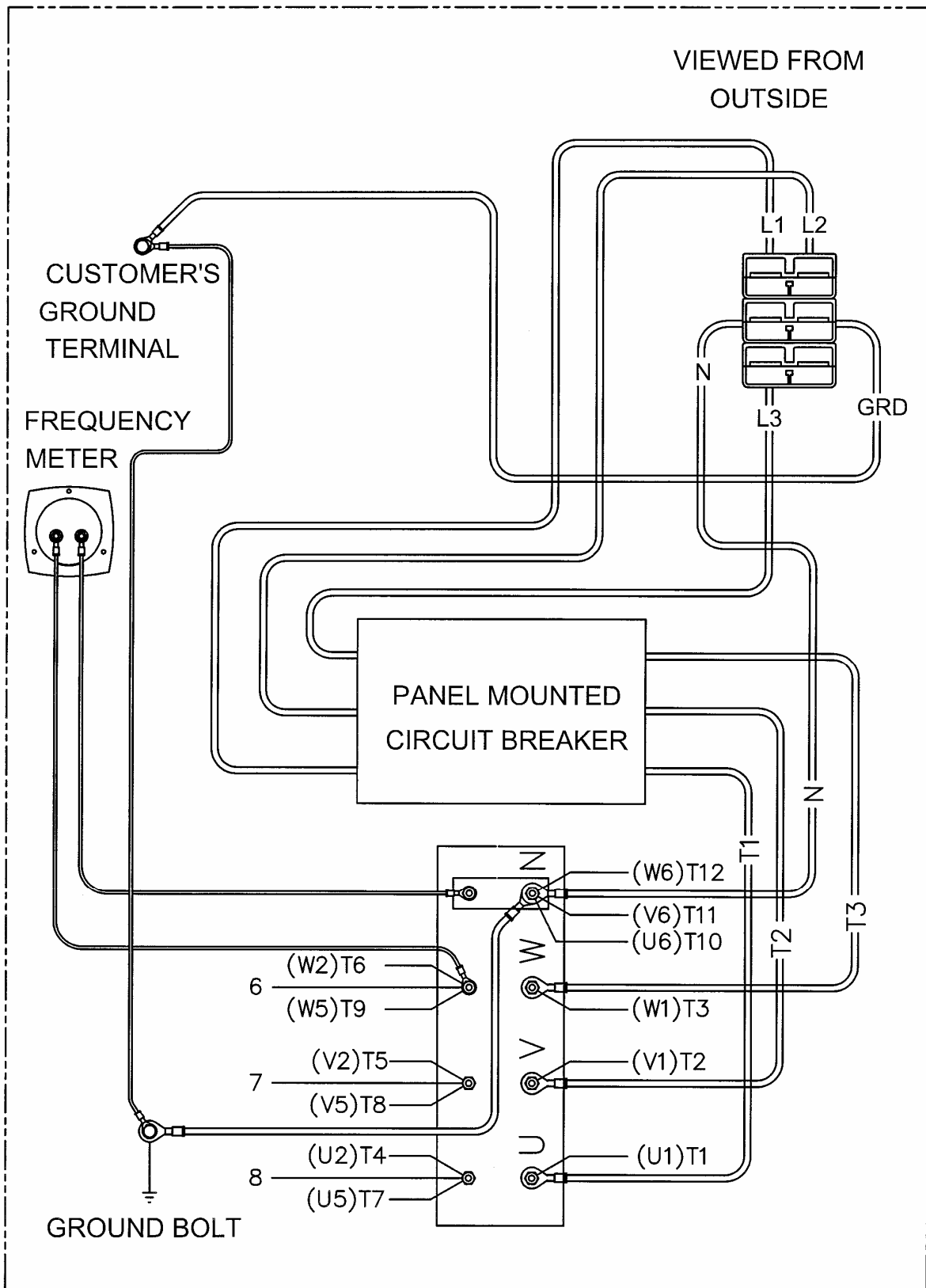
15	A-24862-012	4	LEAD I.D. TAPE (T3)
14	A-24862-011	4	LEAD I.D. TAPE (T2)
13	A-24862-010	4	LEAD I.D. TAPE (T1)
12	A-91457-002	2	TERMINAL LUG
11	A-12624-000	1.7FT	LEAD WIRE (16 GA.)
10	A-4158-000	2	TERMINAL LUG
9	B-91450-000	4.4FT	LEAD WIRE (#1 AWG)
8	A-91321-000	3	TERMINAL LUG
7	598-000	4	FW #10
6	484-000	4	SLW #10
5	6372-000	4	HN 10-32
4	24864-000	4	RHMS 10-32 x 4 1/2
3	A-300102	1	FREQUENCY METER
2	A-81097-028	1	250 A, 3 POLE, 600V CIRCUIT BREAKER
1	B-350098-3	1	PANEL, MLB
ITEM	PART NO	QUAN.	DESCRIPTION

DECAL INSTALLATION



ITEM	PART NO	QUAN.	DESCRIPTION
10	A-63966-008	1	NAMEPLATE KIT
9	A-15750-001	1	GROUND DECAL
8	Z-25081	2	WINPOWER DECAL
7	A-16303-000	1	DECAL, OIL LEVEL
6	A-91369-001	1	DECAL, 1000 RPM
5	Z-9941	1	DECAL, OIL FILL
4	Z-2568	1	DECAL-DANGER PTO
3	Z-2553	1	DECAL, OPERATING INSTRUCTIONS
2	Z-2527-3	1	DECAL, ANDERSON THREE PHASE
1	B-15209-000	1	DECAL SET
ITEM	PART NO	QUAN.	DESCRIPTION

WIRING DIAGRAM



WIRING DIAGRAM (THREE PHASE WYE "12 WIRE"; 277/480)