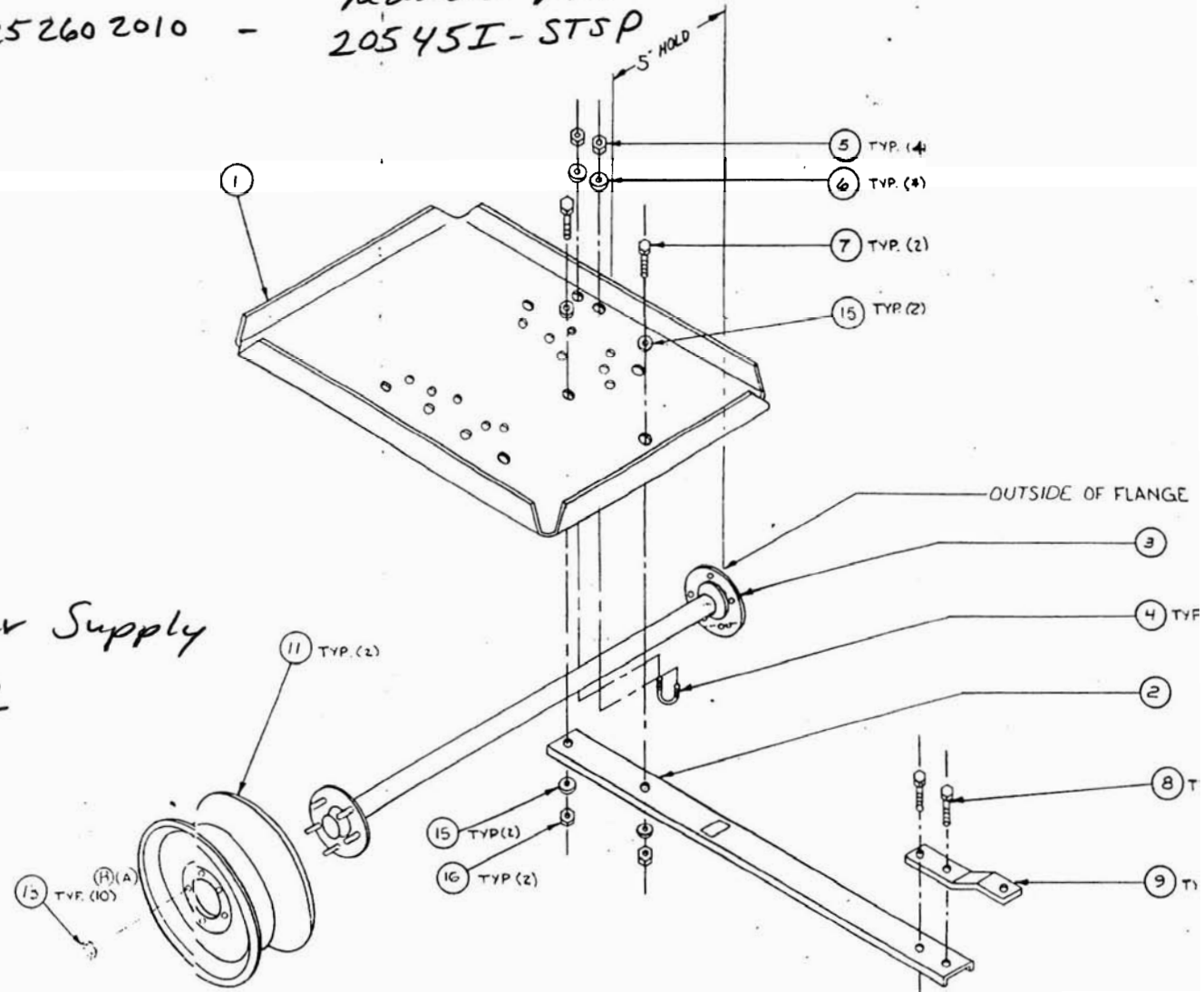


TDM-73

FIND NO.	PART NO.	NAME	REQ'D
1	2521010	BASE PAN	1
2	25210020	TONGUE	1
3	252602010	AXLE ASSEMBLY	1
4	252003010	AXLE CLAMP	INCLUDED IN (2)
(A) 5	252003010	LOCKNUT (5/16-18)	INCLUDED IN (2)
(A) 6	252003010	WASHER (5/16)	INCLUDED IN (2)
7	252003030	SCREW (1/2-13x4)	INCLUDED IN (2)
8	252003020	SCREW (5/8-11x2)	INCLUDED IN (2)
9	25210030	TONGUE END	2
10	252002070	LOCKNUT (5/8-11)	INCLUDED IN (2)
11	252602020	WHEEL RIM	2
12	252003000	PARTS BAG	1
(B) 13	252003040	LUG NUT	INCLUDED IN (2)
14	254005010	CARTON	1
(C) 15	252003110	WASHER (1/2)	INCLUDED IN (2)
16	252003060	LOCKNUT 1/2-13	INCLUDED IN (2)
17	254005011	CARTON PAD	1

Redneck Pln
252602010 - 20545I-STSP



Redneck Trailer Supply
320-654-1972

TDM-73
PTO TRAILER

AXLE ASSEMBLY (3) TOGETHER SECURE LOOSELY WITH U-BOLT (4),
NUT (5).
ATTACH TONGUE (2) ONTO ASSEMBLY COMPLETED IN STEP 1. SECURE LOOSELY WITH
WASHER (10) AND FLAT WASHER (15) ALSO.
ATTACH TONGUE END (9) ON BASE PAN, THEN TIGHTEN ALL FASTENERS.
TONGUE, SECURE WITH SCREW (7) AND LOCKNUT (6).
WHEEL NUTS (13).