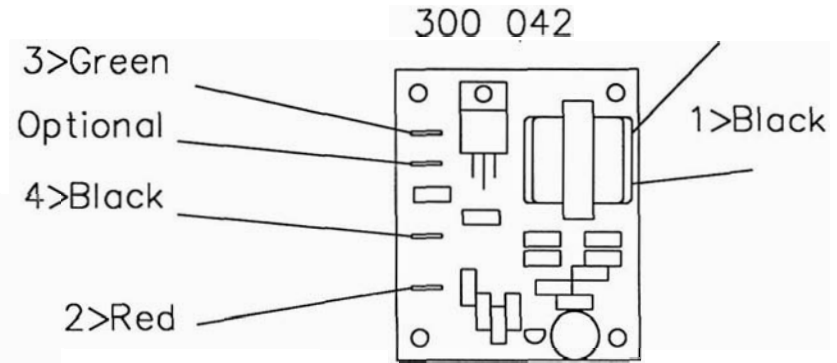
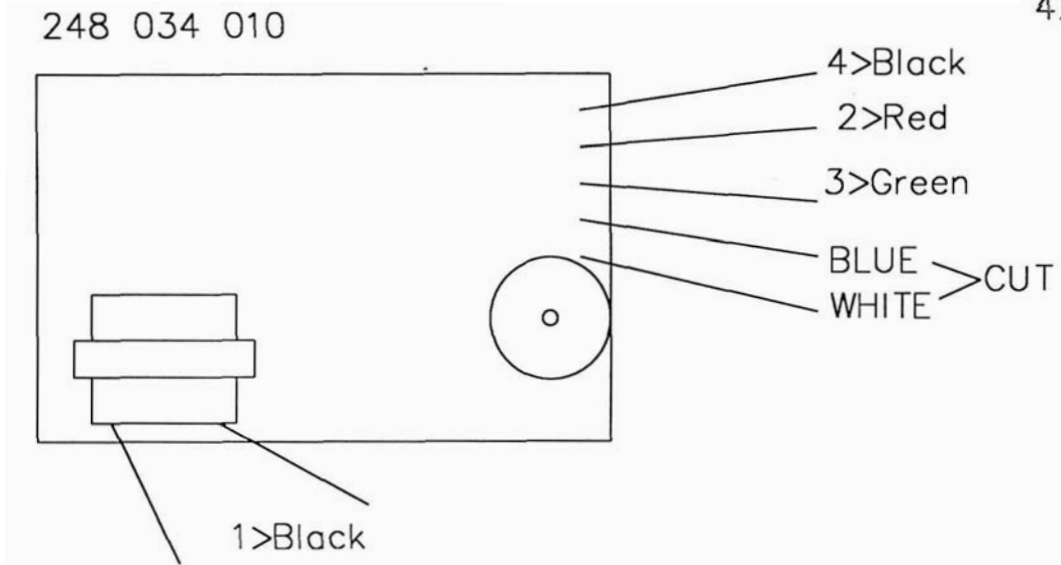


300042CV

WinPower Economizer

248 034 010 >> 300 042
Conversion wiring

REVISION RECORD					
ISSUE	E.C.O. NO.	DESCRIPTION	DATE	BY	APPR.
A	---	ORIGINAL	----	---	---



- 1>Move Black lead from old to new transformer
- 2>Red Lead - Hot (fused) AC power input from switch
- 3>Green Lead - Neutral AC power input / Ground
- 4>Black Lead - to Economizer solenoid lead
- White & Blue leads - Disconnect & CUT - NOT USED

UNLESS OTHERWISE SPECIFIED		MACHINED SURFACE TEXTURE		ALL DIMENSIONS GIVEN IN INCHES			
FRACTIONS ±	—	ANGULAR	±	WORK TO DIMENSIONS			
1. PLACE DEC. ±	.1			- DO NOT SCALE -			
2. PLACE DEC. ±	.015						
3. PLACE DEC. ±	.005						
THIS DRAWING CONTAINS PROPRIETARY INFORMATION BELONGING TO WINPOWER. UNAUTHORIZED USE IS PROHIBITED.	DRAWN BY	DATE	CHK'D BY	DATE	APP'D BY	DATE	SCALE
	JMH	4/04/98	JMH	4/06/98			NONE
	MATERIAL: 300043						
	FINISH	----	TITLE				
ASSY	----	ECONOMIZER BOARD CONVERSION DRAWING					
MODEL	PRE '97 CD/COV	PART NO.					
WINPOWER						300042CV	