

PARTS LIST
 PANEL BACK ASSY
 G-5738 (GR6W4-C)
 G-5738-1 (GR6W4-D)

<u>FIND NO.</u>	<u>PART NO.</u>	<u>DESCRIPTION</u>	<u>REQ'D/UNIT</u>
1	G-5838-3	Panel Weld Assembly	1
2	EE-1804	Circuit Breaker (GR6W4-C)	1
2	EE-1842	Circuit Breaker (GR6W4-D)	1
3	EE-779	Filler Plate (GR6W4-D)	1
4	S-5027-1	Mounting Plate	1
5	EE-658	Terminal Board	1
6	EE-658-1	Marker Strip	1
7	EE-1671	Lug	4
8	G-4862-5	Rectifier Assy (Series)	2
9	G-4862-6	Rectifier Assy (Shunt)	1
10	S-6305	Spacer	6
11	EE-1677	Terminal Board 4P	1
12	EE-1677-1	Marker Strip	1
13	EE-660	Terminal Board 12P	1
14	EE-660-1	Marker Strip	1
15	EE-645	Terminal Board 2P	1
16	EE-645-1	Marker Strip	1
17	R-107	Resistor 10 Ohm 25W	1
18	R-217	Resistor 0.8 Ohm 40W	1
19	EE-166	Start Switch	1
20	EE-151	Switch, Hi-Lo Batt	1
21	EE-425	Fuseholder	1
22	EE-445	Fuse	1
23	EE-1951	Transformer Batt Chg	1
24	G-4581	Rectifier Assy Batt Chg	1
25	AM-100	Ammeter Batt Chg	1
26	G-5183-1	Diode Assembly	3
27	EE-1207-1	Relay Socket	1
28	EE-1207-2	Holddown Spring	1
29	EE-1207-3	Relay - MR	1
30	4957	Tinnerman	7
31	EE-441	Fuse (Field Flashing)	1
32	EE-416	Fuse Block	1
33	R-95	Resistor (Field Flashing)	1

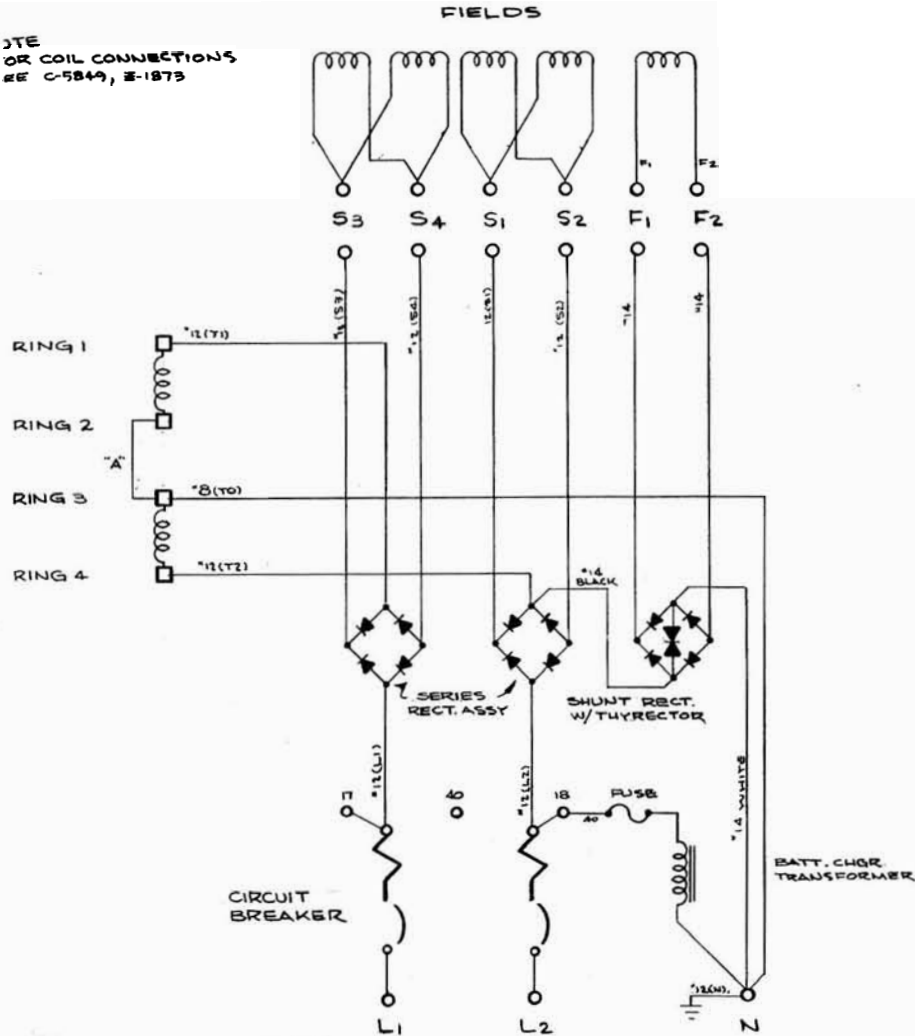
Wiring Diagram (GR6W4-C) C-6140

Wiring Diagram (GR6W4-D) C-6191

Parts Drawing E-8626

GR 6W4-C & D

JTE
OR COIL CONNECTIONS
REF C-5849, E-1873



ADDED FUSE RESISTOR	3-26-73	F.C.
CHG TO 25W 1/2" X 3/8" X 1/2"	5-2-72	FSC
ADDED SSC & K1	9-25-71	T.C.G.
SC (D) 14MS 120V	7-18-71	JFP
REMOVED SHUNT COIL	6-16-70	J.F.P
THYRECTOR ADDED TO D.C.	1-16-70	JFP
ADDED STOP INDICATOR SW1	10-1-69	T.G.
NO. WAS ORIGINALLY	DATE	CHE'D

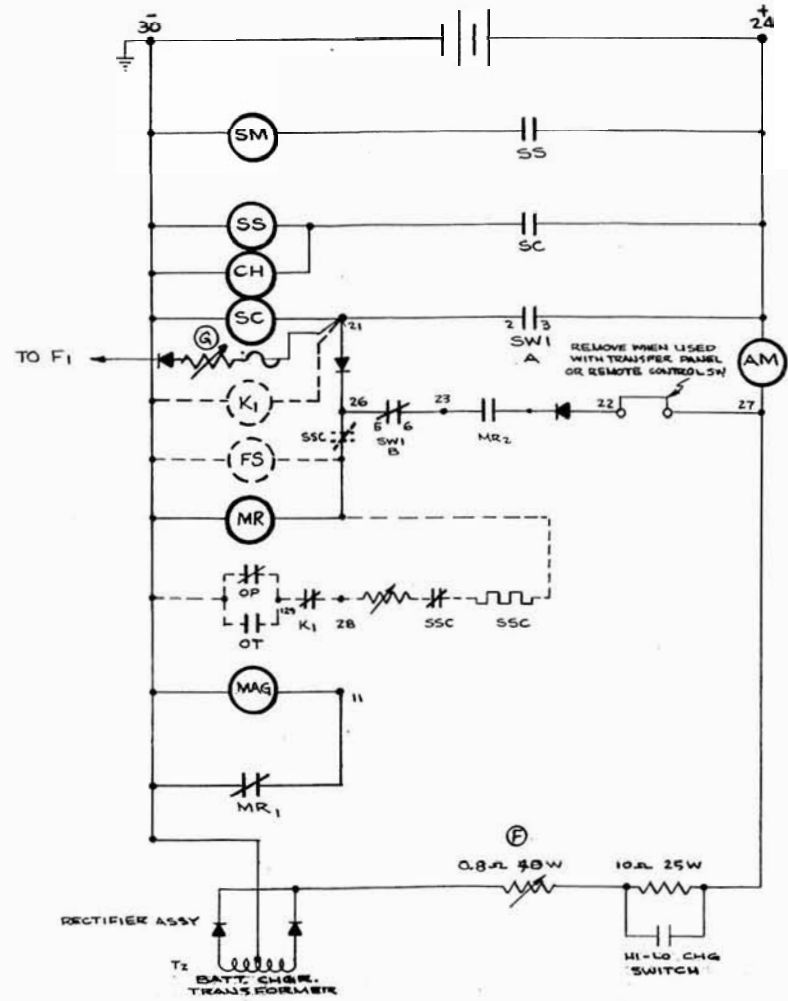
FOR RECONNECTION TO 125V
SEE DRAWING E-1881, C-5866

NO. REQ'D.	MICROFILM DATA	JUL 20 1977
		JUL 10 1970

PERFORMANCE ON DIMENSIONS NOT SPECIFIED
DECIMAL ±
FRACTIONAL ±
ANGULAR ±

REMOVE ALL BURRS
BREAK ALL SHARP
MACHINED EDGES

MATERIAL



LEGEND

- AM AMMETER, BATT. CHGR.
- CH CHOKE
- MAG MAGNETO
- MR MAGNETO RELAY
- SC START CONTACTOR
- SM START MOTOR
- SS START MOTOR SOLENOID
- FS FUEL SOLENOID (WHEN REQ'D)
- SW1 START STOP SWITCH

IC 6140

SW1 SWITCH LEGEND	
A0-1-0	START RUN STOP
B0-1-0	X X

WIRING DIAGRAM

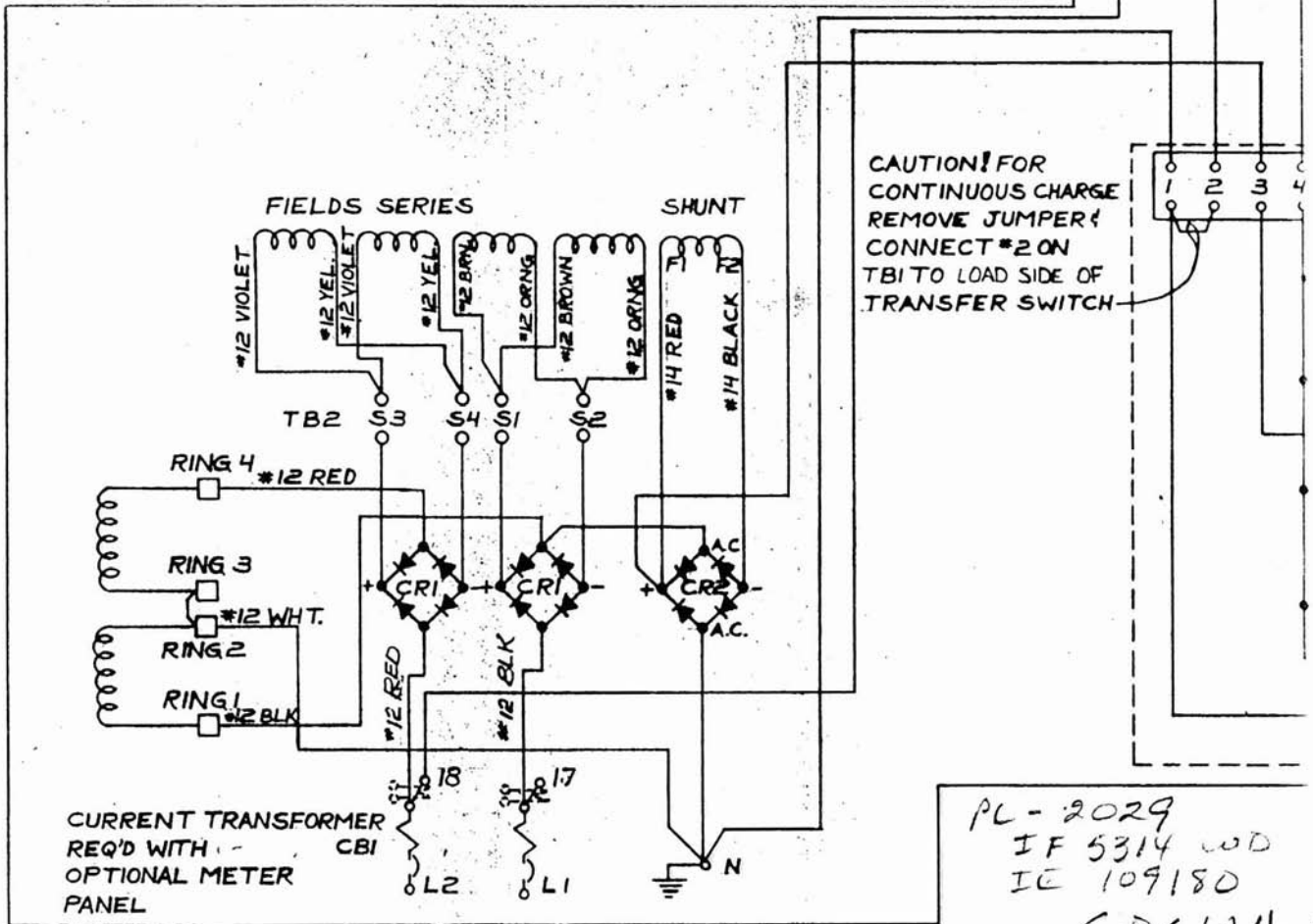
SCALE	MODEL NO.
DATE: 8-1-69	PART NO. B-207
DRAWN BY: J.F.P.	CHECKED BY:
WINGPOWER MFG CO.	

2-2073

11/79

IF 5314a

REF. NO.	PART NO.	DESCRIPTION
BT1	VARIOUS	BATTERY
CH	SUPP WITH ENGINE	ELEC. CHOKE
FS	EE-1152	FUEL SOLENOID
HT	SUPP WITH ENGINE	HIGH TEMP SHUT DOWN
LO	EN-2587	LOW OIL PRESS. SHUT DOWN
MAG.	SUPP WITH ENGINE	MAGNETO
SC	EE-1201	START CONTACTOR
SM	SUPP WITH ENGINE	START MOTOR
VS	EN-2302	VACUUM SWITCH
CONTROL CABINET PARTS		
BTC1	G-7219-10	BATTERY CHARGER
C1	EE-513	CAPACITOR
CBI	EE-1804	CIRCUIT BREAKER
CB2	EE-2800	OVERCRANK BREAKER
CR1	G-4862-9	RECTIFIER ASSY.
CR2	EE-2214	RECTIFIER ASSY.
D1,D2,D6	NA	DIODE
D3,D4,D5	NA	SILICON RECTIFIER
K1	EE-1219,EE-1220	SOCKET & RELAY-CRANKING TERMINATION
K2	EE-1207-1,EE-1207-3	SOCKET & RELAY START, STOP
SW1	EE-181	SWITCH ENGINE START, OFF & REMOTE
TB1	EE-660	TERMINAL BOARD
TB2	EE-654	TERMINAL BOARD
D10	G-7879	BLOCKING DIODE
AM	AM-100	AMMETER 10-0-10 D.C.
DS1	G-7611	FAULT LIGHT (OPTIONAL)



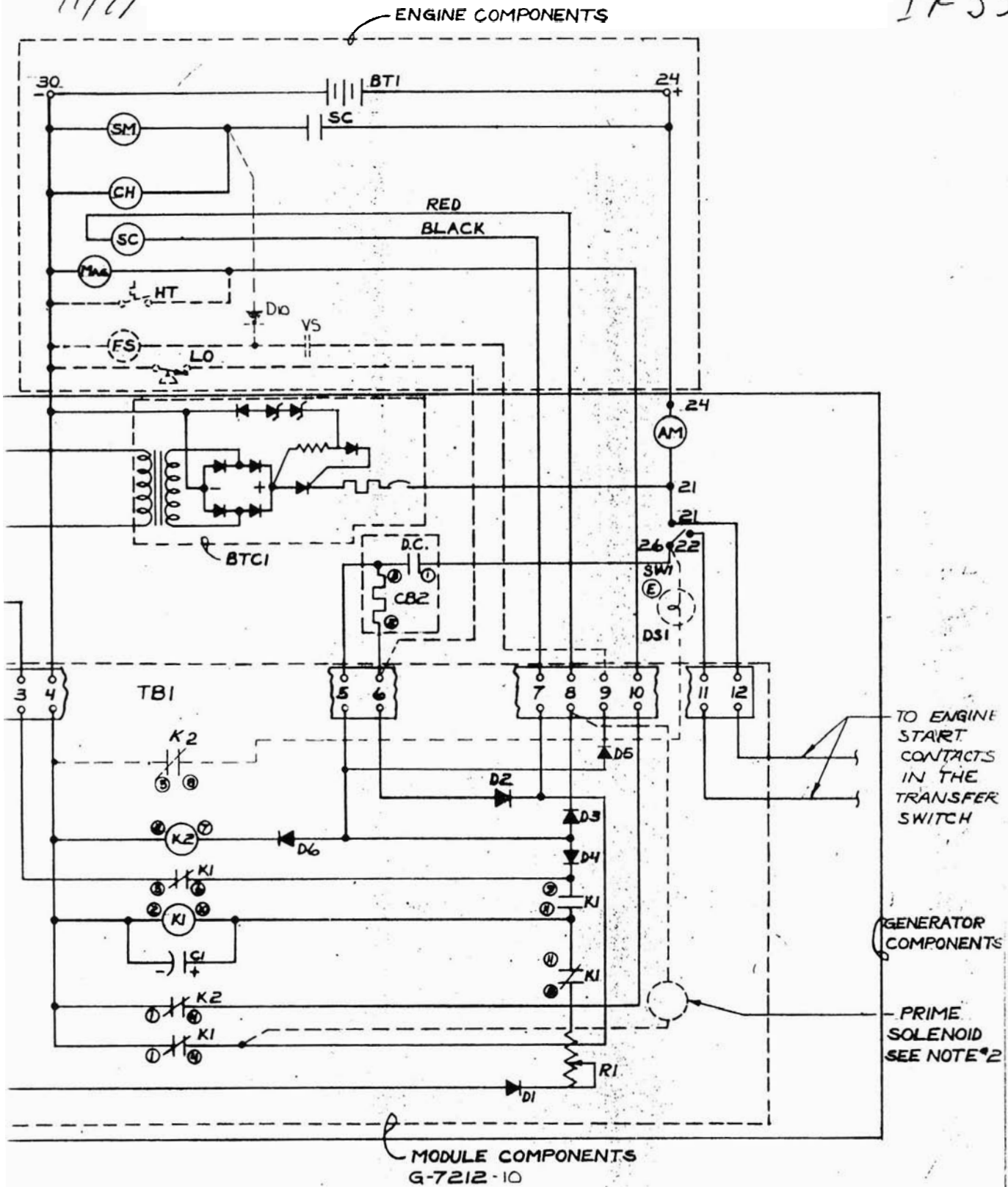
PL-2029
 IF 5314 WD
 IE 109180
 GR6W4-C/10V
 MD-4135-2
 test card. 1-3-7?
 IE-1076801 - wd PNC?

NO.	REVISION	DATE	BY	CHK'D	REF. WAS	DATE	BY	CHG. NO.
1	REDRAWN	12 MAR 89	JRS					

TOLERANCE ON DIMENSIONS NOT OTHERWISE SPECIFIED: DECIMAL ±, FRACTIONAL ±, ANGULAR ±. REMOVE ALL BURRS, BREAK ALL SHARP MACHINED EDGES. MATERIAL: _____

11/79

IF 5314a



NOTE
 1. MODULE G-7212-10 FOR ENGINE WITH MAGNETO ONLY.
 2. ONLY REQ'D ON NATURAL GAS AND VAPOR LPG MODELS.

WIRING DIA. MODULE IE-10768-10

WIRING DIAGRAM	
SCALE	MODEL NO.
DATE 11-6-79	PART NO. IF-5314
BY G.A.	CHK'D.
WINROW CORPORATION NEWTON, IOWA 50208	

IF-5314