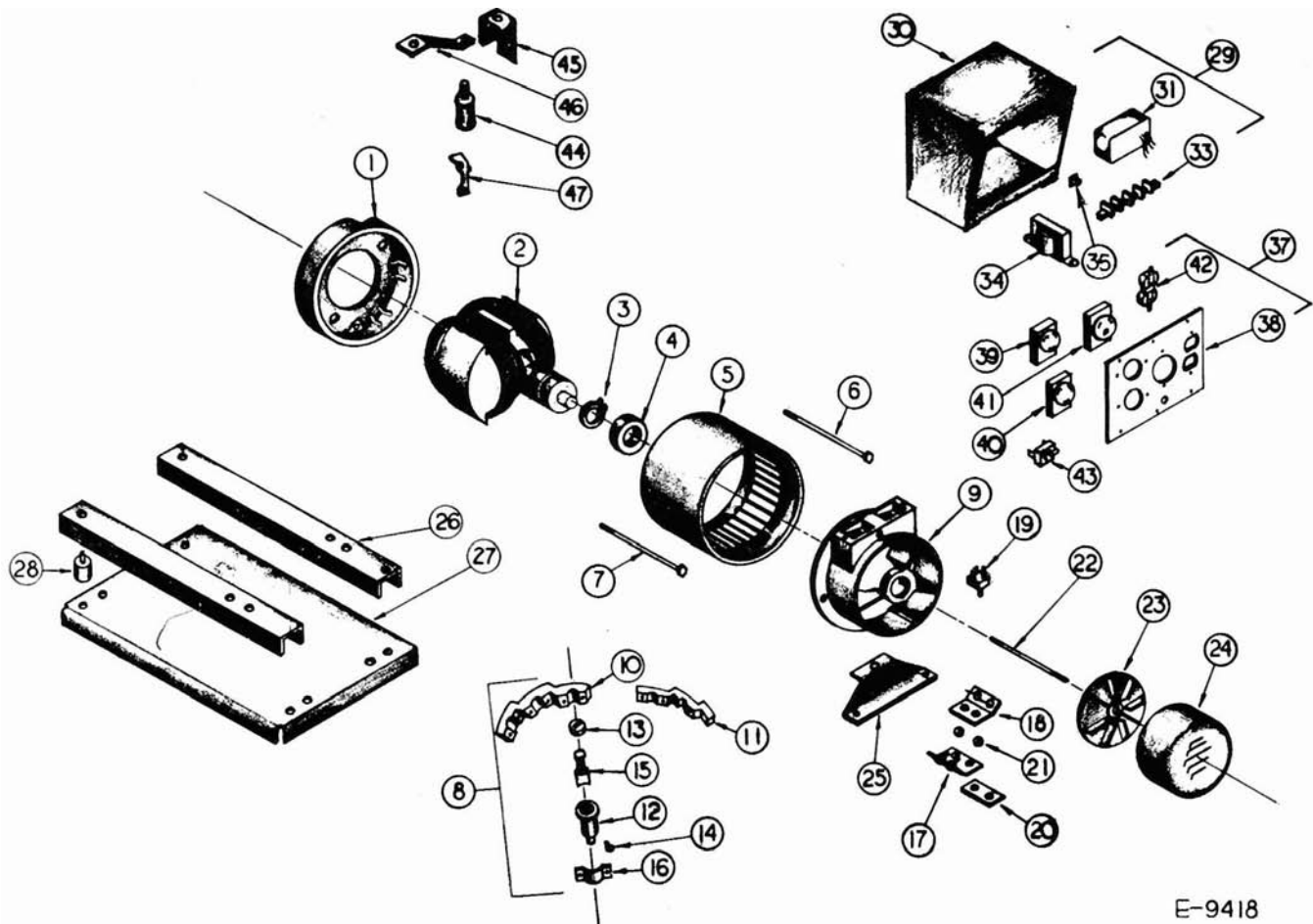


GM 4B2-A

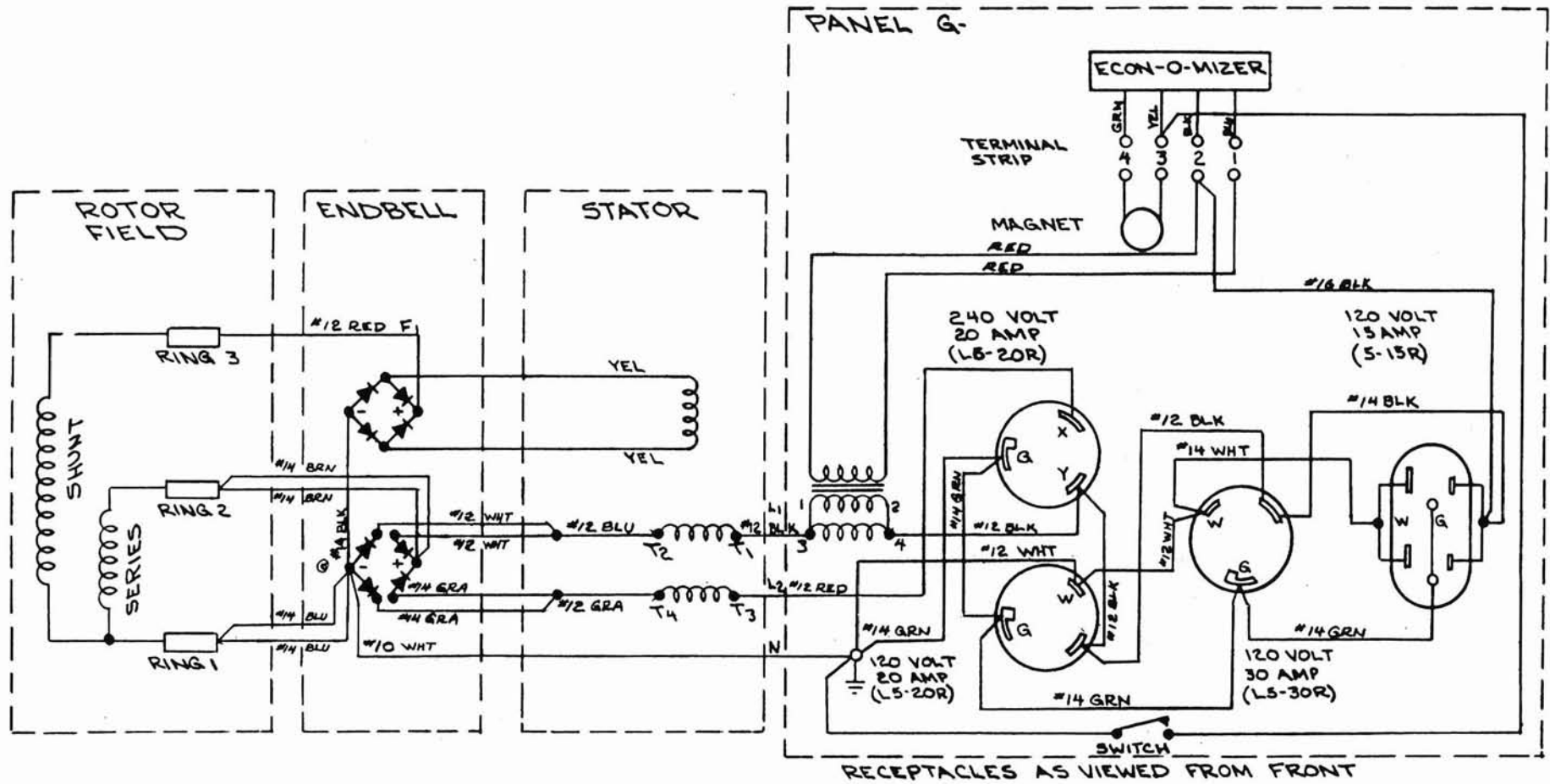


E-9418

NO.	PART NO.	PART DESCRIPTION	REQ.	NO.	PART NO.	PART DESCRIPTION	REQ.
1	A-722-1	Drive End Bell	1	30	G-6315	Panel Back (GM4B2-A)	1
2	G-5285	Rotor Assembly	1	30	G-6315-5	Panel Back (GM4B2-A/1)	1
3	11099	Retaining Ring	1	31	G-6112	Econ-O-Mizer Module (GM4B2-A)	1
4	D-59	Bearing	1	33	EE-654	Terminal Board (GM4B2-A)	1
5	G-5150	Stator Frame Assembly	1	34	EE-1983	Transformer (GM4B2-A)	1
6	4074-04	Screw 1/4-20 x 9-1/2	1	35	4999	Insert, Nylon	4
7	4074-02	Screw 1/4-20 x 7-1/2	3	37	G-6272-2	Panel Front Assembly (GM4B2-A)	1
8	G-6199-2	Bearing End Bell Assembly	1	37	G-6272-5	Panel Front Assembly (GM4B2-A/1)	1
9	A-726-8	End Bell	1	38	S-7408-1	Panel Front	1
10	A-746	Brush Holder Bracket	1	39	EE-1371	Receptacle (L6-20R)	1
11	A-745	Brush Holder Bracket	1	40	EE-1370	Receptacle (L5-20R)	1
12	B-701	Brush Holder	5	41	EE-1372	Receptacle (L5-30R)	1
13	B-701-1	Cap	5	42	EE-323	Receptacle, Duplex	1
14	B-701-2	Clip	5	43	EE-168-1	Switch, Econo (GM4B2-A)	1
15	Y-114	Brush	5	44	G-5990	Magnet (GM4B2-A)	1
16	S-6096	Clamp	5	45	S-7624	Cover (GM4B2-A)	1
17	G-5298-1	Rectifier Assembly - Neg.	1	46	S-6753-1	Mounting Plate (GM4B2-A)	1
18	G-5297-1	Rectifier Assembly - Pos.	1	47	S-6754	Pivot Arm (GM4B2-A)	1
19	G-6013	Rectifier Assembly - Shunt	1	EC-11602	Engine, Briggs & Stratton	1	
20	J-545	Insulator	1	Z-2373-1	Schematic Wiring (GM4B2-A)		
21	J-546	Bushing	4	Z-2342-1	Schematic Wiring (GM4B2-A/1)		
22	S-1384	Stud	1				
23	A-727	Fan	1				
24	S-7587	End Hood	1				
25	S-7423	Generator Support	1				
26	S-7424	Skid Channel	2				
27	S-7281	Base Plate	1				
28	W-208	Vibration Isolators	4				
29	G-6273	Panel Back Assembly (GM4B2-A)	1				
29	G-6273-3	Panel Back Assembly (GM4B2-A/1)	1				

<p>A. C. Generator</p> <p>Models GM4B2-A GM4B2-A/1 (No Econ-O-Mizer)</p> <p>120/240 Volts, 28/15.6 Amperes, 60 Hertz</p> <p>1 Phase, 3600 RPM</p> <p>WINPOWER CORPORATION NEWTON, IOWA</p>
--

GM-4B2-A



A	ADDED #14 BLK	8-12-74	SF	RLT		
CHANGE	WAS ORIGINALLY	DATE	CHK'D	CHG. REQUEST		
TOLERANCE ON DIMENSIONS NOT OTHERWISE SPECIFIED				DECIMAL ± FRACTIONAL ± ANGULAR ±	REMOVE ALL BURRS BREAK ALL SHARP MACHINED EDGES	NO. REQ'D. _____ MICROFILM DATA JUN 27 1974
MATERIAL _____						

CIRCUIT DIAGRAM	
SCALE ~	MODEL NO. _____
DATE 5-23-74	PART NO. 2-2373-1
DWN RLT	CHK'D _____
WINPOWER CORPORATION NEWTON, IOWA 50208	