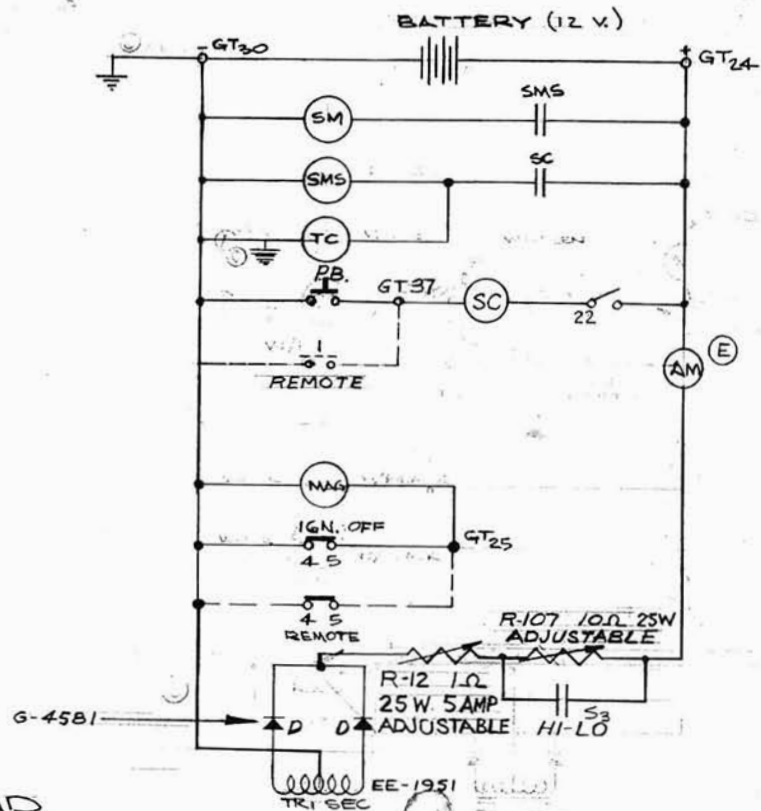
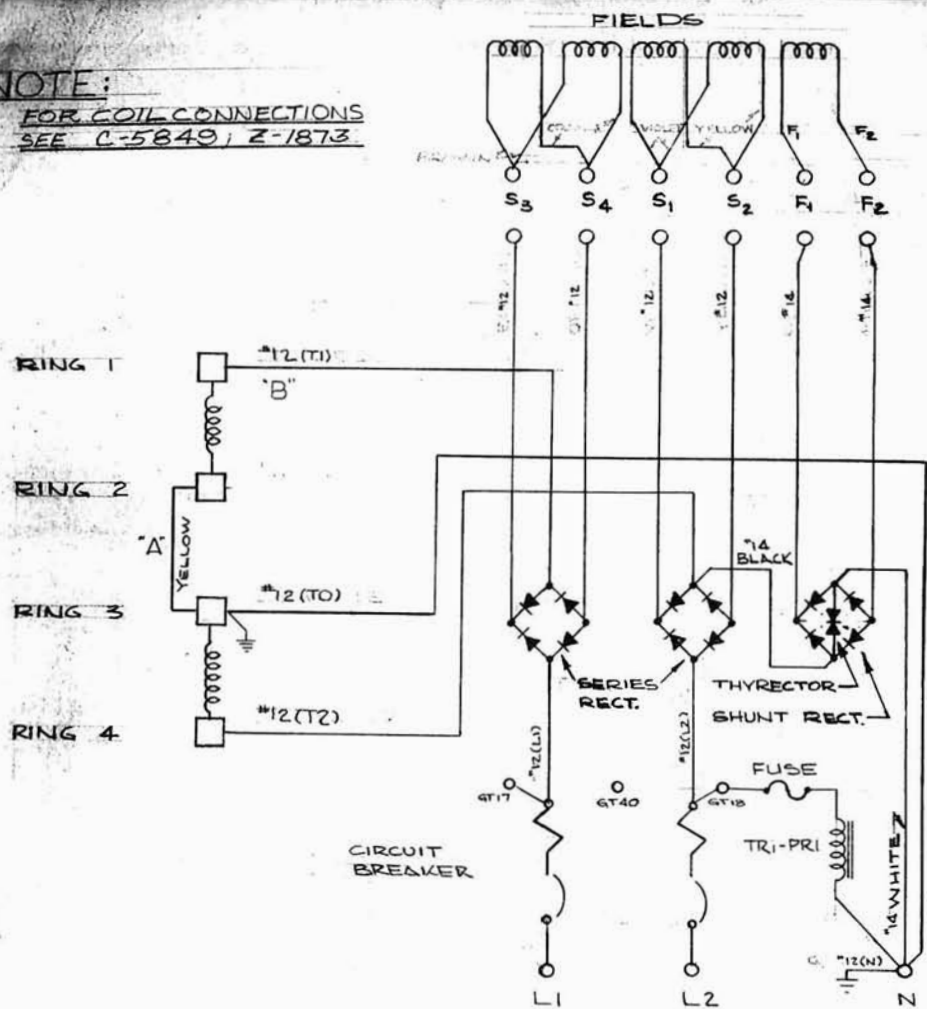


PARTS LIST
GR6W4-C & GE6W4-C

<u>PART NO.</u>	<u>DESCRIPTION</u>	<u>QUANTITY</u>
I-839	Drive End Bell	1
G-5370	Armature Assembly	1
I-862	Fan	1
D-8	Bearing	1
W-43	Bearing Retainer	1
G-5454	Brush Gear Assembly	1
G-5360	Field Pole Assembly	1 Set of 4
H-1003	Field Coil Assembly	1 Set of 4
J-544	Coil Shield	8
G-4420	Brushholder Assembly	2
Y-51	Brush	4
G-3422	Brush Spring Assembly	4
G-4862-5	Rectifier Assembly - Series Field	2
G-4862-6	Rectifier Assembly - Shunt Field	1
EE-1804	Breaker - Circuit 30 AMP	1
EE-658	Terminal Strip - 3 pole	1
EE-1677	Terminal Strip - 4 pole	1
EE-1671	Ground Lug	1
AM-97	Ammeter - Battery Charge	1
R-200	Resistor - 5 Ohm, 25 watt	1
EE-425	Fuse Holder	1
EE-434	Fuse	1
G-4581	Rectifier Assembly - Battery Charge	1
EE-151	Switch - Battery Charge	1
EE-1967	Transformer - Battery Charge	1
EE-167	Ignition Switch, On-Off	1
EE-228	Start Switch - Push Button	1
EE-653	Terminal Strip - 8 Pole	1
EE-645	Terminal Strip - 2 Pole	1

Wiring Diagram Z-1863 C-5842

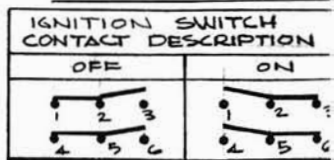
NOTE:
FOR COIL CONNECTIONS
SEE C-5849, Z-1873



LEGEND

- TC CHOKE (THERMO-ELECTRIC)
- AM AMMETER (BAT. CHARGING)
- GT GENERATOR PANEL TERMINALS
- SMS START MOTOR STARTER
- SM START MOTOR
- SC START CONTACTOR
- RB START SWITCH (PUSH BUTTON)
- IGN. IGNITION SWITCH (TOGGLE)
- TRI BATTERY CHARGING TRANSFORMER
- MAG MAGNETO

6 KW 1φ THD WISCONSIN



WIRING DIAGRAM

SCALE	MODEL NO.
DATE 7-20-67	PART NO. IC-584
DWG. M.E.	CHK'D.

WINPOWER MFG. CO.
NEWTON, IOWA

CONNECTION DIAGRAM

FOR RECONNECTION TO 125V
SEE DRAWING Z-1881, C-5866

REVISED COLOR CODE	DATE	CHK'D	CHG. REQUEST
	8-10-70	JFP	
THYRECTOR ACROSS DC	1-15-70	JFP	
MOVED AM TO REWIND	10-26-68	JFP	
MOVED TR1 TO REWIND	8-26-68	T.C.G.	88031
GENERAL REVISION	7-22-68	J.N.	78017
REVISION AC SECTION	8-23-67	T.C.G.	
AC & SC REVISION	7-21-67	J.N.	M.E.
AS WAS ORIGINALLY			

NO. REQ'D. JUL 20 1977
MICROFILM DATA JUL 16 1970

MATERIAL

REMOVE ALL BURRS
BREAK ALL SHARP
MACHINED EDGES