

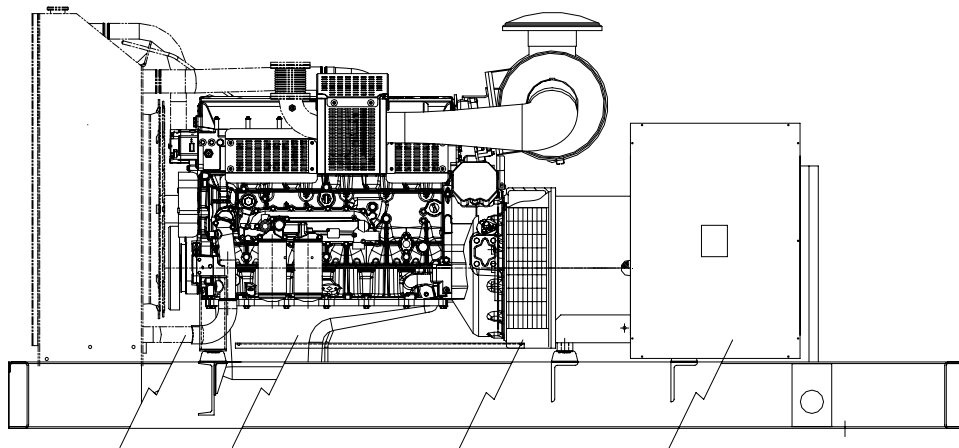
# **WINPOWER**

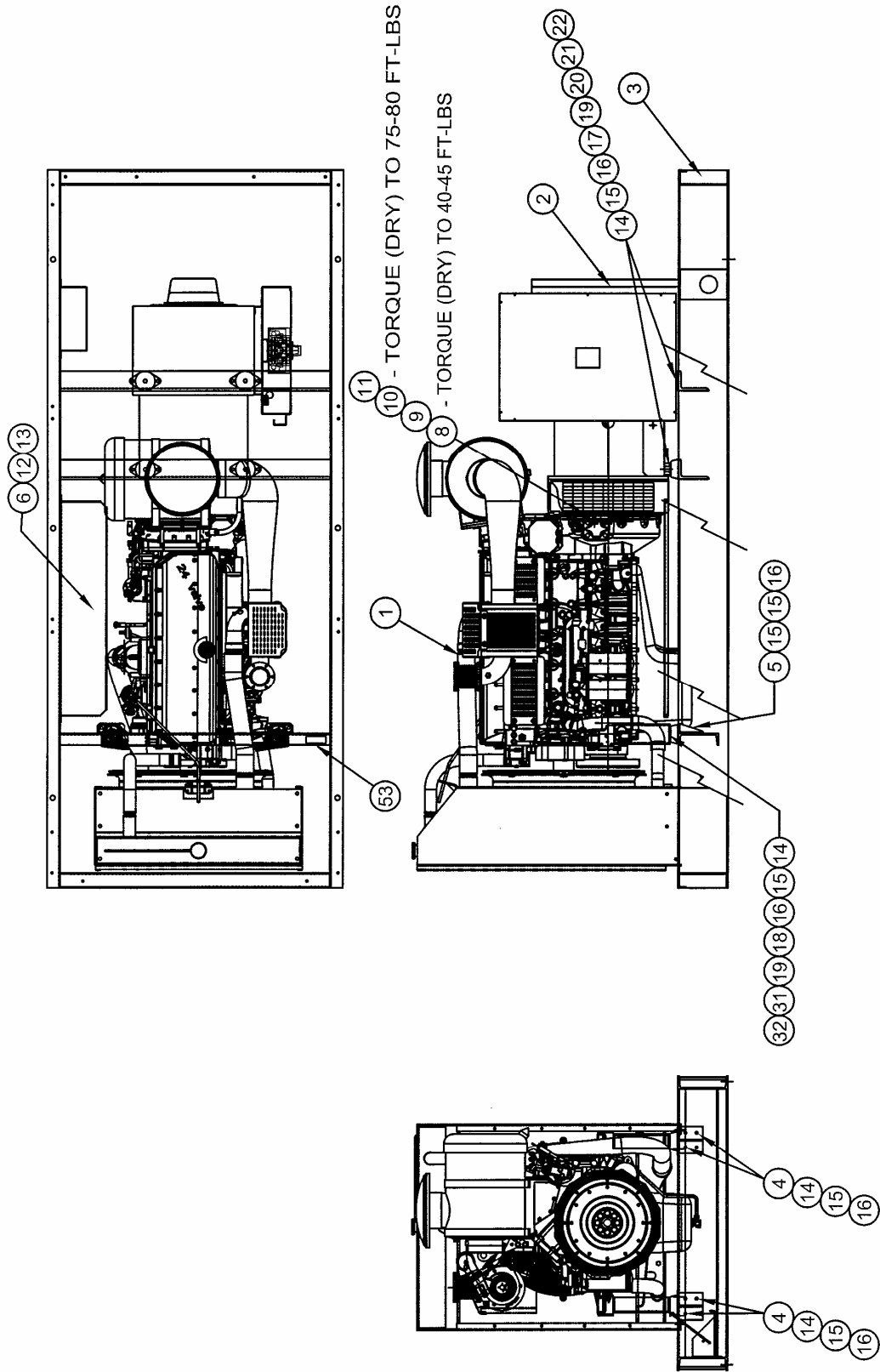
*A Division of **DTE** Dyna Technology Inc*

## **PARTS LIST**

# **DR300I4**

## **WITH BASLER DGC-2020 CONTROL**





# ENGINE/GENERATOR ASSEMBLY

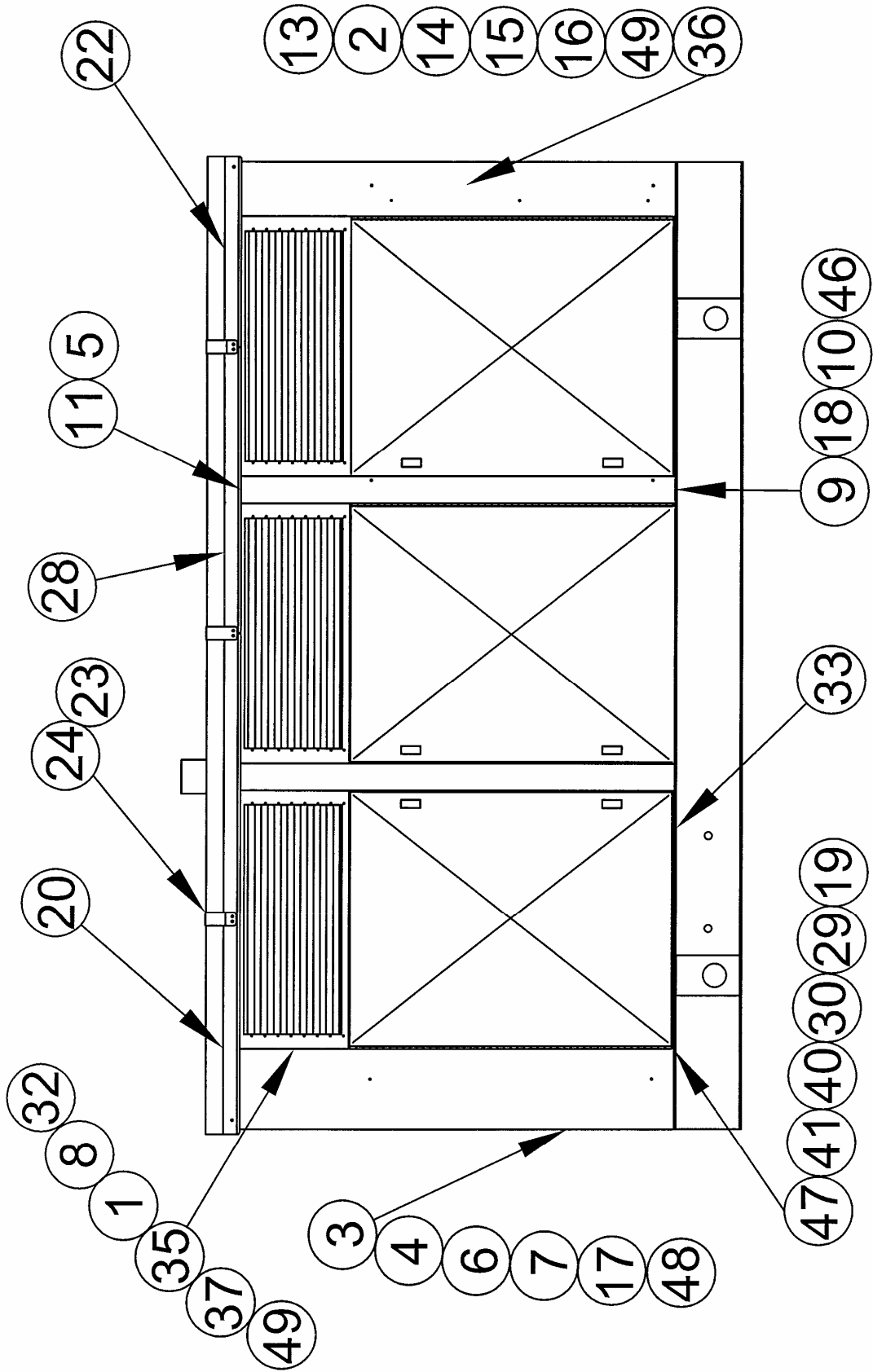
ITEM	PART NO	QUAN.	DESCRIPTION
1	B-350001-66	1	ORDERING SPEC., ENGINE
2	TABLE	1	ORDERING SPEC., GENERATOR
3	B-351389-2	1	WELDMENT, BASE
4	A-350944-3	6	SHOCK MOUNT (60 DUROMETER)
5	B-351400	2	WELDMENT, SHOCKMOUNT SUPPORT
6	A-350896-2	1	TRAY, BATTERY
7	A-350484-3	1	KIT, BATTERY HOLD DOWN
8	94282-050	12	HHCS M10 - 1.50 x 50mm (BELLHOUSING)
9	B-351938	2	WELDMENT, ENGINE SUPPORT
10	A-96007-030	8	HHCS M12 x 1.75 x 30mm (FLYWHEEL)
11	A-97436-012	20	SLW 12mm
12	65001-002	10	HHCS SS 5/16-18 x 1
13	A-16249-000	10	FN 5/16-18
14	1516-000	34	HHCS 1/2-13 x 1 1/4
15	97436-010	13	LOCKWASHER M10 PLAIN
16	16248-001	36	NUT, HEX 1/2-13 FLANGE LOCK, ZINC
17	A-93711-000	4	HHCS 3/4-10 x 2
18	A-93709-000	8	HN 3/4 - 10
19	A-93710-000	8	SLW 3/4
20	A-96580-005	1	CABLE, BATTERY - 36" (POSITIVE)
21	A-96580-002	1	CABLE, BATTERY - 36" (NEGATIVE)
22	A-96580-001	1	CABLE, BATTERY (JUMPER)
23	A-92388-001	2	HOSE FITTING 1/2 NPT X 5/8 HOSE
24	B-80781-010	1	BLOCK HEATER
25	A-93689-000	10 FT.	HOSE, 5/8" ID
26	A-300114	6 FT.	LW 3/0
27	A-64704-001	1	TERM RING
28	B-351903	1	CONTROL PEDISTAL
29	B-351901	1	HARNESS ENGINE
30	B-351888	1	CONTROL ASSEMBLY
31	B-300533-4	1	MLCB BOX ASSEMBLY
32	A-92157-001	1	ROMEX CONNECTOR

PART NO	ITEM 2	PHASE/VOLTAGE
B-351943-1	B-350031-3	ALL 3Ø EXCEPT OVERSIZED

# ENGINE/GENERATOR ASSEMBLY CONTINUED

33	B-15209-000	1	WARNING ELECTRICAL SHOCK
34	A-97381-000	1	DECAL, DIESEL
35	B-80125-001	3	CT 1500:5
36	60710-097	1	TAG, OIL
37	B-351933	1	HARNESS, GEN END
38	93711-004	4	HHCS 3/4-10 X 2.5 GR5 ZINC
39	1178-000	4	FLAT WASHER .760 X 1.375
40	57580-000	2	HHCS 1/2-13 X 1 1/2 GR5 ZINC
41	90948-000	2	WASHER BEVEL 1/2 BOLT GALV.
42	93084-000	1	PIPE PLUG 1/2 GALV.
43	20039-000	3	LOCKWASHER 1/2 EXTERNAL TOOTH
44	96003-025	1	HHCS M10-1.5 X 25MM BLACK
45	81018-005	4	HOSE CLAMP 1 1/16 9/16
46	93073-000	1	1/2 IN. BOX CONNECTOR
47	99778-001	2	ADAPTER M16-1.5(M) X M18-1.5(F) TEMP SENDER
48	98906-005	2	OIL DRAIN VALVE M18-1.5 X 5/8 FG-2N
49	92388-002	1	HOSE FITTING 3/8NPT X 1/2 HOSE
50	81018-008	1	HOSE CLAMP 7/8 1/4

51	56372-000	1	HEX REDU.BUSH. 1/2X3/8
52	351397-001	2	WELDMENT, RAD. SUPPORT
53	A-97381-001	1	DIESEL FUEL DECAL
54	A-93726-000	2	HEX RED. BUSH. 1 X 1/2
55	300553	1	KIT, COOLANT RECOV. TANK
56	80781-011	1	ENGINE COOLANT HEATER
57	63941-003	1	DECAL, BATT. COMP. WARN.
58	95901-002	1	BATT. TERM. BOOT (RED)
59	16145-000	2	TERM. INSULATOR (RED)



# ENCLOSURE ASSEMBLY (STANDARD)

26	A-63941-001	3	DECAL, HOT SURFACE
25	A-97813-000	4	DECAL, CYCLE CRANK
24	B-351869-3	3	ROOF, SUPPORT
23	B-351878-2	3	ROOF, SPLICE
22	B-351870-3	1	ROOF, REAR
21	B-351876-6	1	ROOF, MIDDLE FRONT
20	B-351875-6	1	ROOF, FRONT
19	B-351044-1	6	HSG, SIDE DOOR
18	B-351759-5	2	HSG, MID DOOR SUPPORT
17	A-351865-6	1	RADIATOR OUTLET
16	A-351867-5	1	SILL, TOP REAR
15	B-351860-10	1	POST, RIGHT REAR CORNER
14	B-351860-9	1	POST, LEFT REAR CORNER
13	B-351910-1	1	HOUSING, REAR
12	A-350239-1	1	HOLDER, DOCUMENT
11	B-351759-6	1	HOUSING, REAR DOOR SUPPORT LEFT
10	A-16250-000	20	FN 3/8-16
9	A-81590-001	12	BEVEL WASHER- 3/8
8	B-351760-3	6	SILL, TOP DOOR
7	B-351859-12	1	HOUSING, FRONT RIGHT CORNER POST
6	B-351859-11	1	HOUSING, FRONT LEFT CORNER POST
5	B-351759-7	1	HOUSING, RIGHT DOOR SUPPORT
4	A-351861-12	1	HOUSING, RADIATOR TOP
3	A-351861-11	1	HOUSING, RADIATOR BOTTOM
2	B-351871-2	2	BAFFLE, REAR HOUSING
1	B-351936-2	6	BAFFLE, DOOR TOP
ITEM	PART NO	QUAN.	DESCRIPTION

# ENCLOSURE ASSEMBLY (STANDARD) CONTINUED

57			
56			
55			
54			
53			
52			
51	A-65001-002	120	HHCS SS 5/16-18 x 1
50	A-65005-001	35	5/16 SS FLAT WASHER
49	A-21698-001	250	#10 SELF TAPPING SCREW
48	A-92421-000	16 FT	FOAM STRIP
47	A-16249-000	86	5/16-18 HEX FLANGENUT
46	A-16248-000	14	1/4-20 HEX FLANGENUT
45	A-65006-001	8	5/16-18 SS FLANGE NUT
44	A-65003-000	4	SLW SS - 1/4
43	A-65000-000	4	HHCS SS 1/4-20 x 5/8
42	A-92419-000	35	NUT RETAINER, 5/16-18
41	A-62912-001	70 FT	STRIP - 7/8" WIDE
40	A-98879-001	40	THREADSTUD 5/16-18 x 3/4
39	A-91658-003	20	HHCS 3/8-16 X 1-1/2
38	A-21253-000	12	1/4-20 X 3/4 ROUND HEAD SCREW
37	A-91478-017	6	SCREEN, DOOR INTAKE
36	A-91478-020	2	SCREEN, REAR
35	A-81582-005	6	BONDING WIRE, DOOR
34	A-15424-000	12	RUBBER FOOT (DOOR BUMPER)
33	B-351939	6	LOWER DOOR JAM
32	A-350137-8	48	LOUVER, SIDE
31	A-350137-10	40	LOUVER, REAR
30	A-350207-5	6	HINGE, SIDE DOOR
29	A-95229-005	12	LATCH
28	B-351876-5	1	ROOF, MIDDLE REAR
27	A-15209-000	2	ELEC. DANGER
ITEM	PART NO	QUAN.	DESCRIPTION

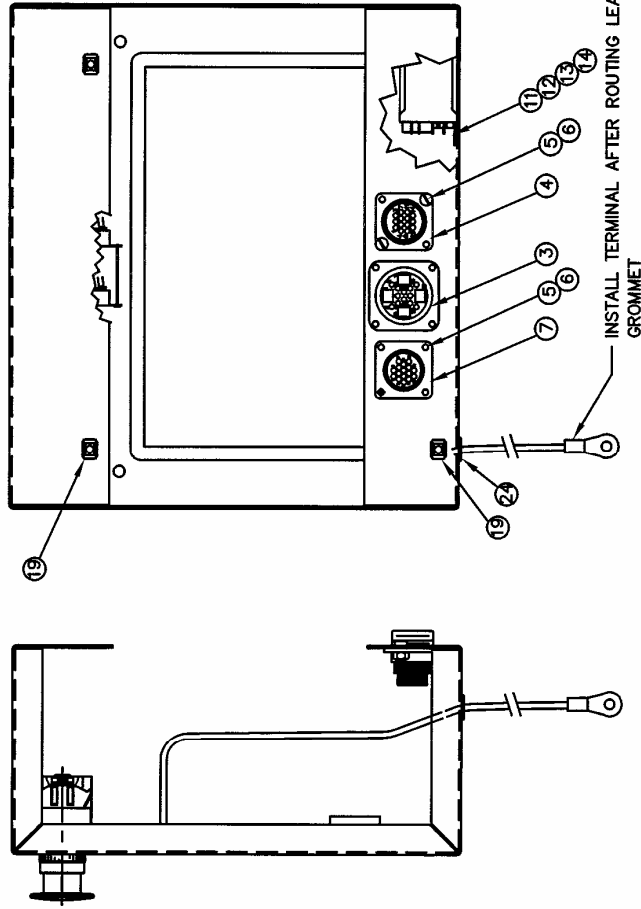
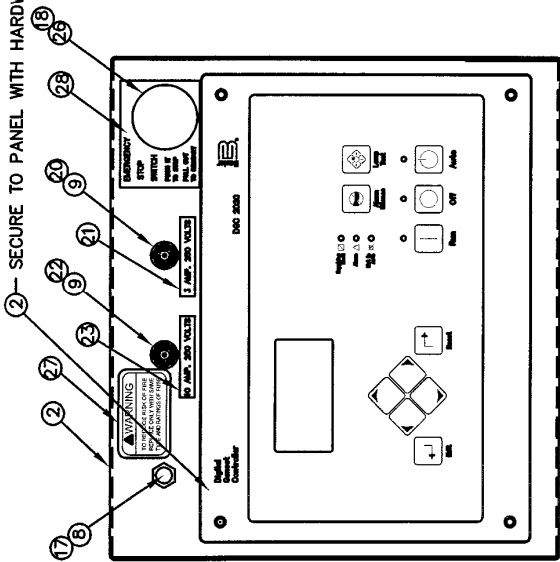
# ENCLOSURE ASSEMBLY (ACCOUSTIC)

28	B-351876-5	1	ROOF, MIDDLE REAR
27	A-15209-000	2	ELEC. DANGER
26	A-63941-001	3	DECAL, HOT SURFACE
25	A-97813-000	4	DECAL, CYCLE CRANK
24	B-351869-3	3	ROOF, SUPPORT
23	B-351878-2	3	ROOF, SPLICE
22	B-351870-3	1	ROOF, REAR
21	B-351876-6	1	ROOF, MIDDLE FRONT
20	B-351875-6	1	ROOF, FRONT
19	B-351044-1	6	HSG, SIDE DOOR
18	B-351759-5	2	HSG, MID DOOR SUPPORT
17	A-351865-6	1	RADIATOR OUTLET
16	A-351867-5	1	SILL, TOP REAR
15	B-300552-8	1	ASSEMBLY, RIGHT REAR HOUSING
14	B-300552-7	1	ASSEMBLY, LEFT REAR HOUSING
13	B-351910-1	1	HOUSING, REAR
12	A-350239-1	1	HOLDER, DOCUMENT
11	B-351759-6	1	HOUSING, REAR DOOR SUPPORT LEFT
10	A-16250-000	20	FN 3/8-16
9	A-81590-001	12	BEVEL WASHER- 3/8
8	B-300552-4	6	ASSEMBLY, DOOR TOP
7	B-351859-12	1	HOUSING, FRONT RIGHT CORNER POST
6	B-351859-11	1	HOUSING, FRONT LEFT CORNER POST
5	B-351759-7	1	HOUSING, RIGHT DOOR SUPPORT
4	A-351861-12	1	HOUSING, RADIATOR TOP
3	A-351861-11	1	HOUSING, RADIATOR BOTTOM
2	B-351871-2	2	BAFFLE, REAR HOUSING
1	B-351936-6	6	BAFFLE, DOOR TOP
ITEM	PART NO	QUAN.	DESCRIPTION

# ENCLOSURE ASSEMBLY (ACCOUSTIC) CONTINUED

57			
56			
55			
54			
53	B-350545-10	1	KIT, CRITICAL EXHAUST
52	B-351940-1	1	ACCOUSTIC ADD-ON
51	A-65001-002	120	HHCS SS 5/16-18 x 1
50	A-65005-001	35	5/16 SS FLAT WASHER
49	A-21698-001	250	#10 SELF TAPPING SCREW
48	A-92421-000	16 FT	FOAM STRIP
47	A-16249-000	86	5/16-18 HEX FLANGENUT
46	A-16248-000	14	1/4-20 HEX FLANGENUT
45	A-65006-001	8	5/16-18 SS FLANGE NUT
44	A-65003-000	4	SLW SS - 1/4
43	A-65000-000	4	HHCS SS 1/4-20 x 5/8
42	A-92419-000	35	NUT RETAINER, 5/16-18
41	A-62912-001	70 FT	STRIP - 7/8" WIDE
40	A-98879-001	40	THREADSTUD 5/16-18 x 3/4
39	A-91658-003	20	HHCS 3/8-16 X 1-1/2
38	A-21253-000	12	1/4-20 X 3/4 ROUND HEAD SCREW
37			
36			
35	A-9769-153	6	BONDING WIRE, DOOR
34	A-15424-000	12	RUBBER FOOT (DOOR BUMPER)
33	B-351939	6	LOWER DOOR JAM
32			
31			
30	A-350207-5	6	HINGE, SIDE DOOR
29	A-95229-005	12	LATCH
ITEM	PART NO	QUAN.	DESCRIPTION

②— SECURE TO PANEL WITH HARDWARE SUPPLIED WITH CONTROL



ITEM	PART NO	QTY	DESCRIPTION	ITEM	PART NO	QTY	DESCRIPTION
27	A-63941-004	1	FUSE RATING WARNING DECAL	28	A-63941-006	1	EMERGENCY STOP DECAL
25	A-49975-010	8	CABLE TIE	26	A-99783-001	1	EMERGENCY STOP SWITCH
23	A-15983-006	1	10 AMP FUSE DECAL	24	A-45853-000	1	GROMMET
21	A-15983-008	1	3 AMP FUSE DECAL	22	A-95064-006	1	10 AMP. FUSE
19	A-92495-000	4	1/4-20 RETAINED SQUARE NUTS	20	A-95064-000	1	3 AMP. FUSE
17	A-97517-001	1	REOSTAT, VOLTAGE ADJUSTING	18	A-99783-002	1	E-STOP SWITCH
15	A-300542	1	BATTERY	16			
13	21976-000	2	LOCKWASHER #8	14	5113-000	2	HEXNUT #8-32
11	B-59944-003	1	RELAY	12	6402-001	2	BZ BIND. HMS #8-32 X 3/8
9	A-2489-001	2	FUSE HOLDER	10	B-351889	1	ASSEMBLY, WIRING DIAGRAM
7	A-96925-006	1	16 PIN CONNECTOR	8	A-94394-000	1	KNOB
5	24988-000	6	#6-32 X 1/2 BINDING HEAD SCREW	6	51802-000	6	#6-32 ELASTIC STOPNUT
3	A-96925-003	1	16 PIN CONNECTOR	4	A-96925-002	1	14 PIN CONNECTOR
1	A-351900	1	CONTROL BOX FRONT PANEL	2	A-351855-1	1	ENGINE CONTROL

