

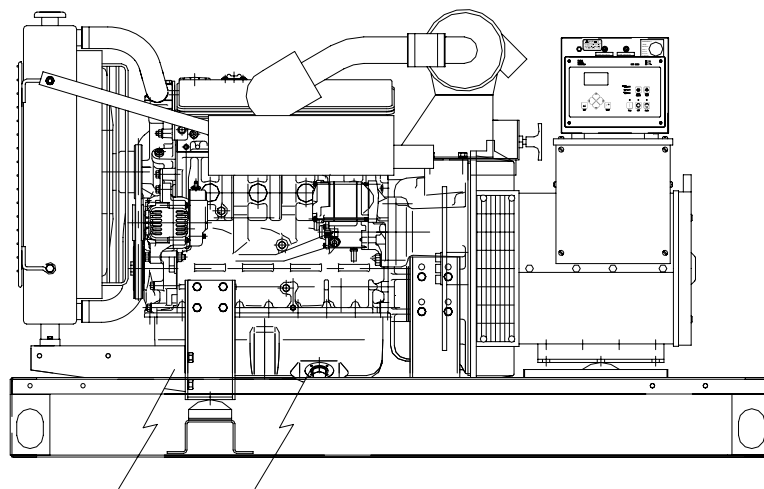
WINPOWER

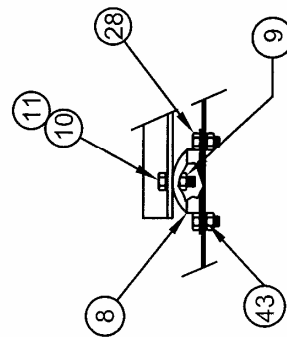
*A Division of **DTE** Dyna Technology Inc*

PARTS LIST

DR2014

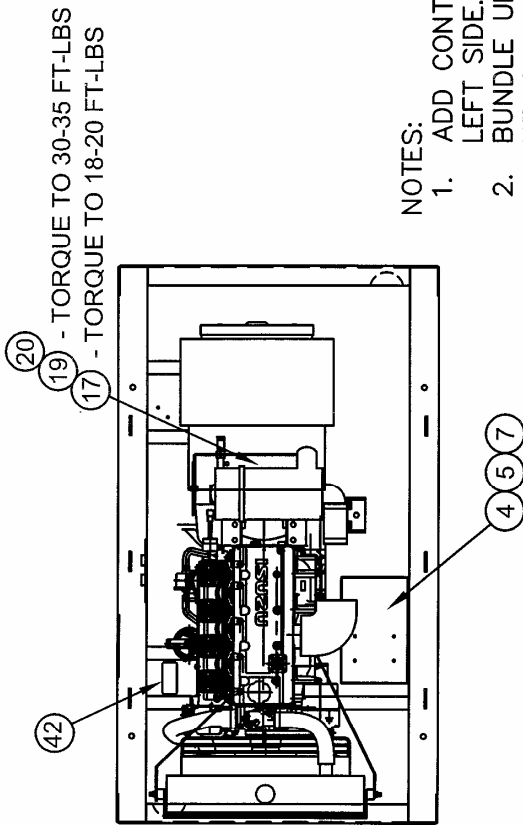
WITH BASLER DGC-2020 CONTROL





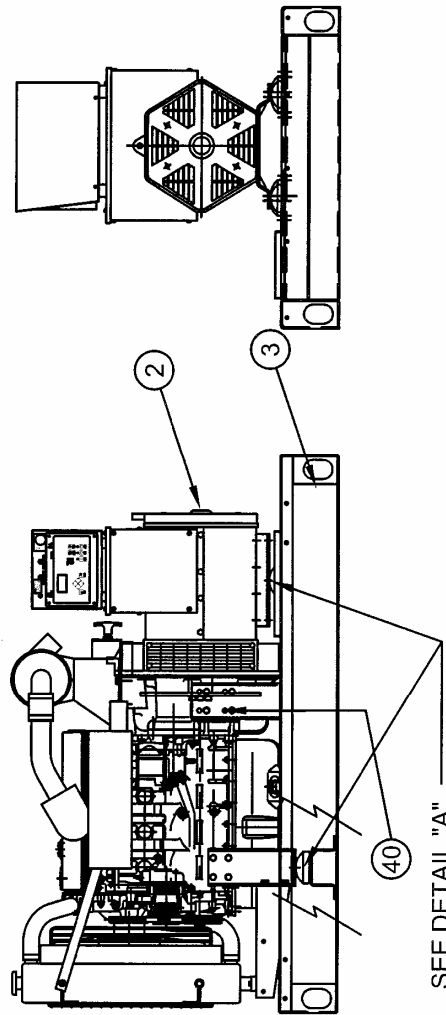
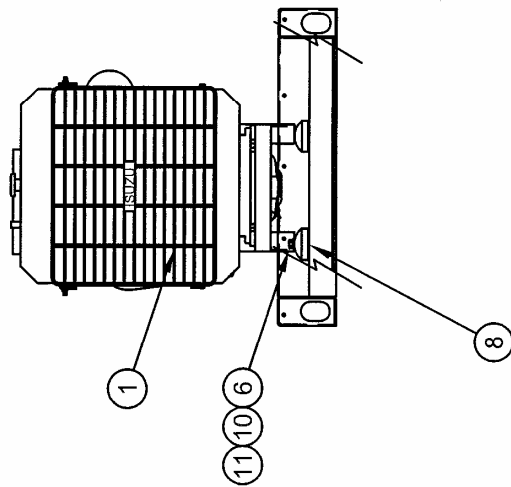
DETAIL "A"
SHOCKMOUNT

REF: OUTLINE DRAWING none
REF: DRAWING B-351627



20 - TORQUE TO 30-35 FT-LBS
19 - TORQUE TO 18-20 FT-LBS
17 - TORQUE TO 18-20 FT-LBS

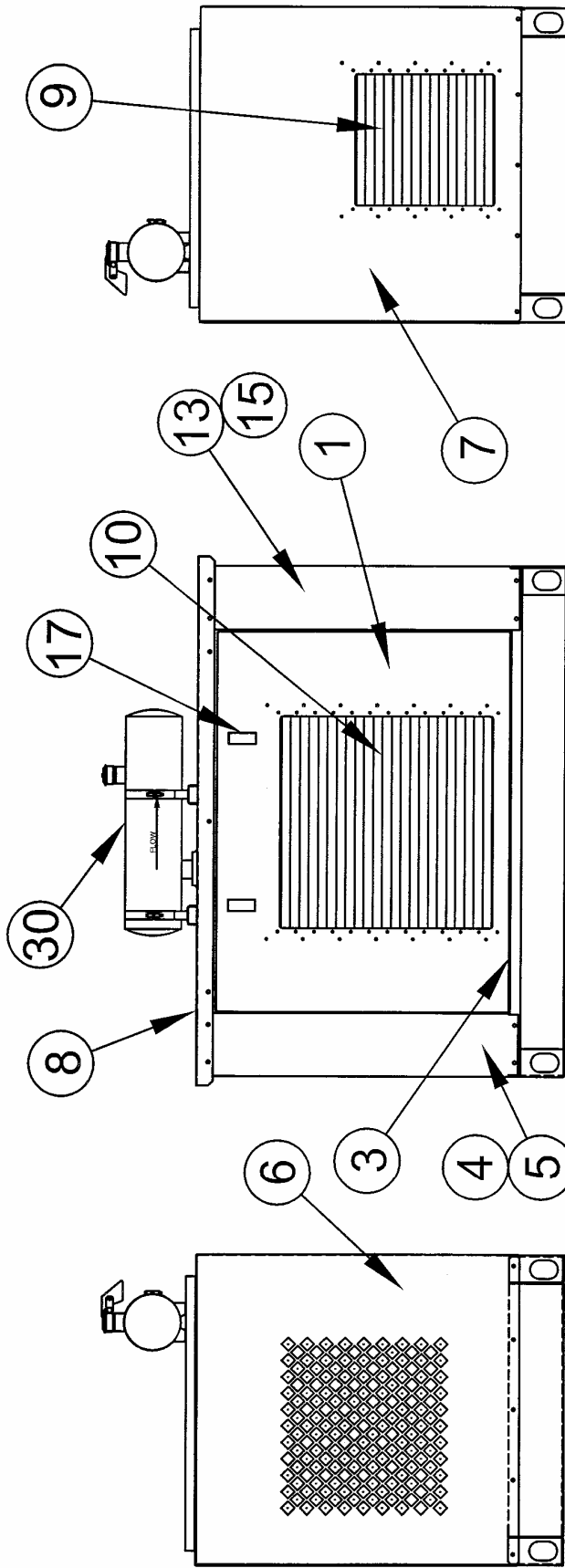
- NOTES:
1. ADD CONTROL FACING TO LEFT SIDE.
 2. BUNDLE UNUSED WIRES NEATLY TO HARNESS.



ENGINE/GENERATOR ASSEMBLY

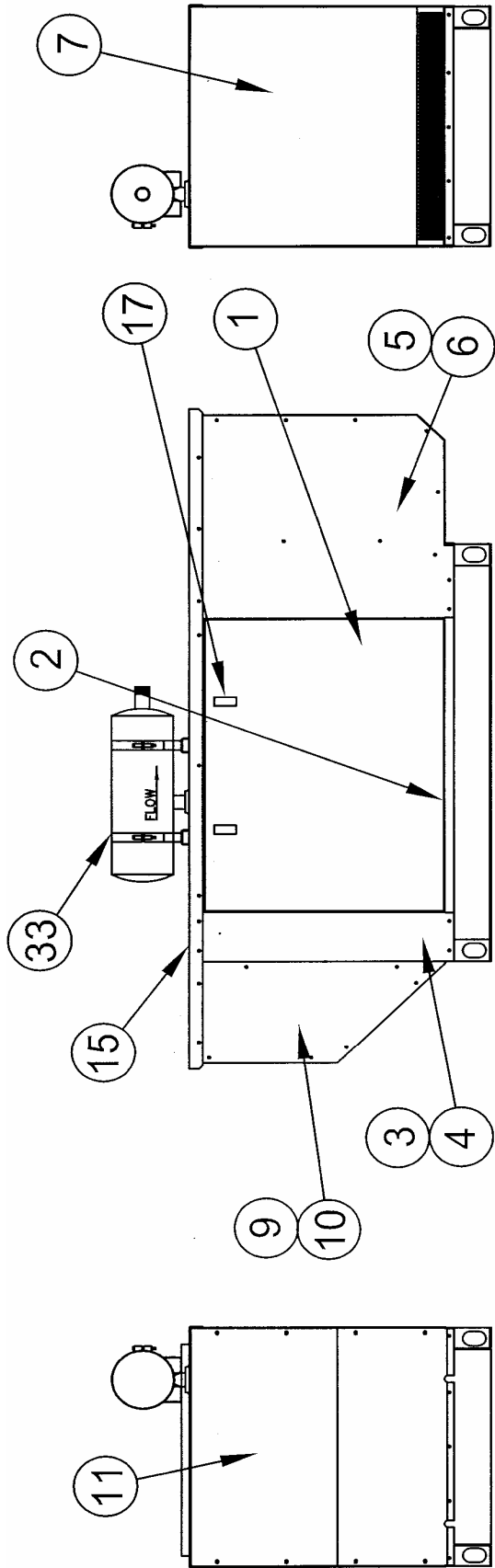
| ITEM | PART NO | QTY | DESCRIPTION |
|------|-------------|-------|------------------------------------|
| 1 | B-350001-27 | 1 | ENGINE (ISUZU 4LE1) |
| 2 | SEE TABLE | 1 | GENERATOR |
| 3 | B-300475-4 | 1 | WELDMENT, BASE |
| 4 | A-350110-2 | 1 | TRAY, BATTERY |
| 5 | 95568-000 | 4 | THREAD STUD #10-24 x 5/8 |
| 6 | 21867-000 | 2 | FW 9/16 X 1.25" |
| 7 | 99671-000 | 4 | FLANGENUT #10-24 |
| 8 | A-98956-001 | 4 | SHOCKMOUNT |
| 9 | 1744-000 | 4 | HN 1/2-13 |
| 10 | 57580-000 | 4 | HHCS, 1/2-13 X 1 1/2 |
| 11 | 636-000 | 4 | SLW 1/2 |
| 12 | 351628-8 | 1 | MLCB ASSY |
| 13 | A-99267-001 | 1 | SENDER, PRESSURE |
| 14 | A-350085-15 | 1 | BLOCK HEATER |
| 15 | A-80124-003 | TABLE | CURRENT TRANSFORMER 100:5 |
| 16 | 94270-025 | 4 | HHCS M12-1.75 x 25MM |
| 17 | A-96003-020 | 8 | HHCS M8-1.25 x 20mm (FLEX DISC) |
| 18 | 62486-000 | 1 | GROMMET, 1" I.D. X 1.375 |
| 19 | A-96003-025 | 8 | HHCS M10-1.5 x 25mm (BELL HOUSING) |
| 20 | A-97436-010 | 16 | SLW; M10 (BELL HOUSING) |
| 21 | 93341-012 | 4 | LOCKWASHER, M12 |
| 22 | 94319-008 | 2 | HOSE FITTING, 1/2-14 MPT |
| 23 | B-351135-16 | 1 | GEN. CONTROL ASSY |
| 24 | A-350165-14 | 1 | COVER, TERMINAL BOX |
| 25 | A-22097-000 | 1 | CABLE, BATTERY (POSITIVE) |
| 26 | A-22097-005 | 1 | CABLE, BATTERY (NEGATIVE) |
| 27 | A-80980-000 | 1 | SOLENOID, START |
| 28 | 48178-000 | 9 | HHCS 1/2-13 X 1 |
| 29 | 60710-097 | 1 | TAG, OIL |
| 30 | B-15209-000 | 1 | WARNING, ELECTRIC SHOCK |
| 31 | Z-2508-1 | 2 | DECAL, WINPOWER |
| 32 | SEE TABLE | 1 | CIRCUIT BREAKER KIT |
| 33 | A-93542-010 | 1 | GROUND CABLE |
| 34 | A-99265-001 | 1 | SENDER, TEMPERATURE |
| 35 | A-300349-4 | 1 | OIL SENDER ADAPTER |
| 36 | A-300483 | 1 | WELDMENT, EXHAUST |
| 37 | 93084-000 | 2 | PIPE PLUG, 1/2 GALV. |
| 38 | A-350484-1 | 1 | KIT, BATTERY HOLD DOWN |
| 39 | B-351707-1 | 1 | ENGINE HARNESS |
| 40 | B-351929 | 1 | BLOCK HEATER MOUNTING PLATE |
| 41 | A-350028-38 | 1 | LEFT GEN PANEL, MLCB MOUNTING |
| 42 | A-97381-001 | 1 | DIESEL FUEL DECAL |
| 43 | 16248-001 | 9 | HEX NUT, 1/2-13 UNC, FLANGE LOCK |
| 44 | B-351933-1 | 1 | GEN. END HARNESS ASSEMBLY |
| 45 | 55505-000 | 41.5" | HOSE, 3/8 |
| 46 | 81018-009 | 4 | HOSE CLAMP |
| 47 | 93824-003 | 1 | VALVE, 1/4 NPT, 90°, 3/8 HOSE |
| 48 | 98906-012 | 1 | OIL DRAIN VALVE, M20-1.50 X 3/8 |

| | | | | |
|------------|-------------|------------|----------|------------------|
| B-300545-2 | B-350097-9 | NONE | 3 | THREE - ALL |
| B-300545-1 | B-350097-91 | B-351628-9 | 2 | SINGLE - 120/240 |
| PART NO | ITEM 2 | ITEM 32 | QTY (15) | PHASE |



HOUSING ASSEMBLY (STANDARD)

| | | | |
|------|-------------|-------|----------------------------|
| 30 | B-351210-6 | 1 | CRITICAL EXHAUST, KIT |
| 29 | A-65004-001 | 10 | 5/16-18 SELF TAPPING SCREW |
| 28 | A-21698-001 | 178 | #10 SELF TAPPING SCREW |
| 27 | A-92421-000 | 7 FT | FOAM STRIP |
| 26 | 16249-000 | 42 | FHN 5/16-18 |
| 25 | A-65003-001 | 16 | SLW SS - 5/16 |
| 24 | A-65001-001 | 42 | HHCS SS 5/16-18 x 3/4 |
| 23 | A-65006-000 | 6 | HN SS 1/4-20 |
| 22 | 65003-000 | 2 | SLW SS - 1/4 |
| 21 | A-65000-000 | 8 | HHCS SS 1/4-20 x 5/8 |
| 20 | A-92419-000 | 16 | NUT RETAINER, 5/16-18 |
| 19 | A-92495-000 | 4 | NUT RETAINER, 1/4-20 |
| 18 | A-62912-001 | 24 FT | STRIP - 7/8" WIDE |
| 17 | A-95229-004 | 4 | LATCH |
| 16 | A-350142-7 | 1 | COVER, ACCESS |
| 15 | B-350478-3 | 1 | CORNER, REAR RIGHT |
| 14 | 300301 | 2 | DECAL |
| 13 | B-350478-4 | 1 | CORNER, REAR LEFT |
| 12 | A-350138-2 | 4 | SIDE, FRONT LOUVER |
| 11 | A-350138-1 | 2 | SIDE, REAR LOUVER |
| 10 | A-350137-5 | 26 | LOUVER, SIDE |
| 9 | A-350137-1 | 9 | LOUVER, REAR |
| 8 | B-350596-5 | 1 | ROOF, HOUSING |
| 7 | B-350397-2 | 1 | HOUSING, REAR |
| 6 | B-350594-5 | 1 | HOUSING, FRONT |
| 5 | B-350478-2 | 1 | CORNER, FRONT RIGHT |
| 4 | B-350478-1 | 1 | CORNER, FRONT LEFT |
| 3 | A-350112 | 2 | SILL, DOOR |
| 2 | | | |
| 1 | B-351208-1 | 2 | DOOR, HOUSING |
| ITEM | PART NO | QUAN. | DESCRIPTION |

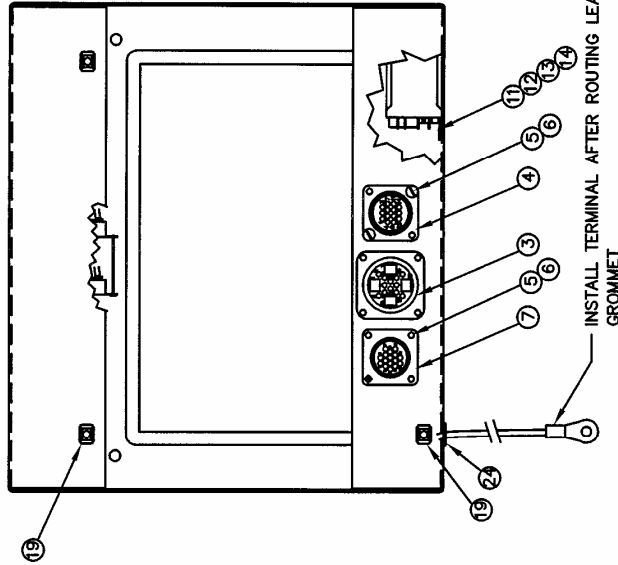
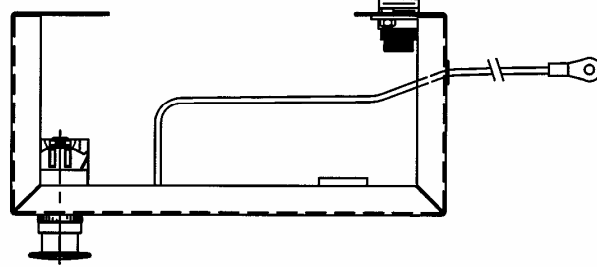
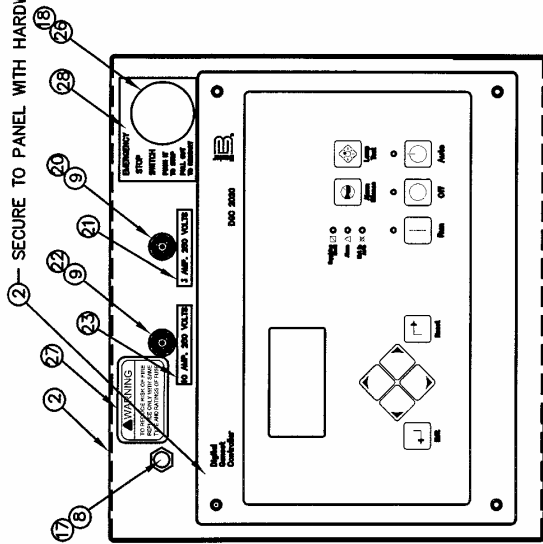


HOUSING ASSEMBLY (ACCOUSTIC)

| 33 | B-351210-6 | 1 | CRITICAL EXHAUST, KIT |
|------|-------------|--------|--------------------------------|
| 32 | A-65003-001 | 71 | SLW SS 5/16 |
| 31 | 480-000 | 8 | SLW - 5/16 |
| 30 | B-351625 | 1 | KIT, FOAM |
| 29 | A-65004-001 | 10 | 5/16-18 SELF TAPPING SCREW |
| 28 | X-XXXXX-XXX | XX | XXX |
| 27 | A-92421-001 | 7 FT. | FOAM STRIP |
| 26 | A-16249-000 | 53 | 5/16-18 HEX FLANGENUT |
| 25 | A-65001-001 | 71 | 5/16-18 x 3/4 SS HEX HEAD BOLT |
| 24 | 467-000 | 8 | 5/16-18 x 3/4 HEX HEAD BOLT |
| 23 | A-65006-000 | 6 | 1/4-20 SS HEX FLANGENUT |
| 22 | A-65003-000 | 8 | SLW SS - 1/4 |
| 21 | A-65000-000 | 8 | HHCS SS 1/4-20 x 5/8 |
| 20 | A-92419-000 | 26 | NUT RETAINER, 5/16-18 |
| 19 | A-92495-000 | 2 | NUT RETAINER, 1/4-20 |
| 18 | A-62912-001 | 24 FT. | STRIP - 7/8" WIDE |
| 17 | A-95229-004 | 4 | LATCH |
| 16 | A-350142-1 | 1 | COVER, ACCESS |
| 15 | B-300480-5 | 1 | ROOF, HOUSING |
| 14 | | | |
| 13 | A-350859-3 | 1 | HOUSING, RADIATOR BOTTOM |
| 12 | A-350858-3 | 1 | HOUSING, RADIATOR TOP |
| 11 | B-350857-1 | 1 | PANEL, AIR DISCHARGE |
| 10 | B-350854-5 | 1 | EXTENSION, FRONT RIGHT |
| 9 | B-350853-7 | 1 | EXTENSION, FRONT LEFT |
| 8 | A-351213 | 1 | BAFFLE, AIR INLET |
| 7 | B-351212 | 1 | PANEL, AIR INLET |
| 6 | B-351211-4 | 1 | EXTENSION, LEFT REAR RIGHT |
| 5 | B-351211-3 | 1 | EXTENSION, RIGHT REAR RIGHT |
| 4 | B-350478-2 | 1 | CORNER, FRONT RIGHT |
| 3 | B-350478-1 | 1 | CORNER, FRONT LEFT |
| 2 | A-350112 | 2 | SILL, DOOR |
| 1 | B-351208 | 2 | DOOR, HOUSING |
| ITEM | PART NO | QUAN. | DESCRIPTION |

REF. DRAWING A-300478-3

②— SECURE TO PANEL WITH HARDWARE SUPPLIED WITH CONTROL



| ITEM | PART NO | QTY | DESCRIPTION | ITEM | PART NO | QTY | DESCRIPTION |
|------|-------------|-----|--------------------------------|------|-------------|-----|--------------------------|
| 27 | A-63941-004 | 1 | FUSE RATING WARNING DECAL | 28 | A-63941-006 | 1 | EMERGENCY STOP DECAL |
| 25 | A-49975-010 | 8 | CABLE TIE | 26 | A-99783-001 | 1 | EMERGENCY STOP SWITCH |
| 23 | A-15983-006 | 1 | 10 AMP FUSE DECAL | 24 | A-45853-000 | 1 | GROMMET |
| 21 | A-15983-008 | 1 | 3 AMP FUSE DECAL | 22 | A-95064-008 | 1 | 10 AMP FUSE |
| 19 | A-92495-000 | 4 | 1/4-20 RETAINED SQUARE NUTS | 20 | A-95064-000 | 1 | 3 AMP FUSE |
| 17 | A-97517-001 | 1 | REOSTAT VOLTAGE ADJUSTING | 18 | A-99783-002 | 1 | E-STOP SWITCH |
| 15 | A-300542 | 1 | BATTERY | 16 | | | |
| 13 | 21976-000 | 2 | LOCKWASHER #8 | 14 | 5113-000 | 2 | HEXNUT #8-32 |
| 11 | B-59944-003 | 1 | RELAY | 12 | 6402-001 | 2 | BZ BIND, HMS #8-32 X 3/8 |
| 9 | A-2489-001 | 2 | FUSE HOLDER | 10 | B-351889 | 1 | ASSEMBLY, WIRING DIAGRAM |
| 7 | A-96925-006 | 1 | 16 PIN CONNECTOR | 8 | A-94394-000 | 1 | KNOB |
| 5 | 24988-000 | 6 | #8-32 X 1/2 BINDING HEAD SCREW | 6 | 51802-000 | 6 | #8-32 ELASTIC STOPNUT |
| 3 | A-96925-003 | 1 | 16 PIN CONNECTOR | 4 | A-96925-002 | 1 | 14 PIN CONNECTOR |
| 1 | A-351900 | 1 | CONTROL BOX FRONT PANEL | 2 | A-351855-1 | 1 | ENGINE CONTROL |
| | | | | | | | |

