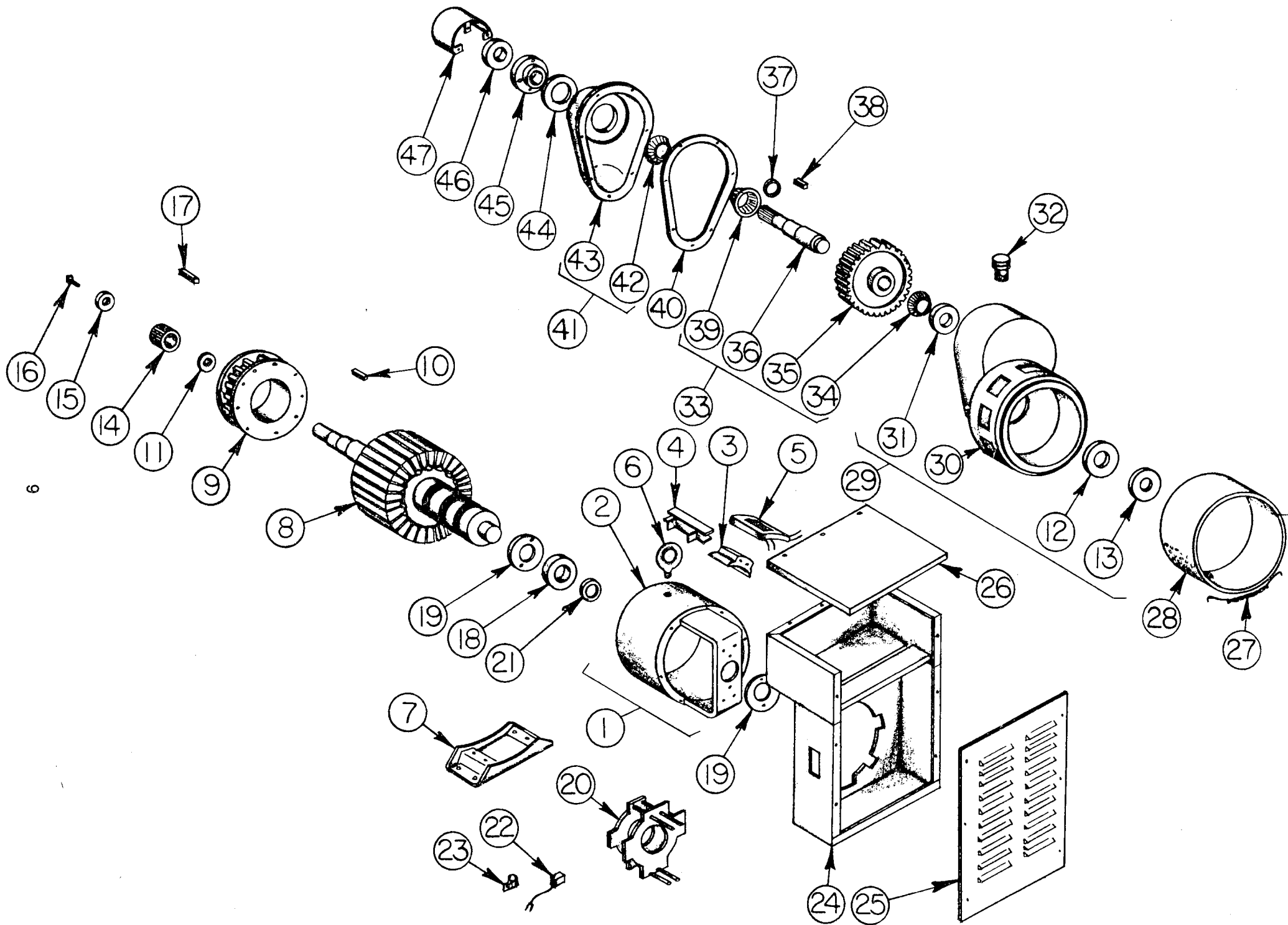


REF. NO.	PART DESCRIPTION	MODEL 80/50PTCD		MODEL 80/50PTCM	
		PART NO.	REQ'D UNIT	PART NO.	REQ'D UNIT
1	Field Frame Assembly	G-5909	1		
2	Field Frame	G-5938	1		
3	Field Pole	G-5936	4		
4	Coil Shield	J-514-1	8		
5	Field Coil	H-1091	4		
7	Base Assembly	G-5940	1		
8	Armature Assembly	G-5939-9	1		
9	Fan Assembly	G-5971	1		
10	Fan Key	S-2056-26	1		
11	Retaining Ring	11112	1		
12	Bearing DE (Needle Type)	D-73	1		
12a	Bearing Inner Race	D-73-2	1		
13	Grease Seal	X-202	1		
14	Pinion	S-7404	1	S-7404-2	1
15	Washer	S-7261	1		
16	Screw	3524-3	1		
17	Key - Sprocket	S-2056-89	1		
18	Bearing - Slip Ring End	D-8	1		
19	Bearing Retainer	W-43	2		
20	Brush Gear Assembly	G-7401-1	1		
21	Washer	S-7261	1		
22	Brush	Y-51	18		
23	Brush Spring	G-3422	18		
24	Panel Back Assembly	G-5975-9	1		
25	Panel Front	G-7453	1		
26	Panel Top Cover	S-7623	1		
27	Spring	S-7061	1		
28	Wrapper	S-7037	1		
29	Gear Case Housing Assembly	G-6243	1	G-6244	1
30	Housing	I-885-1	1		
31	Bearing Cup	D-27	1		
32	Vent Cap	10801	1		
33	Drive Shaft Assembly	G-6235-1	1	G-6236	1
34	Bearing Cone	D-28	1		
35	Gear	S-7405-6	1	S-7405-3	1
36	Shaft-6 Spline 1 $\frac{3}{8}$ Diameter	N-593-10	1	N-593-12	1
37	Washer - Hardened	S-7046	1		
38	Key	S-2056-87	1		
39	Bearing Cone	D-70	1		
40	Gasket	X-197	1		
41	Gear Case Cover Assembly	G-5924	1		
42	Bearing Cup	D-71	1		
43	Gear Case Cover	I-884	1		
44a	Shim - Amber (.001)	X-198-1	AR		
44b	Shim - Red (.002)	X-198-2	AR		
44c	Shim - Blue (.005)	X-198-3	AR		
44d	Shim - Brown (.010)	X-198-4	AR		
44e	Shim - Yellow (.020)	X-198-5	AR		
45	Retainer Plate	I-883	1		
46	Seal - Upper	X-201	1		
	PTO Guard	S-7606	1		

Wiring Diagram IC-6966  
Parts Diagram IE-9181-1

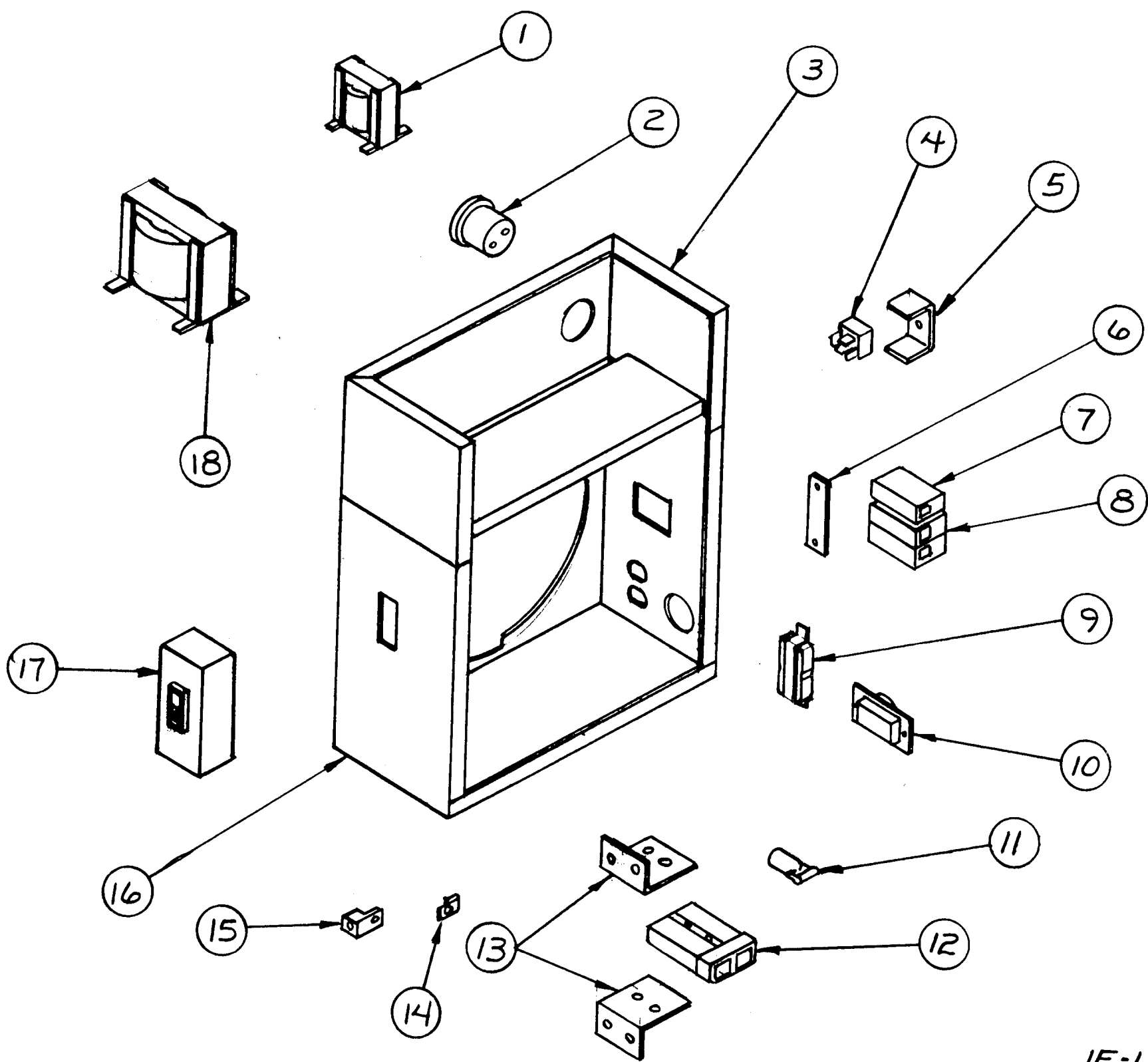
PL-2195  
(Sheet 1 of 2)



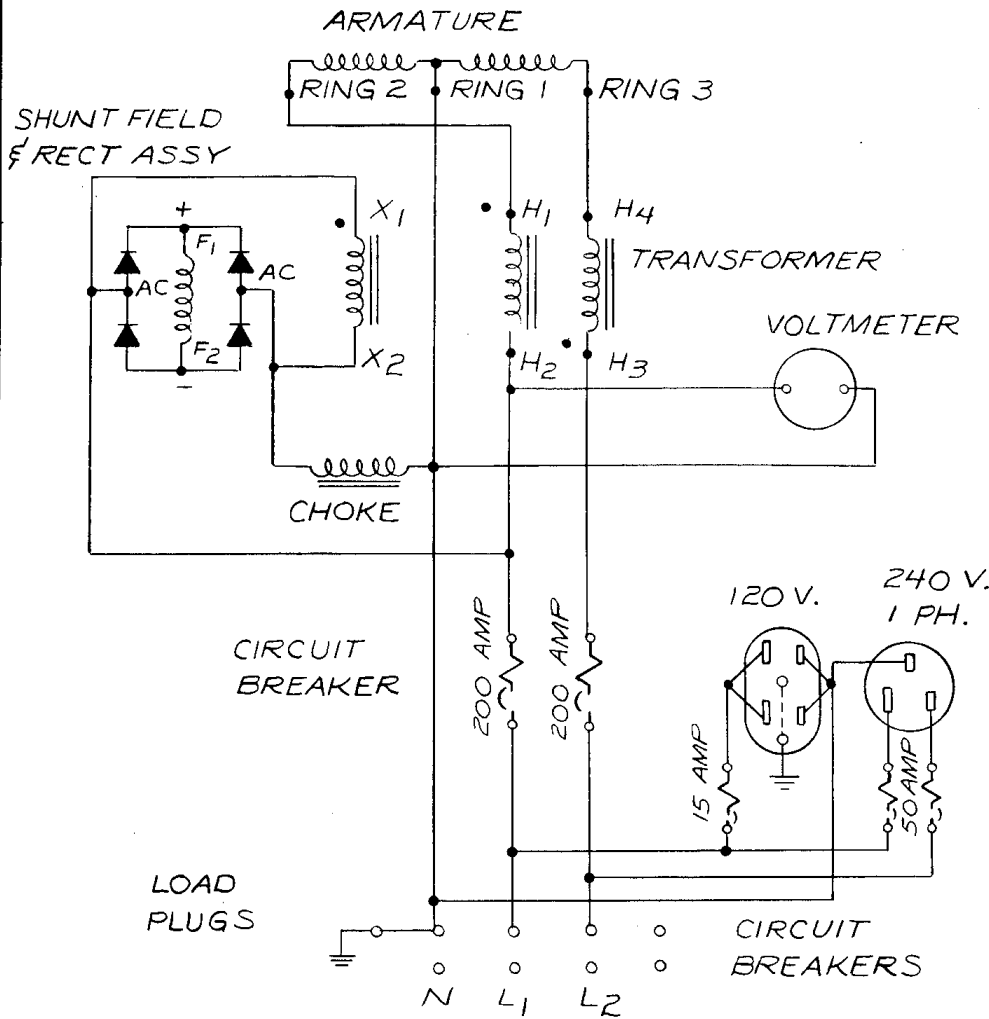
		PANEL <u>G-5939-7</u>	
		TYPE 2	
REF. NO.	PART DESCRIPTION	PART NO.	REQ'D UNIT
1	Choke	EE-2052	1
2	Voltmeter	VM-71	1
3	Upper Panel	G-5973-2	1
4	Rectifier Assembly	EE-2214	1
5	Heat Sink	A-788	1
6	Mounting Plate	S-5027-1	1
7	Circuit Breaker 15 AMP	EE-1830	1
8	Circuit Breaker 50 AMP	EE-1805	1
9	Receptacle Duplex	EE-323	1
10	Receptacle 250 Volt	EE-399	1
11	Load Plug Terminal	EE-2332-1	4
12	2 Pole Load Plug Housing	EE-2331	2
13	Mounting Bracket	S-9286-1	2
14	Tinnerman	4957	7
15	Ground Lug	EE-1671	1
16	Panel Weld Assembly	G-5838-31	1
17	Circuit Breaker 200 AMP	EE-1873	1
18	Transformer	EE-2053	1

Parts Drawing IE-11151

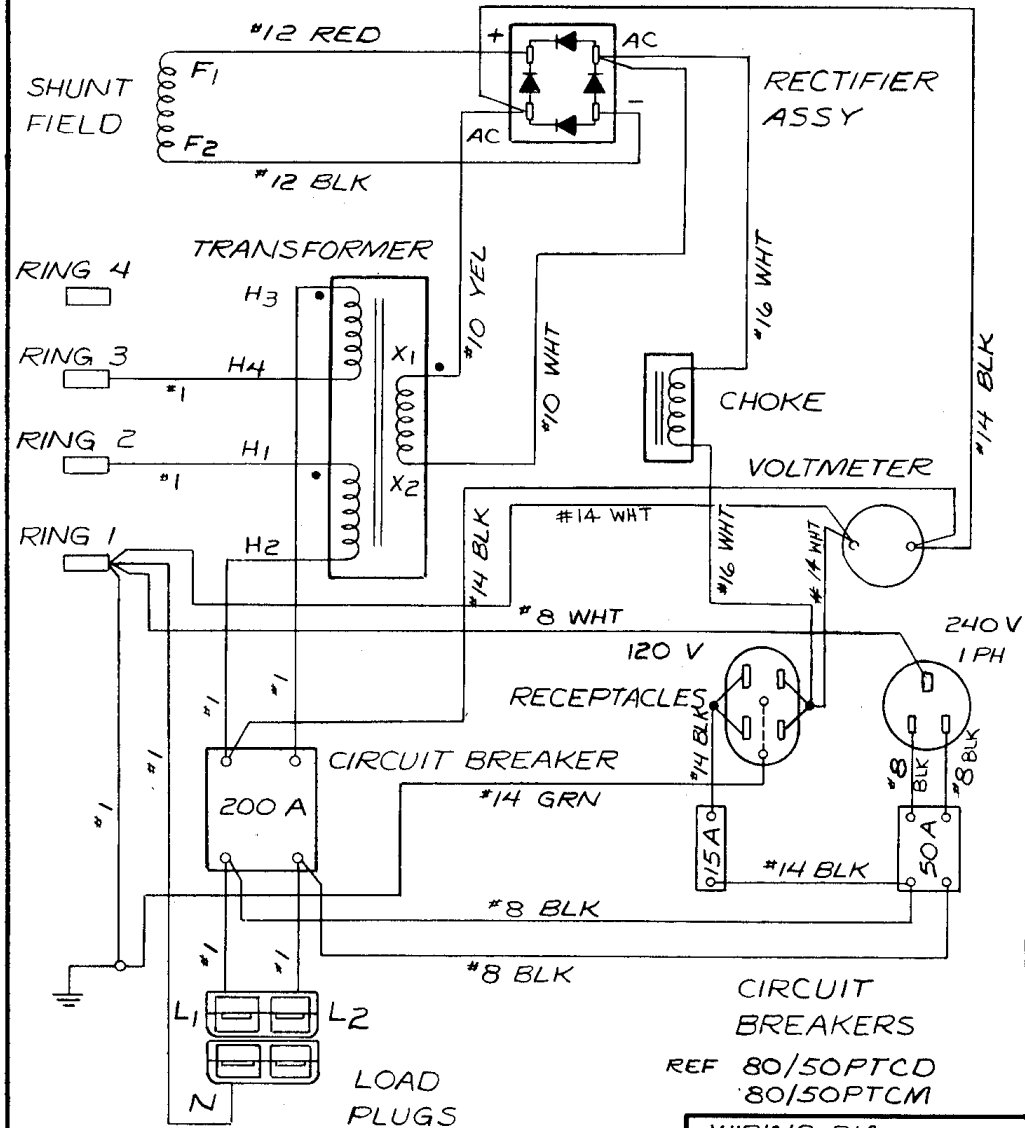
PL-2195  
(Sheet 2 of 2)



SCHMATIC WIRING



PICTORIAL WIRING



PLUGS VIEWED FROM FRONT

CHANGE	WAS ORIGINALLY	DATE	CHK'D.	CHG. REQUEST	NO. REQ'D.	MICROFILM DATA
TOLERANCE ON DIMENSIONS NOT OTHERWISE SPECIFIED						
DECIMAL ±			REMOVE ALL BURRS			
FRACTIONAL ±			BREAK ALL SHARP MACHINED EDGES			
ANGULAR ±			MATERIAL			

WIRING DIA	
SCALE: 8-3-78	MODEL NO. 1C-6966
DATE: 8-3-78	PART NO. 1C-6966
DWN: KH	CHK'D.
WINPOWER CORPORATION NEWTON, IOWA 50208	