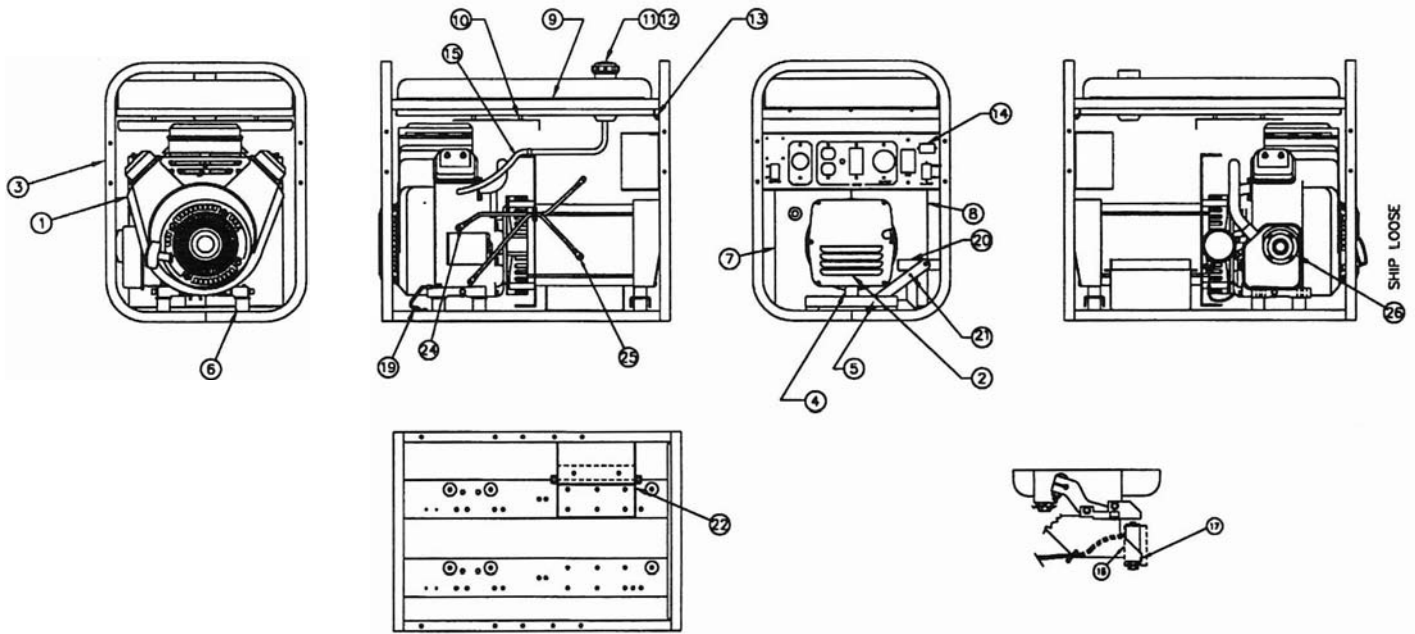


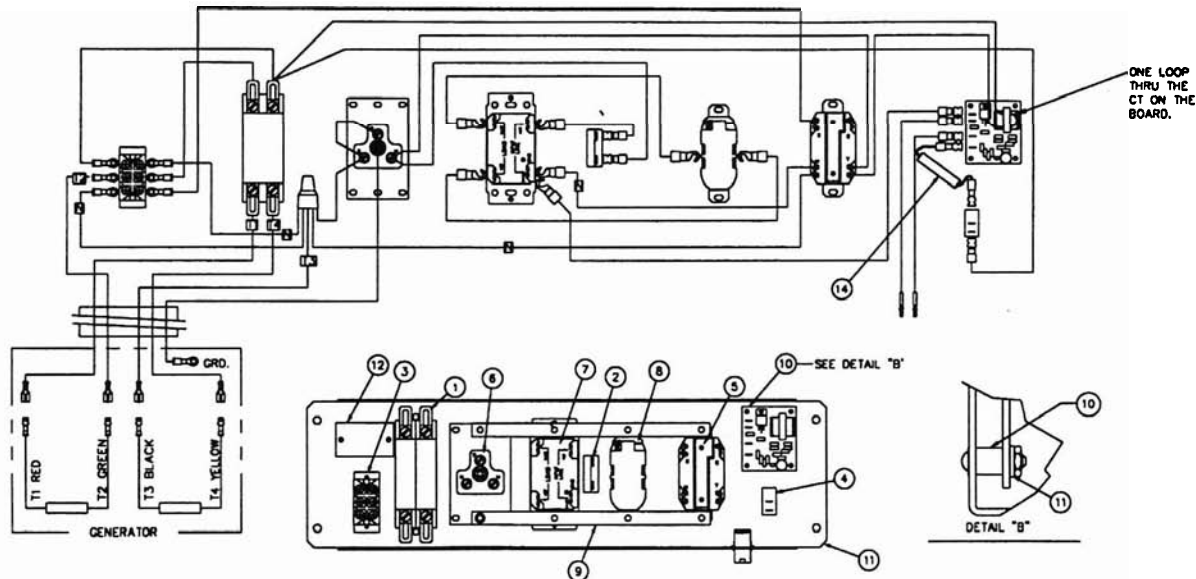
PARTS ILLUSTRATION COV MODELS



PARTS LIST COV MODELS

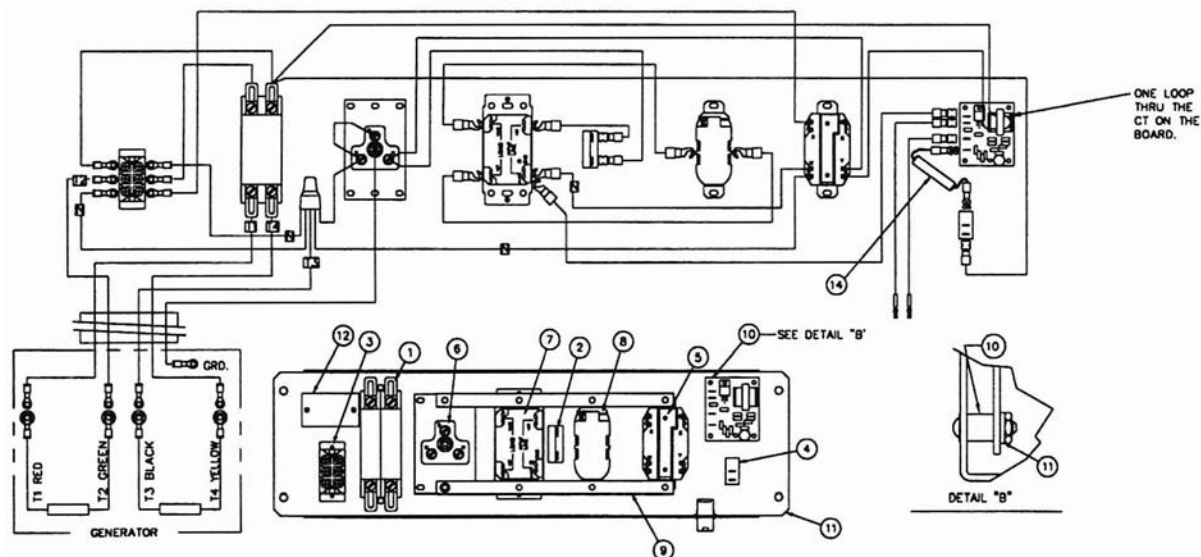
DESCRIPTION	COV4400HE	COV5500HE	COV6500HE	COV8500VES
1 ENGINE	248003080	248003110	248003130	15456
2 GENERATOR	300043-5	300043-7	300043-8	300043-9
3 CRADLE	300024	300024	300024	300024
4 SPACER, GEN-SUPPORT	300040	300040	300040	300040
5 SUPPORT, GENERATOR	300039	300039	300039	300039
6 SHOCKMOUNT (QTY 6)	64062	64062	64062	64062
7 BAFFLE, LEFT	300033	300033	300033	300033-1
8 BAFFLE, RIGHT	300034	300034	300034	300034-1
9 TRAY, FUEL TANK	300031	300031	300031	300031
10 SHIELD, HEAT	300053	300053	300053	300053
11 FUEL TANK	240022003	240022003	240022003	240022003
12 FUEL TANK CAP	240020003	240020003	240020003	240020003
13 HINGE	300032	300032	300032	300032
14 RECEPTACLE PANEL ASSEMBLY	300023-1	300023-2	300023-4	300023-3
15 FUEL LINE 1/4" ID	40078	40078-17	40078	40078-17
16 MAGNET ASSEMBLY	15182	15182	15182	15182
17 BRACKET, ECONOMIZER	300057	300057	300057	15270
18 HARNESS, MAGNET"	300060-1	300060-1	300060-1	300060-1
19 LEAD WIRE ASSEMBLY	9769-145	9769-145	9769-145	9769-145
20 BATTERY TRAY	N/A	N/A	N/A	300036
21 BRACE, BATTERY TRAY (QTY. 2)	N/A	N/A	N/A	300037
22 SUPPORT, BATTERY TRAY"	N/A	N/A	N/A	300054
23 KIT, BATTERY HOLD DOWN	N/A	N/A	N/A	300143
24 BATTERY CABLE, POSITIVE	N/A	N/A	N/A	15767-13
25 BATTERY CABLE, NEGATIVE	N/A	N/A	N/A	15767-12
26 SPARK ARRESTOR GROUP	N/A	N/A	N/A	64159-1
27 HOSE & FILTER ASSEMBLY	300098	300098	300098	N/A
28 WINPOWER DECAL	Z2508-1	Z2508-1	Z2508-1	Z2508-1
29 DECAL SET	15209	15209	15209	15209

RECEPTACLE PANEL ASSEMBLY PARTS ILLUSTRATION & WIRING DIAGRAM COV4400HE & COV5500HE



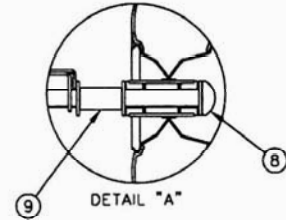
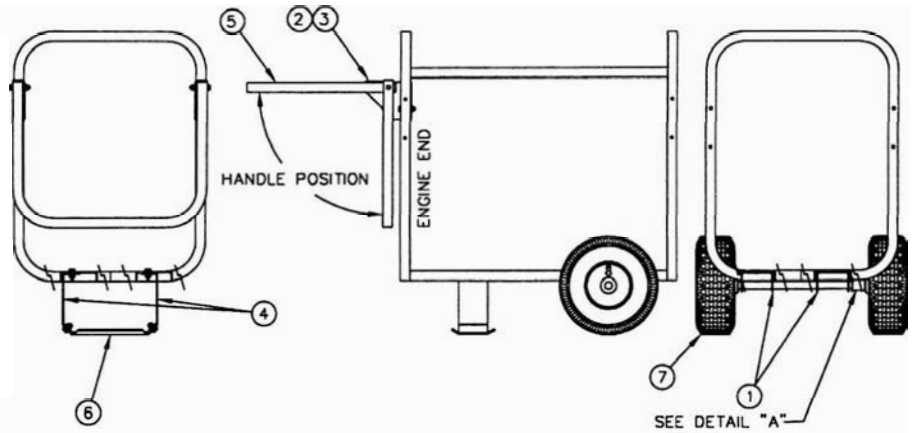
DESCRIPTION	COV4400HE	COV5500HE	COV6500HE	COV8500VES
RECEPTACLE PANEL ASY	300023-1	300023-2	300023-4	300023-3
1 CIRCUIT BREAKER	57030-1(20A)	EE28094S(25A)	EE28094S(25A)	57030-3(35A)
2 CIRCUIT BREAKER	240013200(20A)	240013200(20A)	240013200(20A)	240013200(20A)
3 SWITCH, 30A FULL POWER	240027033	240027033	240027033	240027033
4 SWITCH	64089	64089	64089	64089
5 RECEPTACLE, 120/240 NEMA L14-30	97360	97360	97360	97360
6 RECEPTACLE, 120V NEMA 5-50	54545	54545	54545	54545
7 GFCI, NEMA 5-15 120V	240007401	240007401	240007401	240007401
8 DUPLEX, NEMA 5/15 120V	240008150	240008150	240008150	240008150
9 MOUNTING STRAP	64045-1	64045-1	64045-1	64045-1
10 IDLE CONTROL	300042	300042	300042	300042
11 CONTROL, FRONT	300029	300029	300029	300029
12 PLATE, COVER	300061	300061	300061	300061
13 BACK (NOT SHOWN)	300030	300030	300030	300030
14 RESISTOR ASSEMBLY	300109	300109	300109	300109

RECEPTACLE PANEL ASSEMBLY PARTS ILLUSTRATION & WIRING DIAGRAM COV6500HE & COV8500VES



OPTIONAL WHEEL KIT PK300

**FOR MODELS:
 EL4400PRO
 EL5500PROS
 COV4400HE
 COV5500HE
 COV6500HE
 COV8500VES**



DESCRIPTION		PK300	QUANTITY
WHEEL KIT			
1	SUPPORT AXLE	300065	2
2	SUPPORT, RIGHTHANDLE	300066-1	1
3	SUPPORT, LEFTHANDLE	300066-2	1
4	SIDE, REAR SUPPORT	300067	2
5	HANDLE	300068	1
6	BOTTOM, REAR SUPPORT	300094	1
7	WHEEL & TIRE ASSEMBLY	43657-1	2
8	HUBCAP	64327	2
9	SPACER, AXLE	64688-4	1