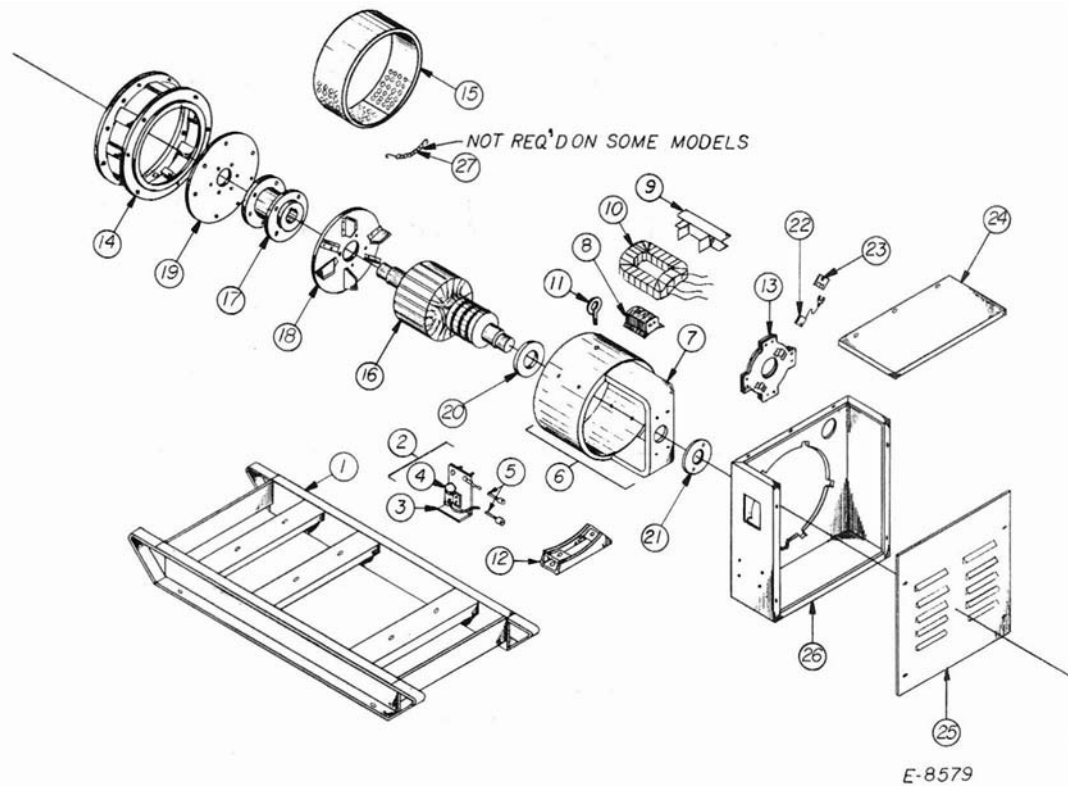


REF. NO.	PART NO.	PART DESCRIPTION	REQ/UNIT
1	Not Applicable		1
2	Not Applicable		1
3	Not Applicable		4
4	Not Applicable		8
5	Not Applicable		4
6	Not Applicable		1
7	G-5458	Field Frame Assembly	1
8	G-4775-2	Field Frame	1
9	G-4777	Field Pole Assembly	1
10	J-528-1	Coil Shield	1
11	H-984	Field Coil	1
12	S-859	Lift Eye	1
13	G-5225	Generator Support	1
14	G-5459	Brush Gear Assembly	1
15	I-851	Engine Adapter	1
16	S-7037	Cover - Engine Adapter	1
17	G-4766-86	Armature Assembly	1
18	I-854	Coupling Hub	1
19	G-2313-10	Fan	1
20	S-6404	Coupling Disc	3
21	D-8	Bearing	1
22	W-43	Bearing Retainer	1
23	Y-51	Brush	8
24	G-3422	Brush Spring	8
25	S-6927-1	Cover, Panel Top	1
26	S-5851-2	Panel Front	1
27	G-5456-13	Panel Back Assembly	1

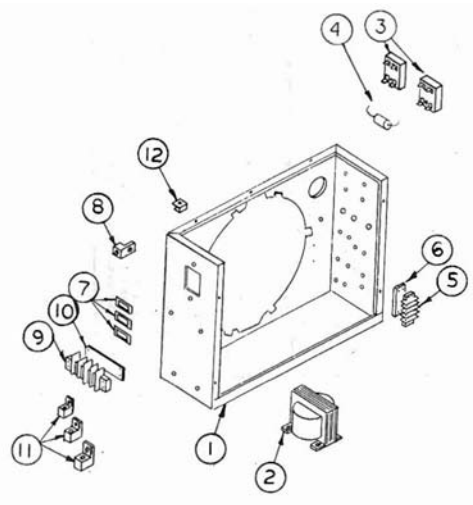


WINPOWER CORPORATION

Model CM12S4-C/A Type 1
 12.5 KW 12.5 KVA 1 P.F. 60 HZ
 1 Phase 52.08 Amps 3 Wire
 120/240 Volts 105 °C Rise
 Wiring Diagram IC-5865
 Released: 1-4-77



E-8579

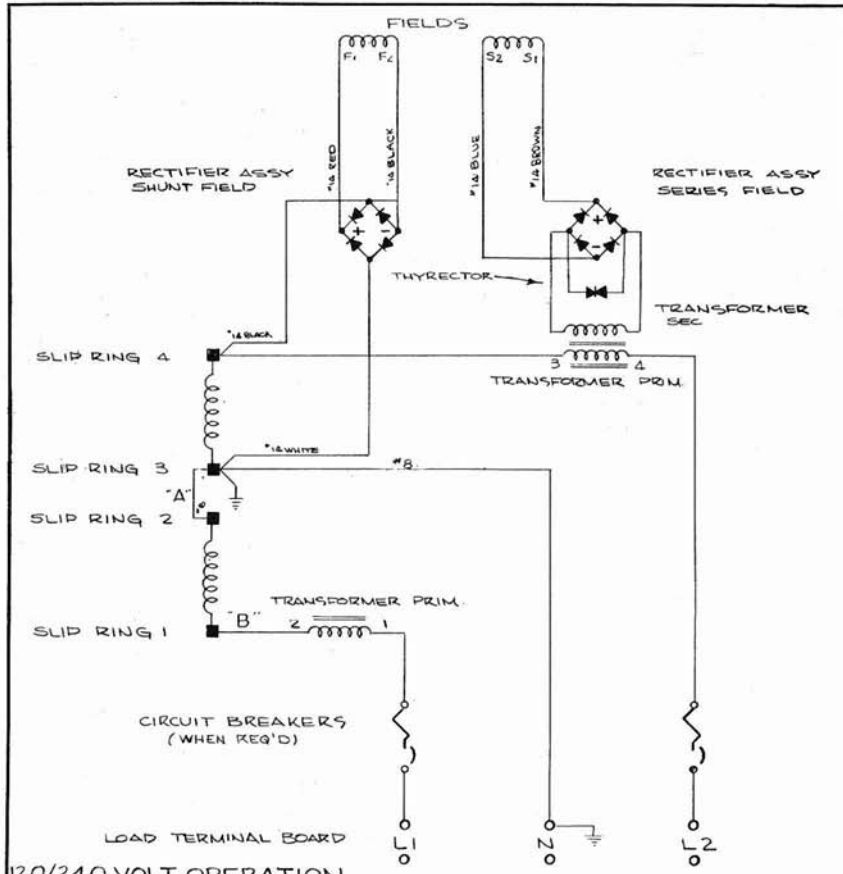


REF. NO.	PART NO.	PART DESCRIPTION	REQ/UNIT
1	G-5838-3	Panel Back Assembly	1
2	EE-1960	Transformer	1
3	EE-2214	Rectifier Assembly	2
4	Not Applicable		
5	Not Applicable		
6	Not Applicable		
7	EE-779	Filler Plate	
8	EE-1671	Lug	
9	EE-658	Terminal Board	
10	EE-658-1	Marker Strip	
11	Not Applicable		
12	4957	Tinnerman	7

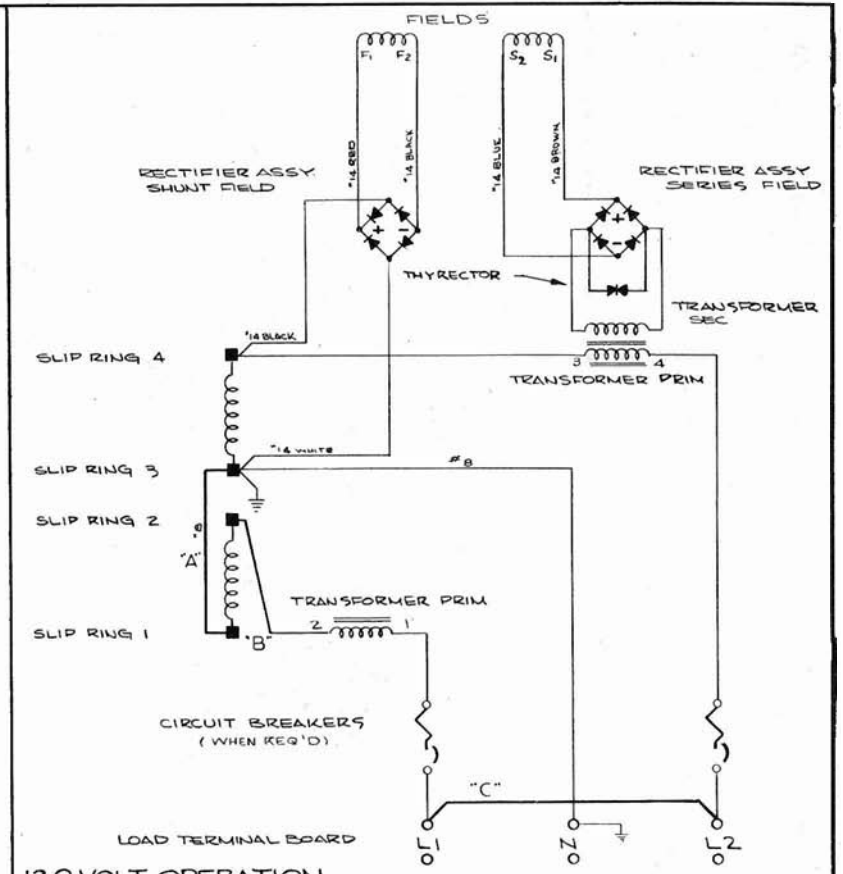
PL-1796

E-8574

IC-5865



120/240 VOLT OPERATION



120 VOLT OPERATION

E	DELETE OLD TERM RD	9-18-74	T.C.G.		
D	REVISED CONDENSOR	6-7-74	SF.	219, 642-74	
C	ADDED COLOR	3-9-71	JFP		F REVISED 12-5-74 E.J. TCG 12-7-74
B	REVISED CONDENSOR	8-10-70	JFP		
A	ADDED WIRING REQ'D	4-16-69	JFP		
CHANGE	WAS ORIGINALLY	DATE	CHK'D	CHG. REQUEST	
TOLERANCE ON DIMENSIONS NOT OTHERWISE SPECIFIED		DECIMAL ±	FRACTIONAL ±	ANGULAR ±	REMOVE ALL BURRS BREAK ALL SHARP MACHINED EDGES
		NO. REQ'D.	MICROFILM DATA		JUL 14 1979
MATERIAL _____					

RECONNECTION INSTRUCTIONS:
 WHEN CHANGING FROM 120/240V TO 120V
 ONLY 3 CONNECTIONS ARE AFFECTED, THEY
 ARE LETTERED "A", "B", & "C".
 JUMPER "C" - NOT USED ON 240V CONNECTIONS

FORMERLY 3-1878			
WIRING DIAGRAM			
SCALE ~	MODEL NO.		
DATE 8-21-67	PART NO.		
DWN T.C.G.	CHK'D		
WINPOWER MFG. CO. NEWTON, IOWA			

IC-5865