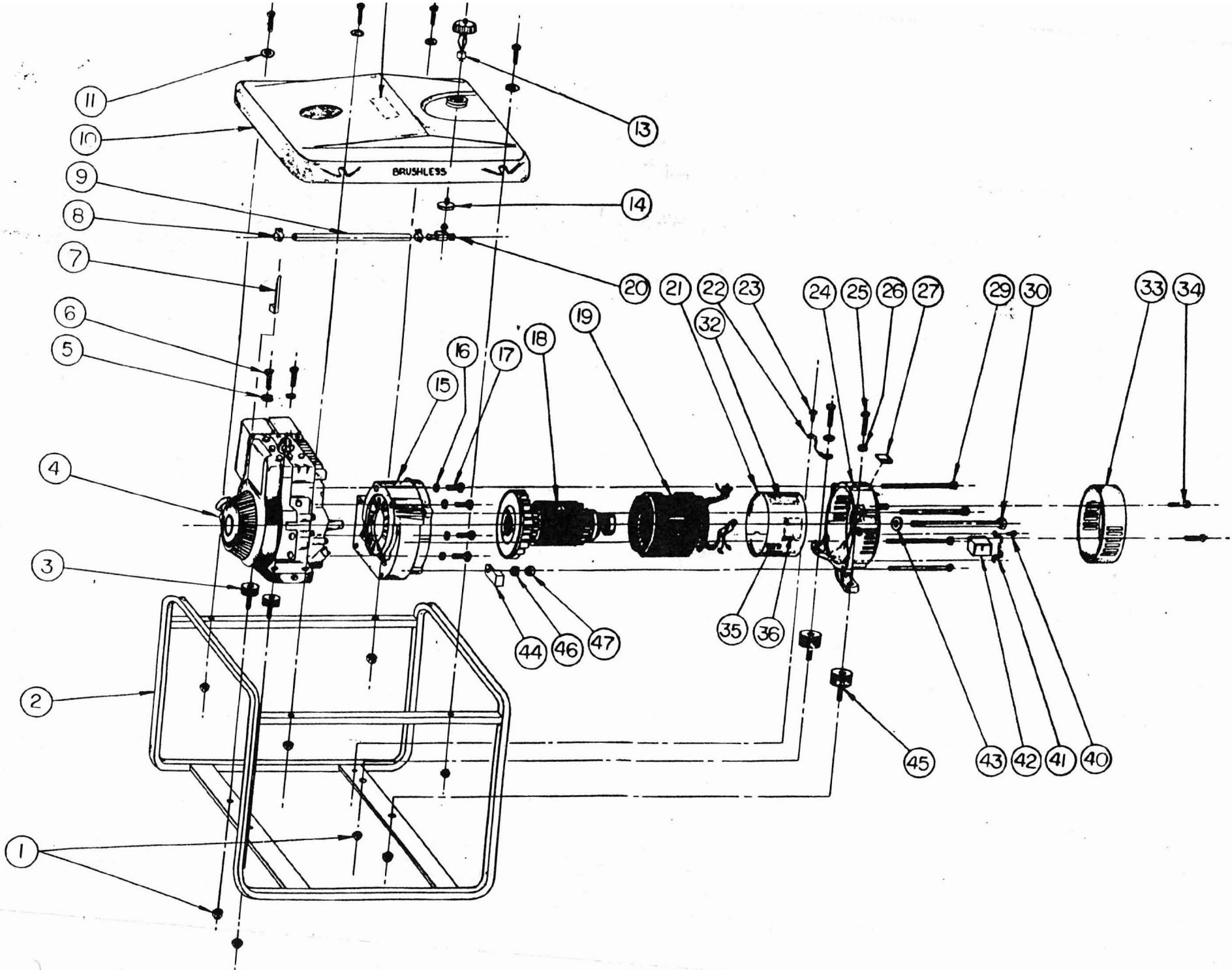


VIII. DIAGRAMS & PARTS LISTS

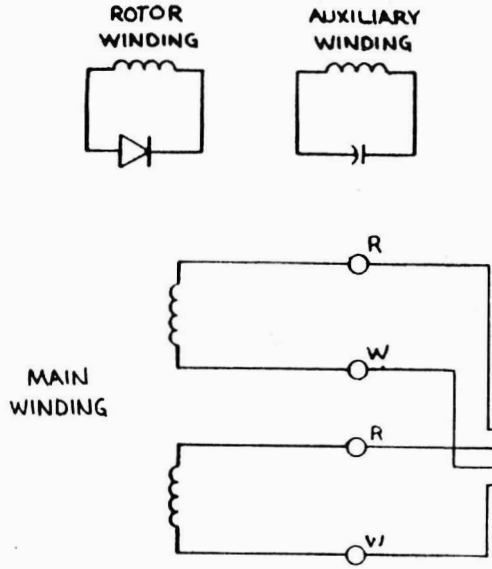
PARTS LIST FOR CD2500

<u>ITEM #</u>	<u>PART #</u>	<u>DESCRIPTION</u>	<u>QUANTITY REQUIRED</u>
1.	240016001	5/16-18 NYLOK HEX NUT	8
2.	240001190	CARRY FRAME	1
3.	240009001	VIBRATION ISOLATOR	2
4.	248002180	BRIGGS 5 HP ENGINE	1
5.	240015004	5/16 LOCK WASHER	2
6.	240017003	5/16-18 X 1.5 HXHD SCREW	6
7.	240020028	WIRE TIE	1
8.	240024001	HOSE CLAMP	2
9.	240300250	.25 FUEL LINE	1.17 FT
10.	240022002	3.5 GALLON FUEL TANK	1
11.	240015004	5/16 FLAT WASHER	6
12.			
13.	240020003	FUEL CAP WITH GAUGE	1
14.	244020002	FUEL LINE SHUTOFF GROMMET	1
15.	240006200	ENGINE ADAPTER CASTING	1
16.	240015004	5/16 LOCK WASHER	4
17.	240017002	5/16-18 X .75 HXHD CAP SCREW	4
18.	240006210	ROTOR	1
19.	240006220	STATOR	1
20.	244020001	FUEL LINE SHUTOFF	1
21.	240006230	COVER BAND	1
22.	240011001	GROUND STRAP ASSEMBLY	1
23.	240017001	10-24 X 3/8 THD. FORM SCREW	1
24.	240006240	ENDBELL CASTING	1
25.	240017006	5/16-18 X 1.25 HXHD CAP SCREW	2
26.	240015004	5/16 LOCK WASHER	2
27.	240039020	GROMMET	1
28.			
29.	240006250	CASTING DRAW BOLTS	4
30.	240006260	ROTOR DRAW BOLT	1
31.			
32.			
33.	248012610	END PANEL ASSEMBLY	1
34.	240006060	END COVER MTG. SCREW	2
35.	240021016	DECAL - GROUND	1
36.	240021015	DECAL - ID TAG	1
37.			
38.			
39.			
40.	240006070	SCREW M5 X 12MM	1
41.	240006080	CAPACITOR MTG. BRACKET	1
42.	240006270	CAPACITOR	1
43.	240015002	5/16 FLAT WASHER	1
44.	240010002	GROUND LUG	1
45.	240009020	VIBRATION ISOLATOR	2
46.	240015020	1/4 LOCK WASHER	1
47.	240016020	M6 METRIC HEX JAM NUT	1

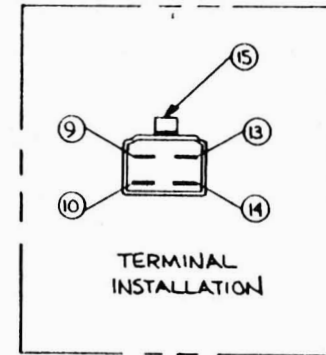
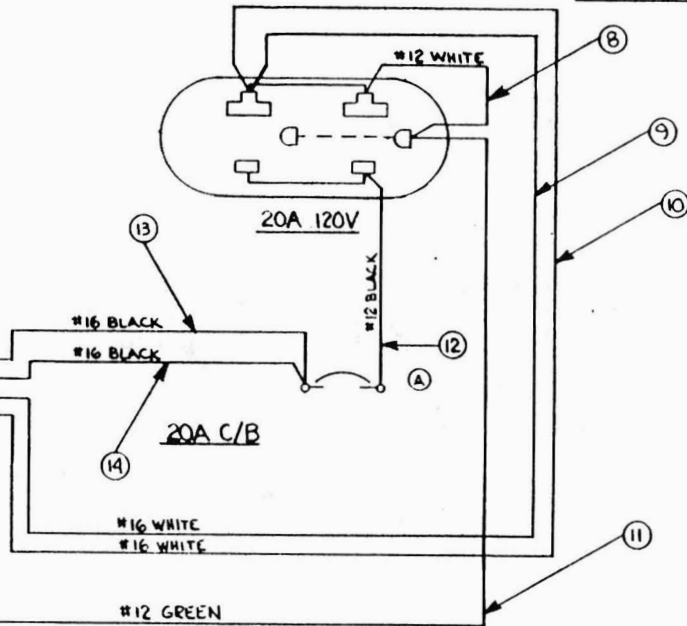


019210812
ON 18V4

GENERATOR



END COVER (REAR VIEW)



LEAD	WIRE				TERMINALS	
ITEM	WIRE ASSY #	SIZE	COLOR	LENGTH	A END	B END
8	248044043	#12	WHITE	4"	240019001	240019001
9	248049056	#16	WHITE	5"	240019007	240019030
10	248049056	#16	WHITE	5"	240019007	240019030
11	248044062	#12	GREEN	6"	240019001	240019001
12	248045051	#12	BLACK	5"	240019001	240019060
13	248059055	#16	BLACK	5"	240019050	240019080
14	248059055	#16	BLACK	5"	240019050	240019080
15	—	—	—	—	—	240019040

13

GROUND CONNECTION ON GENERATOR END CASTING.

6-11-90	B	REV DWG NAME	6903	RRC
4-2-90	A	REV DWG. SEC ECU	6873	RRC
DATE	LET.	REVISION RECORD	C/N	DR
SCALE NONE		DRAWN BTC	DATE 2-27-90	CODE
CHK'D JEC	APP. KAL 5-6-90	RELEASED 2-28-90	ON ECU 6882	EXT
THE PIERCE COMPANY, INC. A SUBSIDIARY OF AVIS INDUSTRIAL CORPORATION UPLAND, IND. U.S.A. 46988				EL 1500 CDR 900 (B)
NAME PANEL ASSY (B)				PATTERN
2.2 KW UNITS				REV B
PART NO 248012610				REV B

TOLERANCES UNLESS OTHERWISE SPECIFIED:

.000 ALLOW ± .003
.00 ALLOW ± .010
ON ANGLES ALLOW ± 1°
DRILLED HOLES ± .008 ... 000

□ RUNOUT	— STRAIGHT
○ FLATNESS	● CONCENTRIC
∠ ANGULARITY	∥ PARALLEL
⊥ SQUARE	○ ROUND
◆ TRUE POSITION	⊙ CENTRAL

MAT'L NOTED

TREAT //

SHEET 2 OF 2
(SHEET 1 OF 2 IS "B" SIZE)

CD2500