

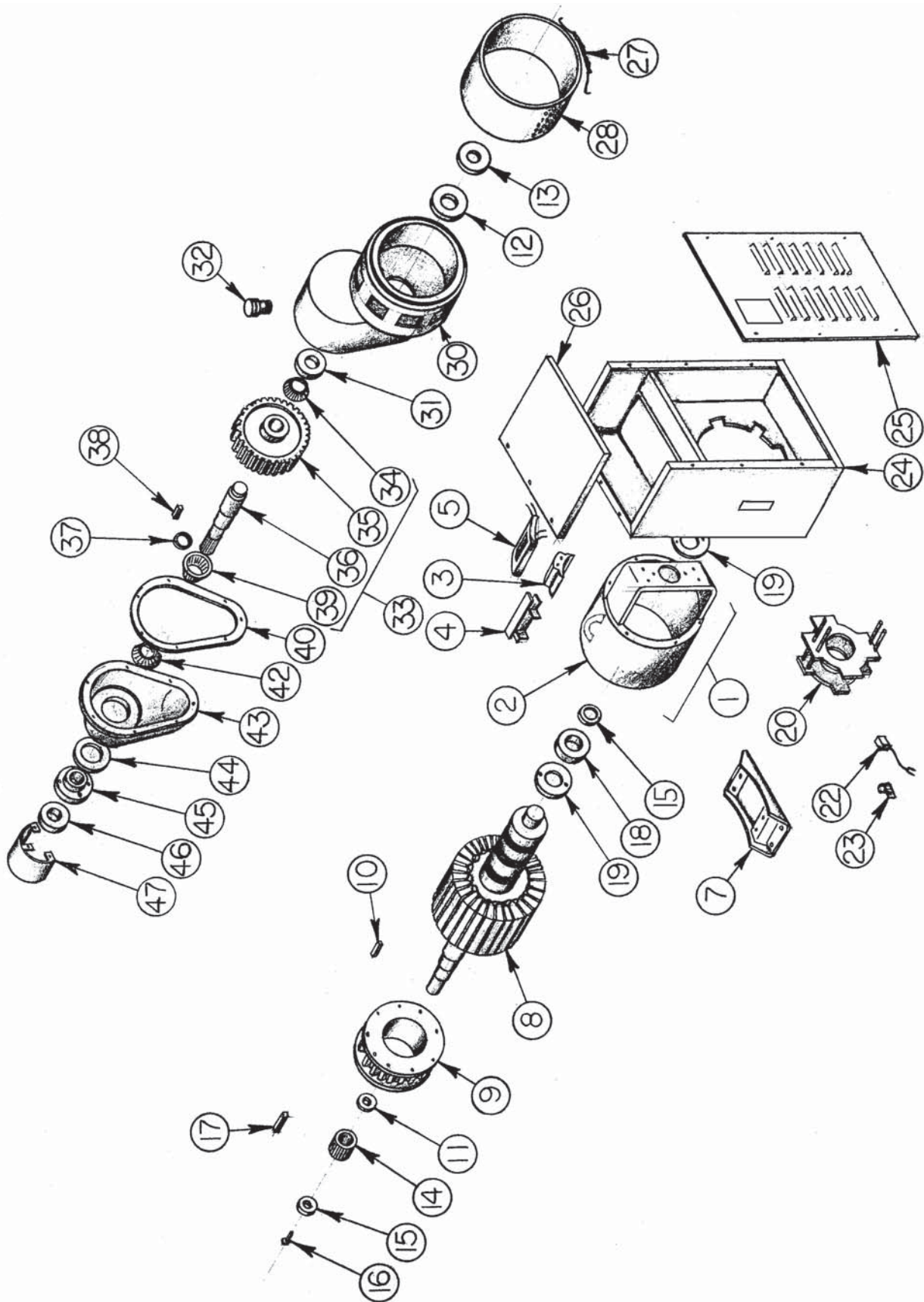
# **WINPOWER**

## **ILLUSTRATED PARTS LIST**

### **80/50PTCDF/T3**

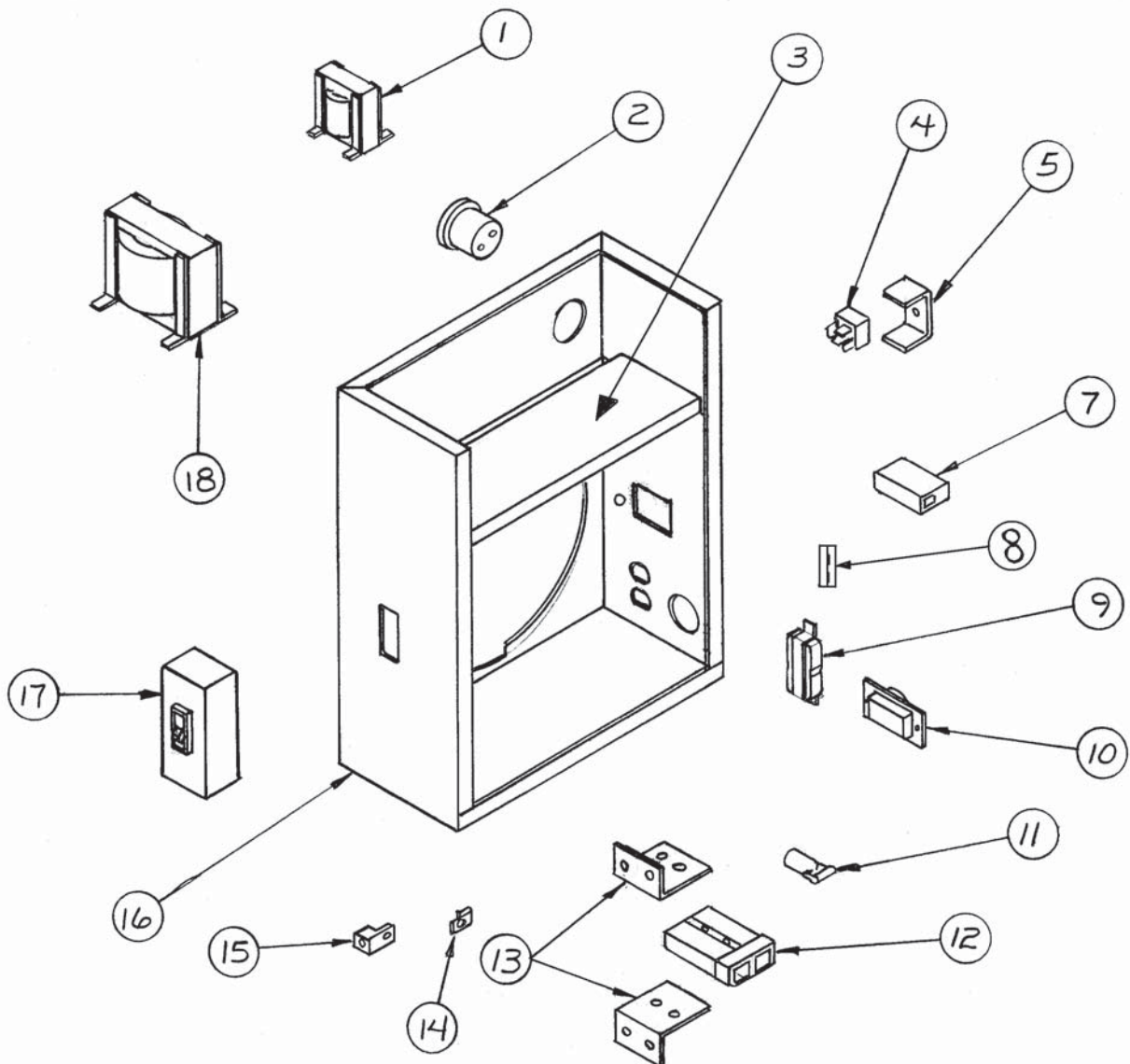


# GENERATOR ASSEMBLY



REF #	PART NUMBER	QTY	DESCRIPTION
1	G5909	1	Field Frame Assembly
2	G5938	1	Field Frame
3	G5936	4	Field Pole
4	J5141	8	Coil Shield
5A	H10911	2	Field Coil (Straight)
5B	H10912	2	Field Coil (Crossed)
7	G5940	1	Generator Base
8	G74044	1	Armature Assembly
9	G5971S	1	Fan
10	S205626	1	Fan Key
11	11112	1	Retaining Ring
12A	D73	1	Bearing DE (Needle Type)
12B	D732	1	Bearing Inner Race
13	X202	1	Grease Seal
14	S7404	1	Pinion Gear
15	S7261	2	Washer
16	35243	1	Screw
17	S205689	1	Sprocket Key
18	D8	1	Bearing (Slip Ring End)
19	W43	2	Bearing Retaining Washer
20	G74011	1	Brush Gear Assembly
22	Y51	18	Brush
23	G3422	18	Brush Spring
24	S74216	1	Panel Back & Sides
25A	S71702	1	Front Panel
25B	G7213	1	Hinged Cover
26	S7623	1	Top Cover
27	S7061	1	Spring
28	S7037	1	Wrapper
30	I8851	1	Gear Case Housing
31	D27	1	Bearing Cup
32	10801	1	Breather
33	G62351S	1	Drive Shaft Assembly
34	D28	1	Bearing Cone
35	S74056	1	Gear
36	N59310	1	Shaft 6-Spline 1-3/8" dia.
37	S7046	1	Hardened Washer
38	S205687	1	Key
39	D70	1	Bearing Cone
40	X197	1	Gasket

REF #	PART NUMBER	QTY	DESCRIPTION
42	D71	1	Bearing Cup
43	I884	1	Gear Case Cover
44A	X1981	as needed	Shim .001 Amber
44B	X1982	"	Shim .002 Red
44C	X1983	"	Shim .005 Blue
44D	X1984	"	Shim .010 Brown
44E	X1985	"	Shim .020 Yellow
44F	X1989S	"	Shim Kit
45	I883	1	Retainer Plate
46	X201	1	Upper Seal
47	S7606	1	PTO Guard
NI	300281	2	Terminal Box Stiffner
NI	Not Illustrated		



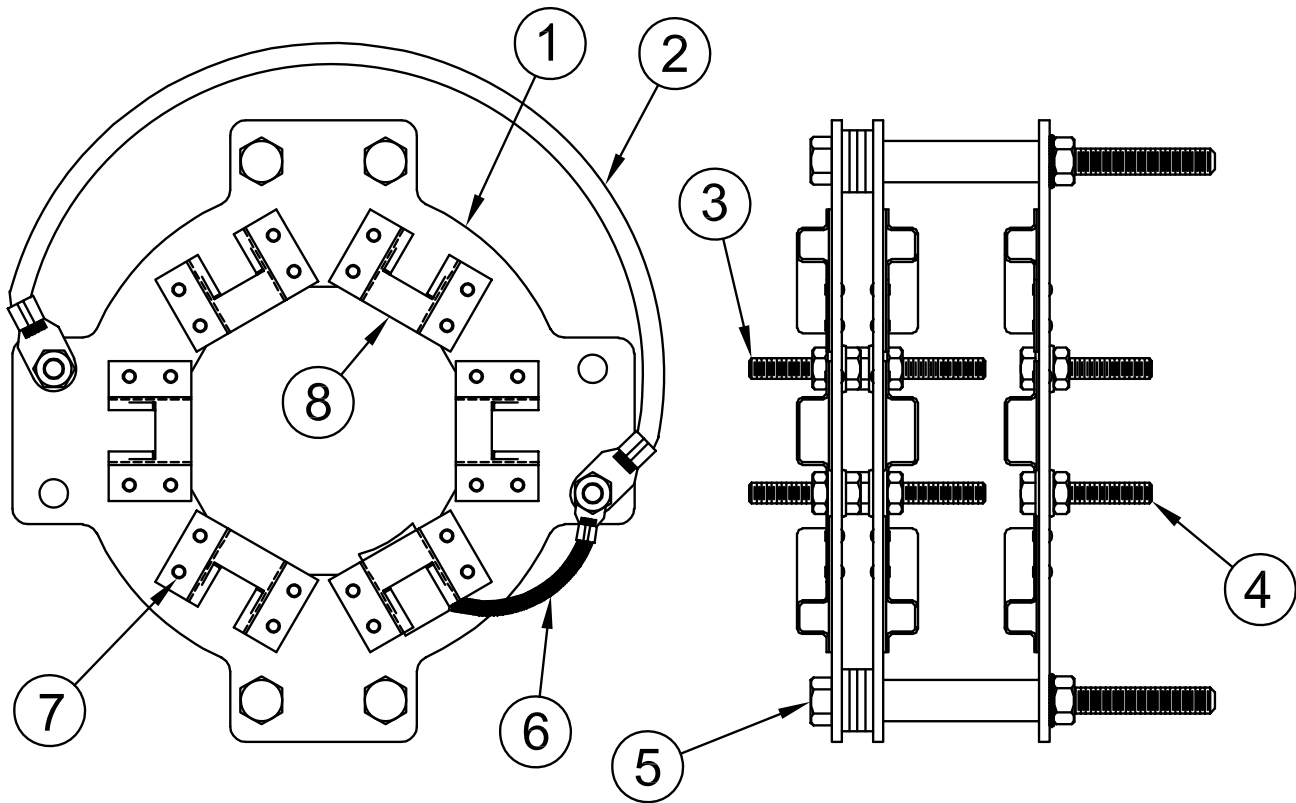
# END PANEL ASSEMBLY

REF #	PART NUMBER	QTY	DESCRIPTION
1	EE2052	1	Choke
2	300498	1	Frequency Meter
3	S71695	1	Shelf
4	EE2214	1	Rectifier
5	A788	1	Heat Sink
7	EE28098S	1	50A Circuit Breaker
8	91286-000	1	15A Circuit Breaker
9	EE323	1	15A Duplex Receptacle
10	EE399	1	50A Receptacle
11	EE23325	4	Contact
12	EE2331	2	Housing
13	S92861	2	Mounting Bracket
14	4957	12	Retaining Nut
15	63708-000	1	Ground Lug
16	S692813	1	Panel Bottom
17	EE1873S	1	200A Circuit Breaker
18	EE2053	1	Transformer

# DECALS

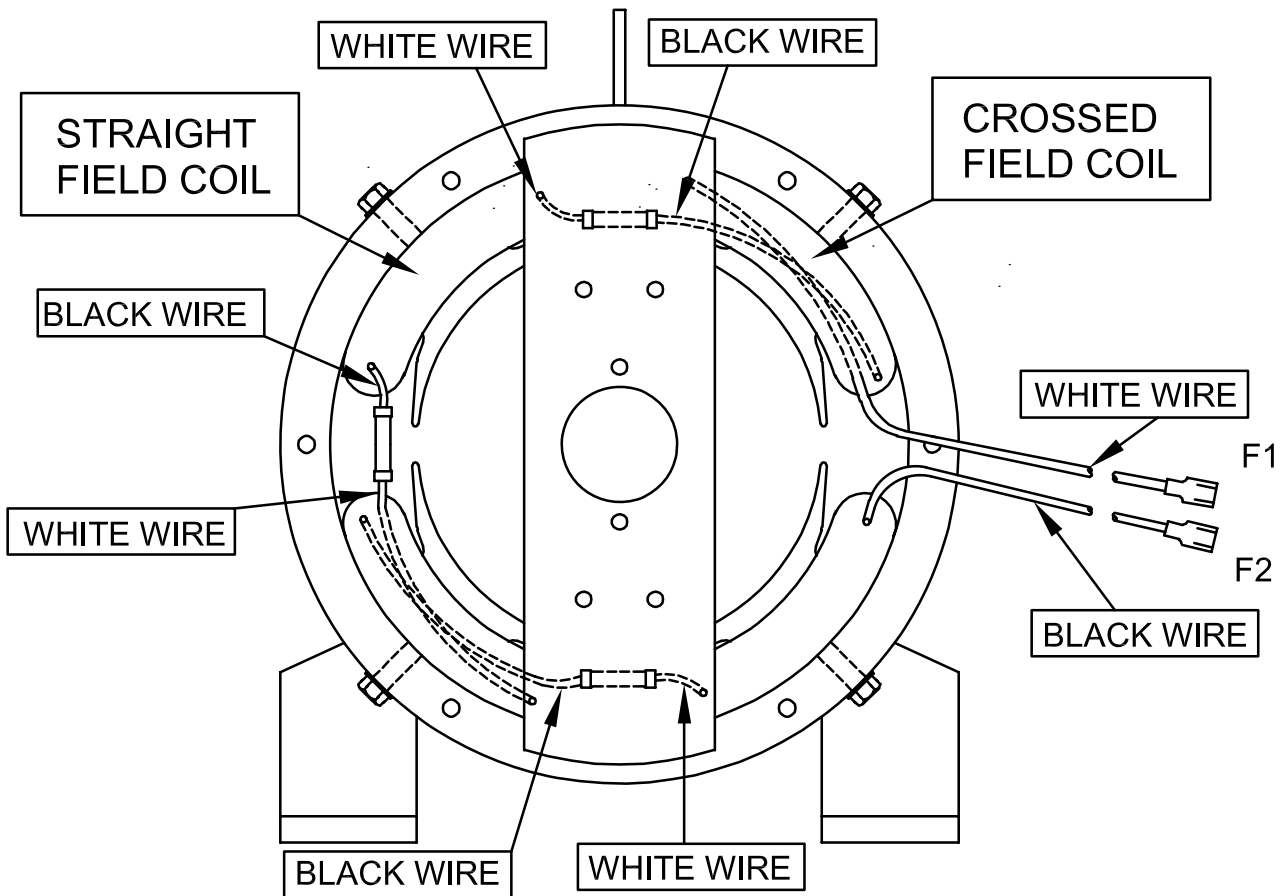
REF #	PART NUMBER	QTY	DESCRIPTION
NI	Z25081	2	Winpower Decal
NI	Z2516	1	Warning Decal
NI	Z25272	1	Connection Decal
NI	Z2553	1	Operating Decal
NI	Z2568	1	Danger PTO Decal
NI	Z9941	1	Oil Fill Decal
NI	91369-000	1	540 rpm Decal
NI	Z2599S	1	Decal Kit
NI	Not Illustrated		

# BRUSH RACK ASSEMBLY



REF #	PART NUMBER	QTY	DESCRIPTION
1	J558	3	Brush Ring
2	Reference	3.88 FT	# 6 AWG Wire
3	439-000	2	1/4" - 20 X 1" Bolt
4	95281-000	4	1/4" - 20 X 1.25" Bolt
5	468-001	4	5/16"-18 X 4.5" Bolt
6	Y51	18	Brush
7	7001	72	Rivet
8	B61721	18	Brush Holder
NI	S630510	4	Spacer
NI	Not Illustrated		

# FIELD FRAME ASSEMBLY



## RESISTANCE VALUES:

ARMATURE: RING 1 & 2	RING 1 & 3	RING 2 & 3
.035 Ohms	.025 Ohms	.041 Ohms

FIELDS: F1 - F2  
2.3 Ohms per coil

# **WINPOWER**

225 S. CORDOVA AVE.  
LECENTER, MN 56057  
507-357-6821  
SERVICE DEPT.  
507-357-6831

