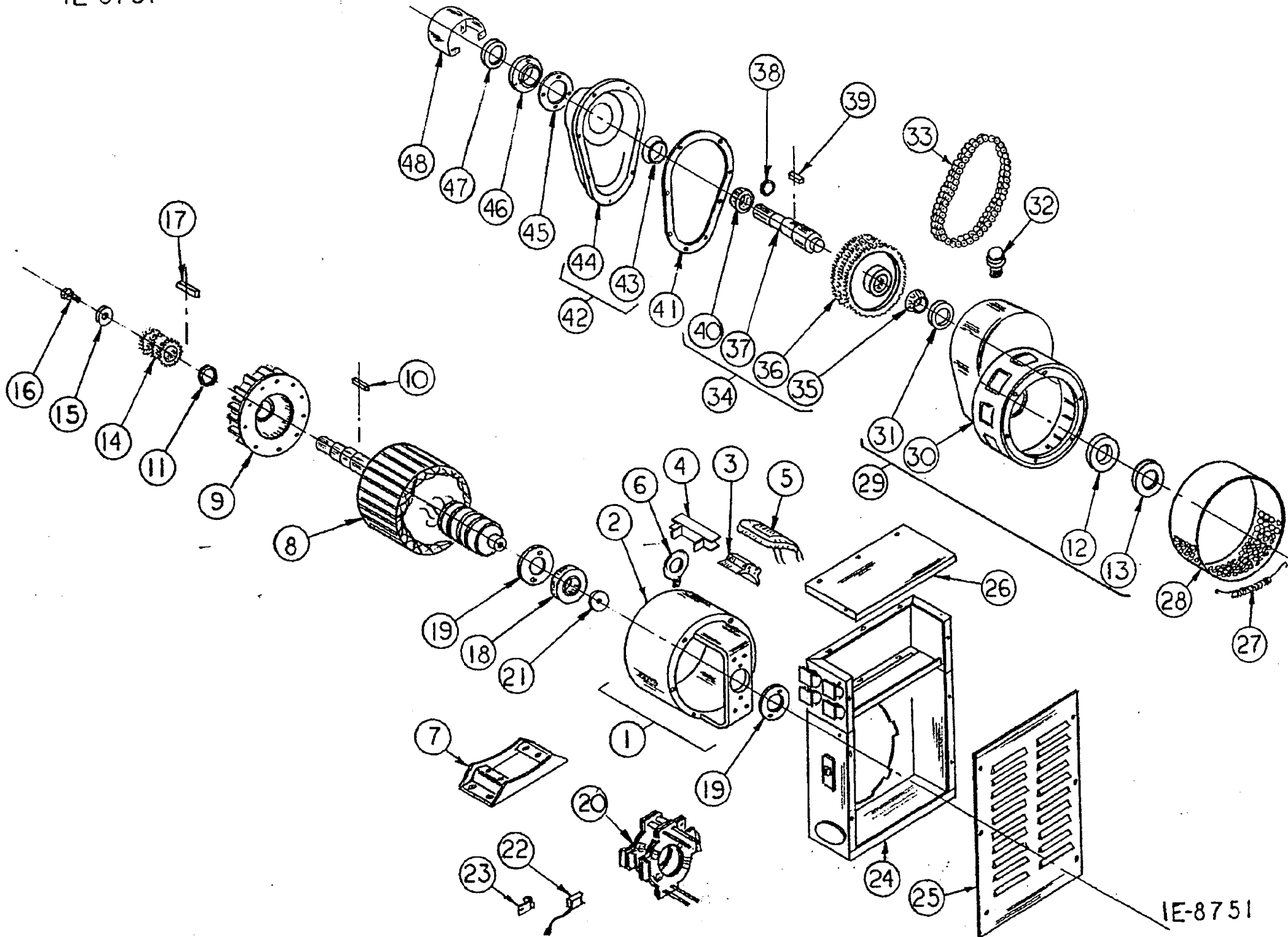


PARTS LIST  
TRACTOR DRIVEN ALTERNATOR  
80/40PT3JM (1000 RPM)  
80/40PT3JD (540 RPM)

<u>FIND NO.</u>	<u>PART NO.</u>	<u>DESCRIPTION</u>	<u>REQ/UNIT</u>
1	G-5909	Field Frame Assy	1
2	G-5938	Field Frame	1
3	G-5936	Field Pole	1 Set
4	J-514-1	Coil Shield	8
5	H-1091	Field Coil	1 Set
6	S-7044	Lift Eye	1
7	G-5940	Base Assembly	1
8	G-5939-4	Armature Assy	1
9	G-5971	Fan Assy	1
10	S-2056-26	Fan Key	1
11	11112	Retaining Ring	1
12	D-73	Bearing - DE	1
13	X-202	Grease Seal	1
14	S-6779-1	Sprocket - Lower 3 Row (1000 RPM)	1
14	S-7075	Sprocket - Lower 4 Row (540 RPM)	1
15	S-7261	Washer	1
16	3524-3	Screw	1
17	S-2056-89	Key - Sprocket	1
18	D-8	Bearing - Slip Ring End	1
19	W-43	Bearing Retainer	2
20	G-5945	Brush Gear Assy	1
21	S-7261	Washer	1
22	Y-122	Brush	16
23	G-3422	Brush Spring	16
24	G-5975	Panel Back Assy	1
25	S-7170	Panel Front	1
26	S-6927	Panel Top Cover	1
27	S-7061	Spring	1
28	S-7037	Wrapper	1
29	G-5908	Gear Case Housing Assy	1
30	IO-869	Housing	1
31	D-27	Bearing Cup	1
32	10800	Vent Cap	1
33	G-4333	Drive Chain 3-row (1000 RPM)	1
33	G-6078	Drive Chain 4-row (540 RPM)	1
34	G-5964	Drive Shaft Assy (1000 RPM)	1
34	G-5925-1	Drive Shaft Assy (540 RPM)	1
35	D-28	Bearing Cone	1
36	S-6778-1	Sprocket - 3 Row (1000 RPM)	1
36	S-7300	Sprocket - 4 Row (540 RPM)	1
37	N-593-3	Shaft - 21 Spline 1-3/8 Dia (1000 RPM)	1
37	N-593-4	Shaft - 6 Spline 1-3/8 Dia (540 RPM)	1
38	S-7046	Washer - Hardened	1
39	S-2056-86	Key (1000 RPM)	1
39	S-2056-87	Key (540 RPM)	1
40	D-70	Bearing Cone	1
41	X-197	Gasket	1
42	G-5924	Gear Case Cover Assy	1
43	D-71	Bearing Cup	1
44	IO-868	Gear Case Cover	1
45	X-198	Gasket	AR
46	IO-867	Retainer Plate	1
47	X-201	Seal - Upper	1
48	G-4770	PTO Guard	1

IE-8751



IE-8751

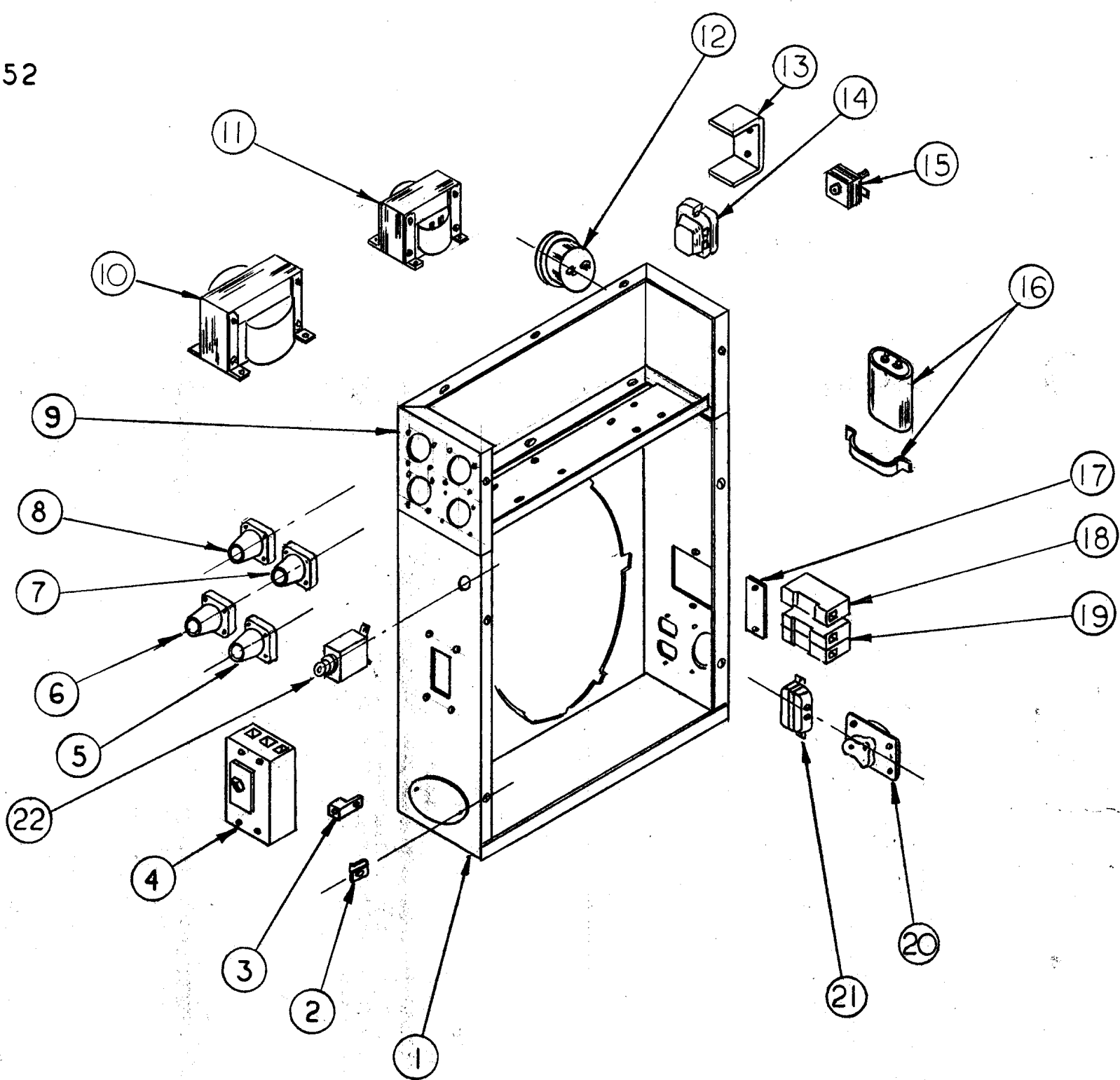
PARTS LIST  
 PANEL G-5975

<u>FIND NO.</u>	<u>PART NO.</u>	<u>DESCRIPTION</u>	<u>REQ'D/UNIT</u>
1	G-5838-5	Panel Weld Assembly	1
2	4957	Tinnerman	9
3	EE-1671	Ground Lug	1
4	EE-1863	Circuit Breaker	1
5	EE-1337-4	Load Recept. (Orange)	1
6	EE-1343	Load Recept. (White)	1
7	EE-1337-1	Load Recept. (Red)	1
8	EE-1337-2	Load Recept. (Black)	1
9	G-5973	Upper Panel	1
10	EE-1977	Transformer	1
11	EE-1978	Choke	1
12	VM-716	Voltmeter	1
13	A-788	Heat Sink	1
14	EE-2214	Rectifier Assy	1
15	085	Thyrector	1
16	EE-1539	Capacitor & Strap	1
17	S-5027-1	Mtg. Plate	1
18	EE-1830	Circuit Breaker 15 Amp	1
19	EE-1805	Circuit Breaker 50 Amp	1
20	EE-303	Receptacle 50 Amp	1
21	EE-323	Receptacle 15 Amp	1
22	EE-1865	Field Circuit Breaker	1

Wiring Diagram E-8449

Parts Diagram E-8752

1E-8752

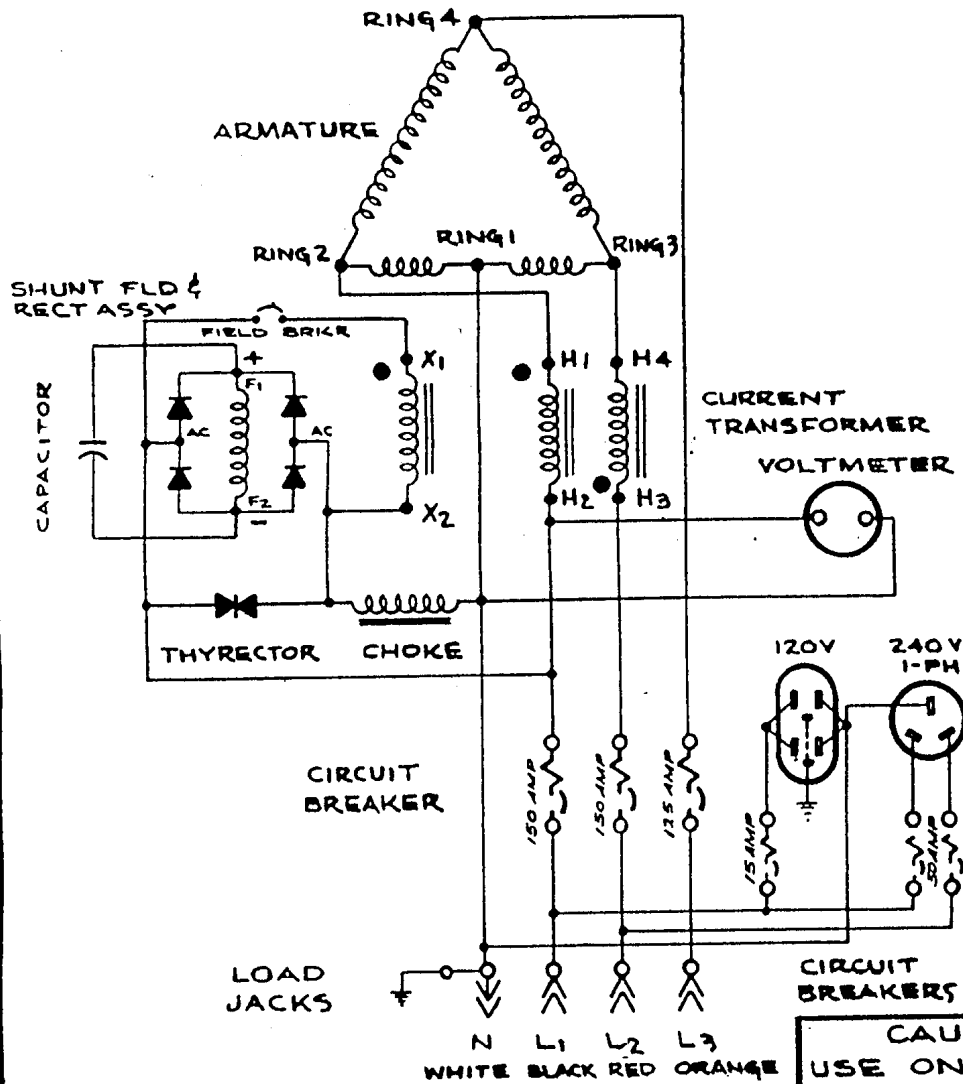


JUN 27 1974

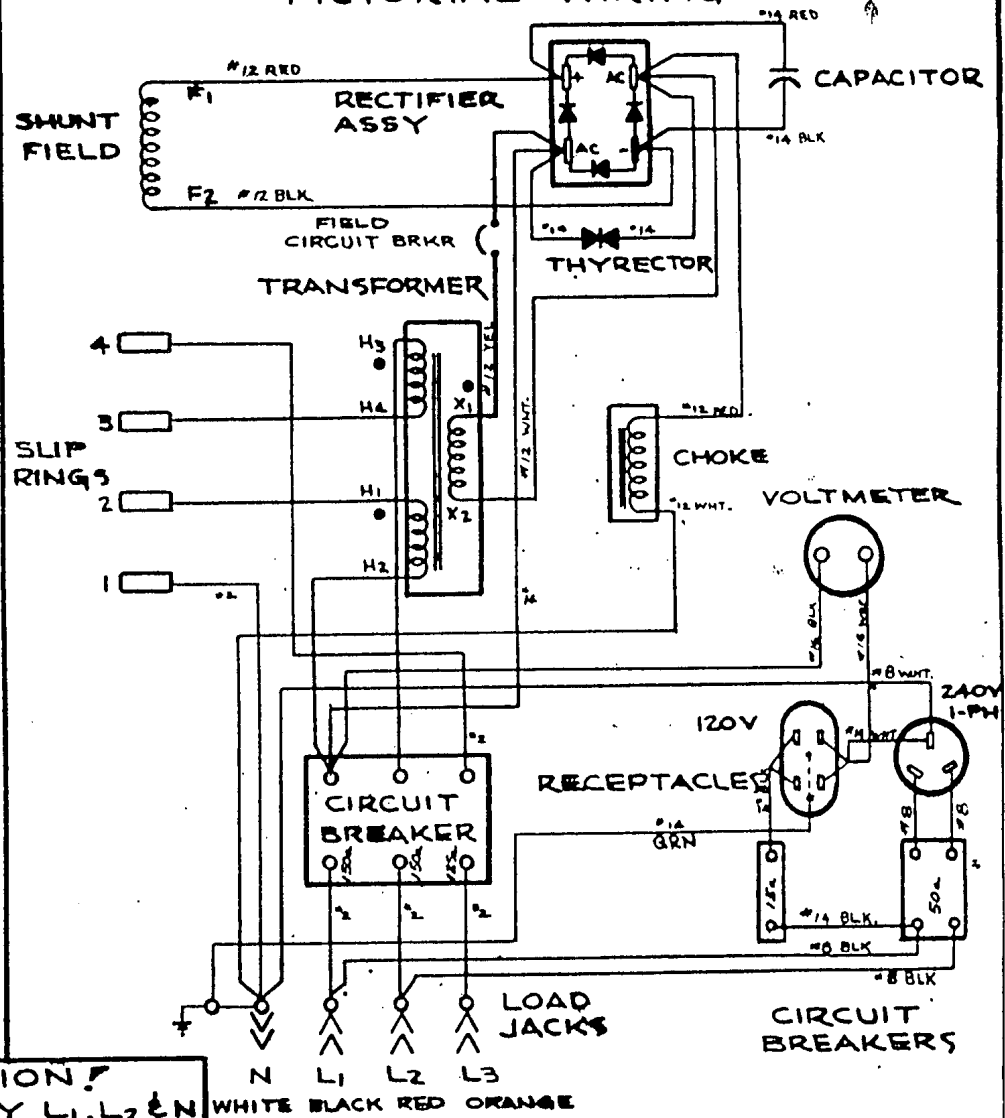
1E-8752

# 80/40PT3J

## SCHEMATIC WIRING



## PICTORIAL WIRING



**CAUTION!**  
USE ONLY L1, L2 & N  
FOR SINGLE PHASE  
LOADS.

C	REVISED COLOR CODE	6-12-74	SF	RLT
B	ADDED FIELD BRKR	4-14-72	T.C.G.	
A	REVISED AND REDRAWN	7-23-71	T.C.G.	
CHANGE	WAS ORIGINALLY	DATE	CHK'D	CHG. REQUEST

TOLERANCE ON DIMENSIONS NOT OTHERWISE SPECIFIED

DECIMAL	±
FRACTIONAL	±
ANGULAR	±

REMOVE ALL BURRS  
BREAK ALL SHARP  
MACHINED EDGES

NO. REQ'D. \_\_\_\_\_

MICROFILM DATA JUN 27 1974

**MATERIAL** \_\_\_\_\_

<b>WIRING DIAGRAM</b>	
SCALE ~	MODEL NO. _____
DATE 7-23-71	PART NO. <b>2-2273</b>
BY T.C.G.	CHK'D _____
<b>WINPOWER MFG. CO.</b> NEWTON, IOWA	
E. P. A. A. G	