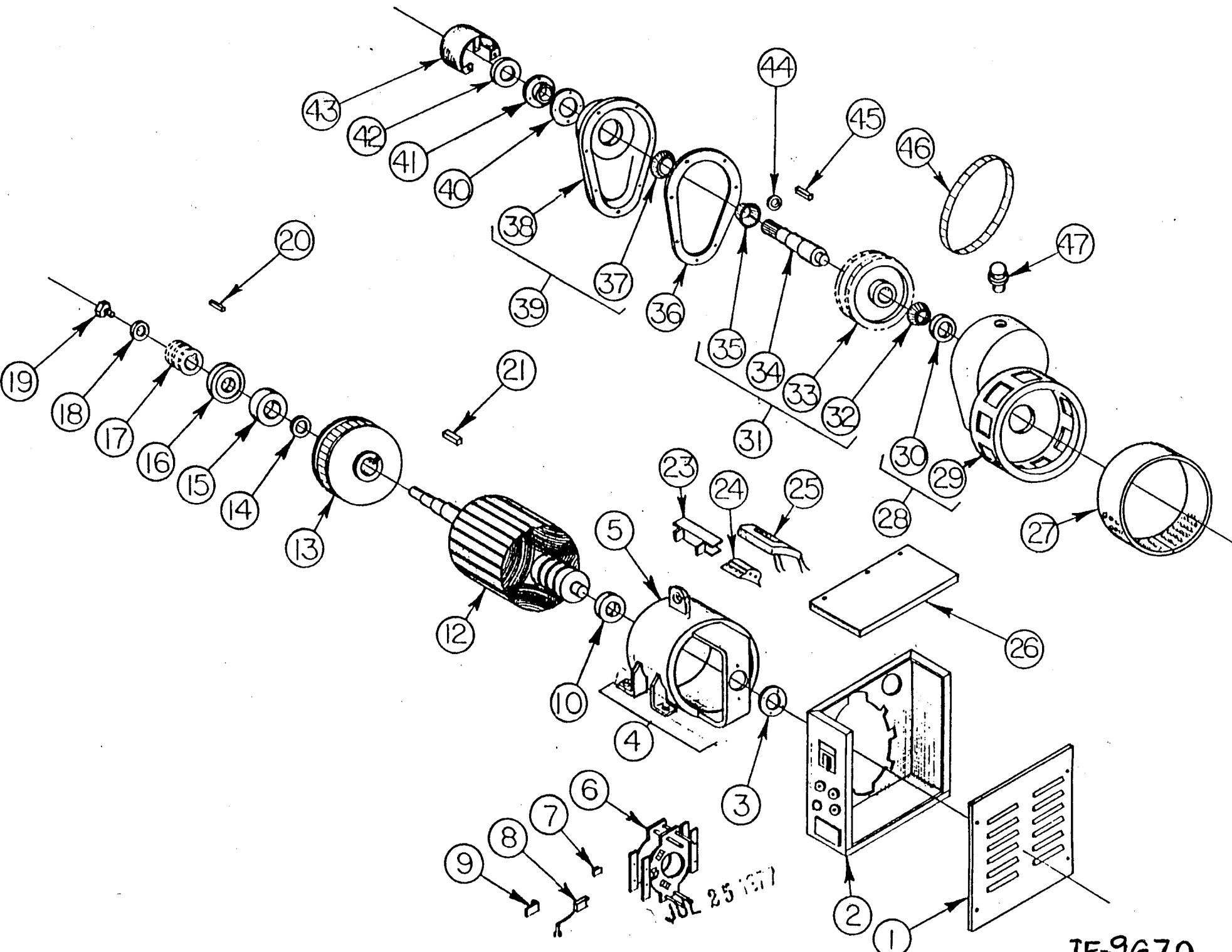


		MODEL 50/30PTJD		MODEL 50/30PTJM	
		TYPE 1		TYPE 1	
REF.	PART DESCRIPTION	PART NO.	REQ'D	PART NO.	REQ'D
1	Panel Front	G-7231	1		
2	Panel Back Assembly	G-5434-44	1		
3	Bearing Retainer	W-43	1		
4	Field Frame Assembly-Elec.	G-5432-37	1		
5	Field Frame	G-6362	1		
6	Brush Gear Assembly	G-5430	1		
7	Tinnerman	4996	6		
8	Brush	Y-51	12		
9	Brush Spring	G-3422	12		
10	Bearing-Slip Ring End	D-8	1		
11	N.A.				
12	Armature	G-7452-14	1		
13	Fan Assembly	G-5878-1	1		
14	Washer	S-7019	1		
15	Bearing - DE	D-3	1		
16	Grease Seal	TE-888	1		
17	Sprocket-Lower	S-9630	1	S-9631	1
18	Washer	1211	1		
19	Screw	11508	1		
20	Key - Sprocket	S-2056-44	1		
21	N.A.				
22	N.A.				
23	Coil Shield	J-635	8		
24	Field Pole	G-5037-1	4		
25	Field Coil	H-1247	4		
26	Panel Top Cover	S-7623-2	1		
27	Wrapper	S-7037	1		
28	Gear Case Housing Assy.	G-5922	1		
29	Housing	I-885	1		
30	Bearing Cup	D-27	1		
31	Drive Shaft Assembly	G-5925-1	1	G-5964	1
32	Bearing Cone	D-28	1		
33	Sprocket	S-7300	1	S-6778-1	1
34	Shaft Splined 1-3/8 Dia.	N-593-4	1	N-593-3	1
35	Bearing Cone	D-70	1		
36	Gasket	X-197	1		
37	Bearing Cup	D-71	1		
38	Gear Case Cover	I-884	1		
39	Gear Case Cover Assy.	G-5924	1		
40	Shim .001 Thick Amber	X-198-1			
a	Shim .002 Thick Red	X-198-2			
b	Shim .005 Thick Blue	X-198-3			
c	Shim .010 Thick Brown	X-198-4			
d	Shim .020 Thick Yellow	X-198-5			
41	Retainer Plate	I-883	1		
42	Seal - Upper	X-201	1		
43	PTO Guard	S-7606	1		
44	Washer - Hardened	S-7046	1		
45	Key	S-2056-87	1	S-2056-86	1
46	Drive Chain	G-7467	1	G-7506	1
47	Vent Cap	10801	1		

Wiring Diagram IC-6995
Parts Drawing IE-9670

NOTE: All parts and quantity remain the same, except as noted.

PL-2202
(Sheet 1 of 2)



JUL 25 1971

IE-9670

		PANEL <u>G-5434-44</u>	
		TYPE <u>1</u>	
REF.	PART DESCRIPTION	PART NO.	REQ'D
1	Choke	EE-2056	1 *
2	Receptacle 250 Volt	EE-399	1
3	Receptacle Duplex	EE-323	1
4	Circuit Breaker 50 Amp	EE-1805	1
5	Circuit Breaker 15 Amp	EE-1830	1
6	Mounting Plate	S-5027-1	1
7	Not Applicable		
8	Rectifier Assembly	EE-2214	1
9	Voltmeter	VM-716	1
10	Panel Weld Assembly	G-5838-30	1
11	Insulator	W-203	2
12	Mounting Plate	S-5027-1	1
13	N.A.		
14	Circuit Breaker	EE-1862	1
15	Ground Lug	EE-1671	1
16	Tinnerman	4957	7
17	Transformer	EE-2059	1
18	Load Plug Bracket	S-9292	1
19	Load Plug Housing - 2 Pole	EE-2327	2
20	Load Plug Contact	EE-2328	4
21	Contact Bushing #4 Wire	EE-2330-3	4
(B) N.S.	Voltmeter Shield	S-9675	1

Parts Drawing IE-10951

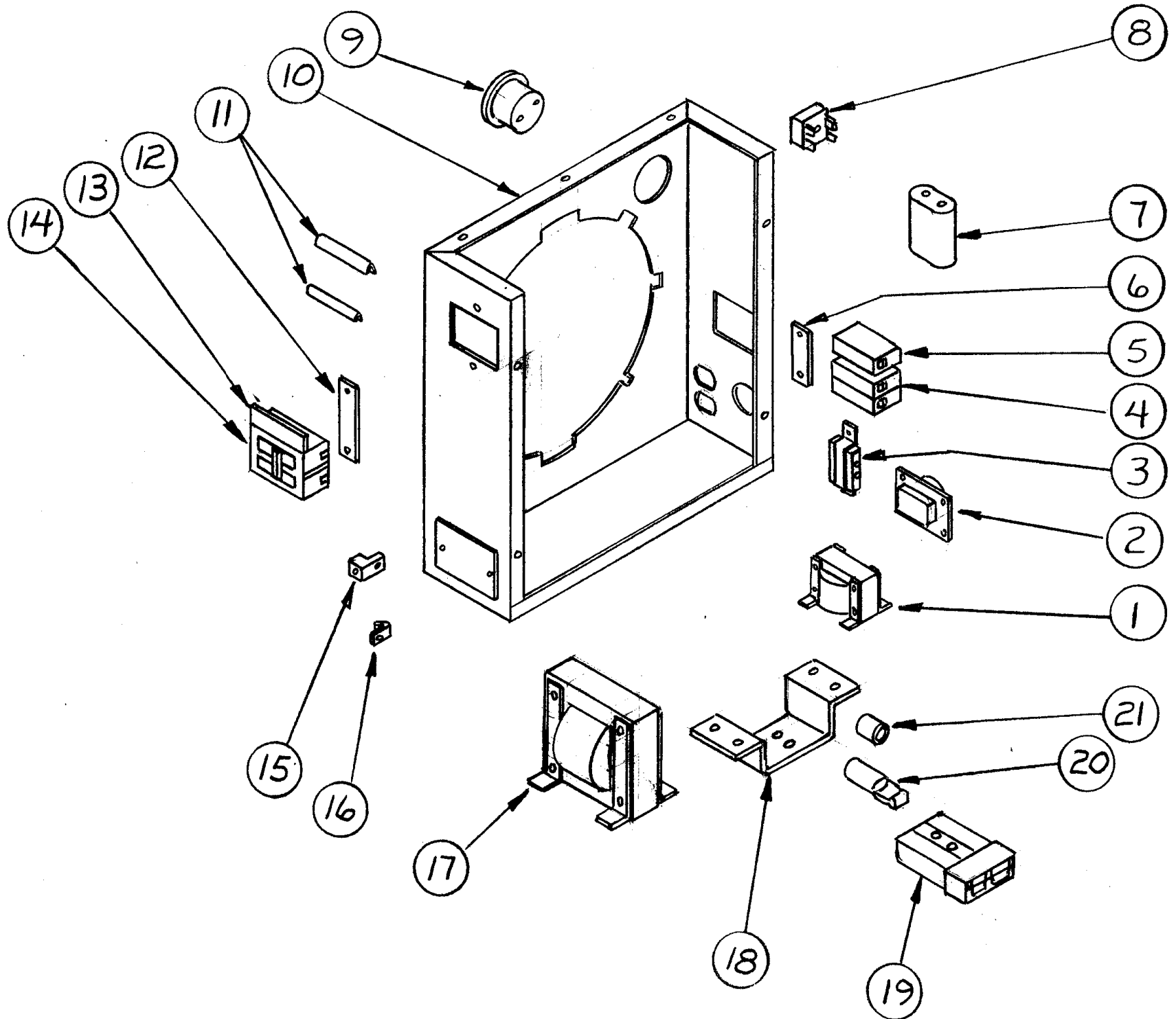
(A) Was VM-71 6-1-82

(B) Added 6-1-82

* Air gap has to be adjusted from .040
to .033.

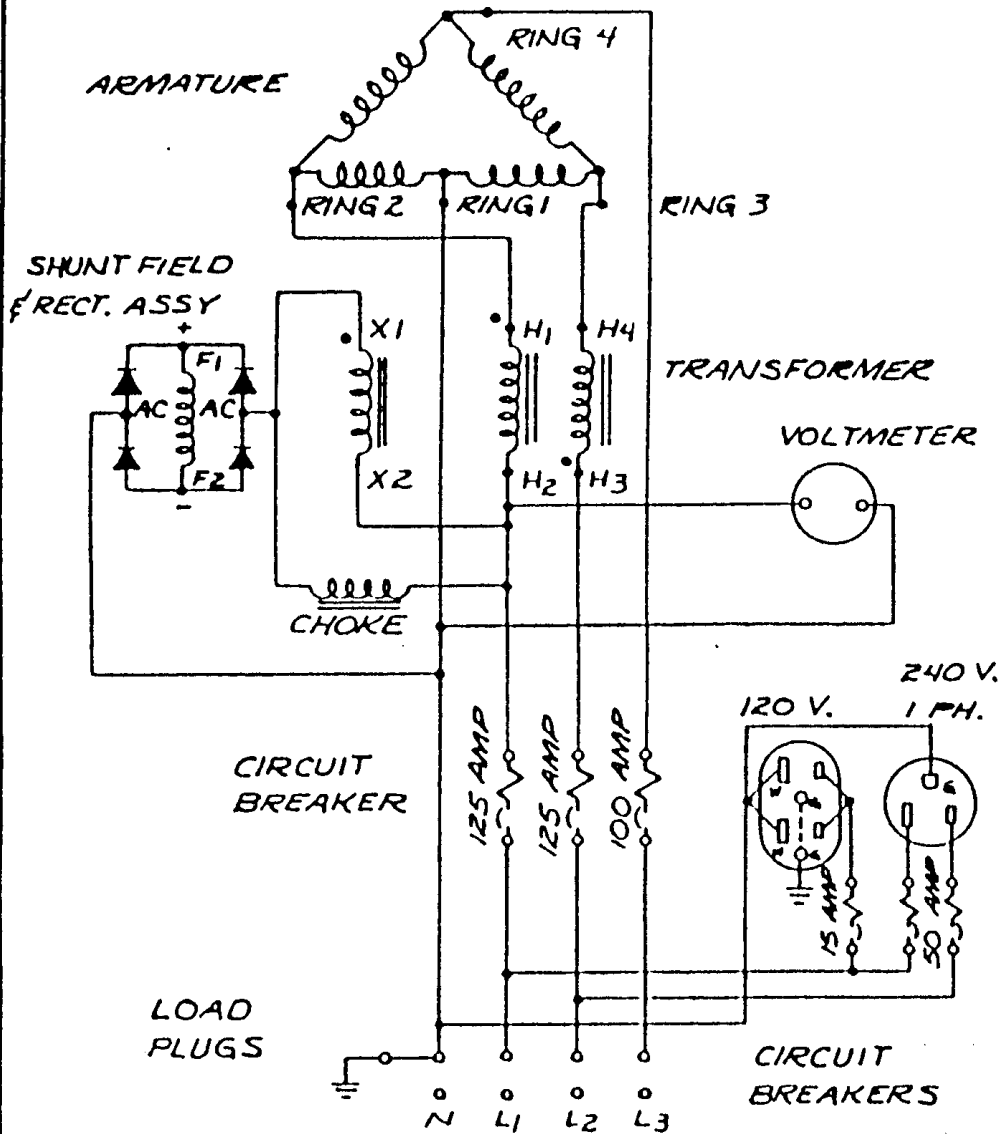
Original choke was p/n EE1980.

1E-10951

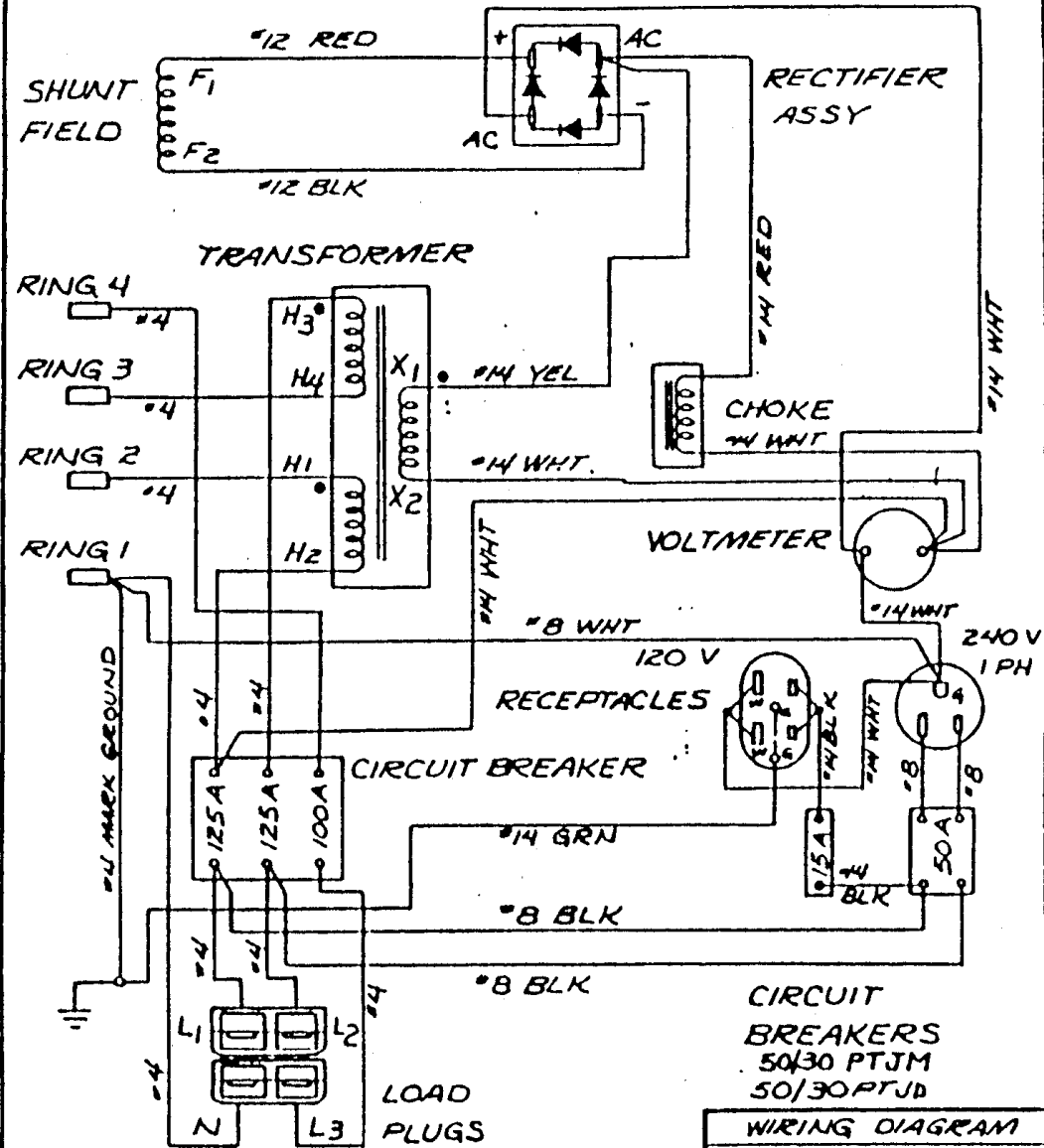


1C-6995

SCHEMATIC WIRING



PICTORIAL WIRING



PLUGS VIEWED FROM FRONT

CIRCUIT BREAKERS
50/30 PTJM
50/30PTJD

WIRING DIAGRAM

DATE	3-16-79	DRAWN BY	IC-6995
BY	KH	CHECKED BY	
WINPOWER CORPORATION NEWTON, IOWA 50266			

1C-6995

REV	DATE	BY	DESCRIPTION
A	9-30-00	IC-6995	80-2112
TOLERANCE ON DIMENSIONS UNLESS OTHERWISE SPECIFIED			
DECIMAL FRACTIONAL ANGULAR		REMOVE ALL BURRS DEBurr ALL SHARP MACHINED EDGES	
MATERIAL			
NO. REQ.		MICROFILM DATA	