

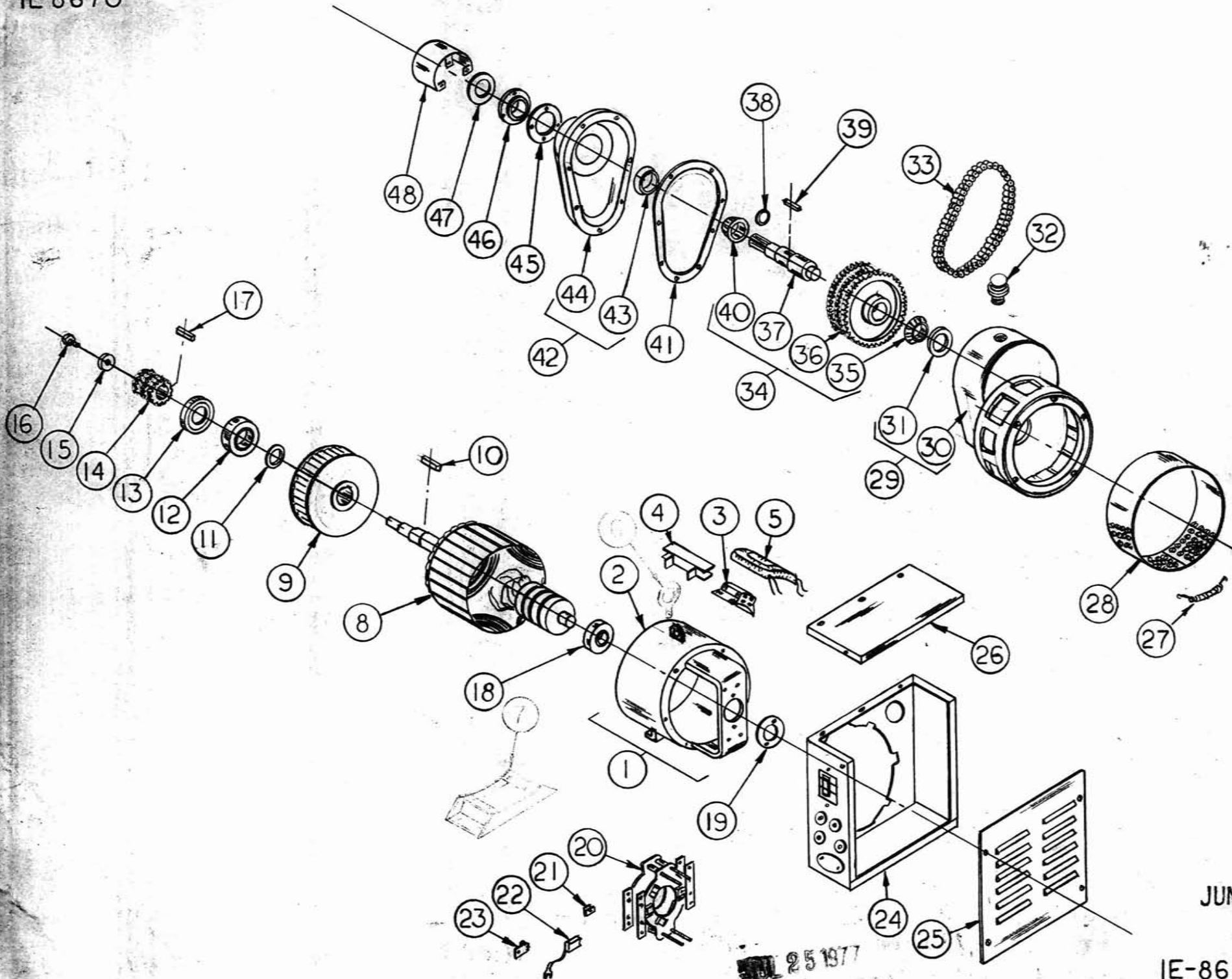
PARTS LIST  
TRACTOR DRIVEN ALTERNATOR  
45/25' PT3J

PL-01196

<u>FIND NO.</u>	<u>PART NO.</u>	<u>DESCRIPTION</u>	<u>REQ'D/UNIT</u>
1	G-5432-21	Field Frame Assy	1
2	G-5431-2	Field Frame	1
3	G-5037	Field	4
4	J-635	Coil Shield	8
5	H-10941	Field Coil	Set of 4
6	S-859	Lift Ring	1
7	G-5940-1	Base Assembly	1
8	G-4766-59	Armature Assy	1
9	G-5878-1	Fan Assy	1
10	S-2056-90	Fan Key	1
11	S-7019	Washer	1
12	D-3	Bearing - DE	1
13	TE-888	Grease Seal	1
14	S-6350-1	Sprocket - Lower - 3 Row	1
15	1207	Washer	1
16	11320-2	Screw	1
17	S-2056-83	Key - Sprocket	1
18	D-8	Bearing - Slip Ring End	1
19	W-43	Bearing Retainer	1
20	G-5430	Brush Gear Assy	1
21	4996	Tinnerman	8
22	Y-51	Brush	12
23	G-3422	Brush Spring	12
24	G-5434-11	Panel Back Assy	1
25	S-5851-1	Panel Front	1
26	S-6927	Panel Top Cover	1
27	S-7061	Spring	1
28	S-7037	Wrapper	1
29			
30	<i>I-8851</i>	Housing	1
31	<i>D-27</i>	Bearing Cap	1
32	10801	Vent Cap	1
33	G-7283	Drive Chain - 3 Row	1
34	G-5925	Drive Shaft Assy	1
35	D-28	Bearing Cone	1
36	S-7301	Sprocket 3 Row	1
37	N-593-4	Shaft 6-Spine 1-3/8 ASAE	1
38	S-7046	Washer - Hardened	1
39	S-2056-86	Key	1
40	D-70	Bearing Cone	1
41	X-197	Gasket	1
42	G-5924	Gear Case Cover Assy	1
43	D-71	Bearing Cup	1
44	<i>I-884</i>	Gear Case Cover	1
45	X-198	Gasket	AR
46	<i>I-883</i>	Retainer Plate	1
47	X-201	Seal - Upper	1
48	G-4770	PTO Guard	1

Wiring Diagram E-8648  
Parts Drawing E-8670

IE-8670



JUN 27 1977

25 1977

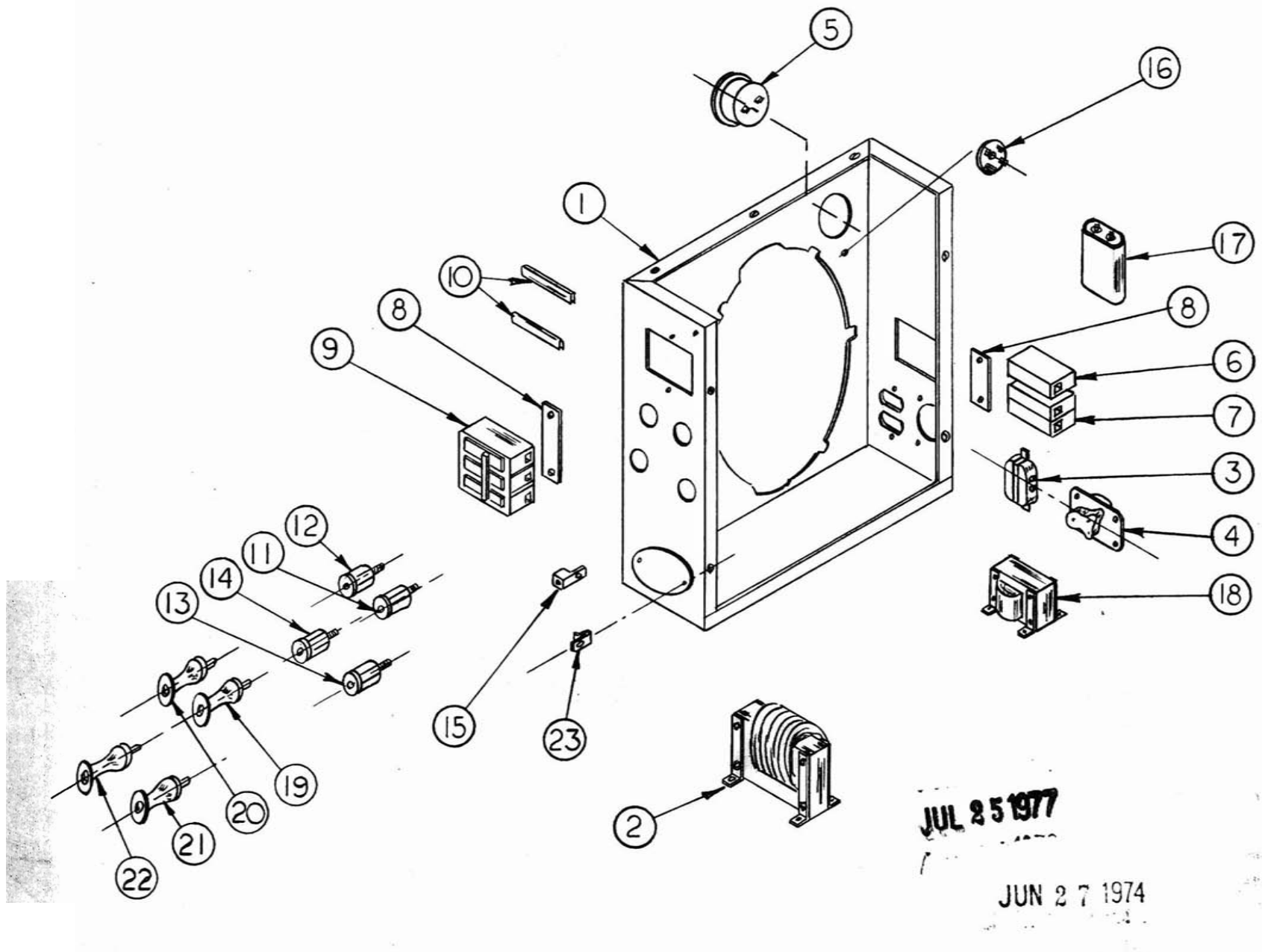
IE-8670

PARTS LIST  
 PANEL BACK ASSEMBLY  
 G-5434-11  
 (45/25PT3J)  
 (45/25PT3JM)

<u>FIND NO.</u>	<u>PART NO.</u>	<u>DESCRIPTION</u>	<u>REQ'D/UNIT</u>
1	G-5838-6	Panel Weld Assembly	1
2	EE-1979	Transformer	1
3	EE-323	Receptacle - Duplex	1
4	EE-303-1	Receptacle - 250 Volt	1
5	VM-716	Voltmeter	1
6	EE-28131	Circuit Breaker, 15 Amp	1
7	EE-28098S	Circuit Breaker, 50 Amp	1
8	S-5027-1	Mounting Plate	2
9	EE-1838S	Circuit Breaker	1
10	W-203	Insulator	2
11	EE-1339	Receptacle - Black	1
12	EE-1341	Receptacle - White	1
13	EE-1348	Receptacle - Red	1
14	EE-1347	Receptacle - Yellow	1
15	EE-1671	Ground Lug	1
16	EE 2214	Rectifier Assembly Shunt	1
17	EE-1539	Capacitor	1
18	EE-1980	Choke	1
19	EE-1340	Plug - Black	1
20	EE-1342	Plug - White	1
21	EE-1346	Plug - Red	1
22	EE-1345	Plug - Yellow	1
23	4957	Tinnerman	7

Wiring Diagram E-8648  
 Parts Drawing E-8790

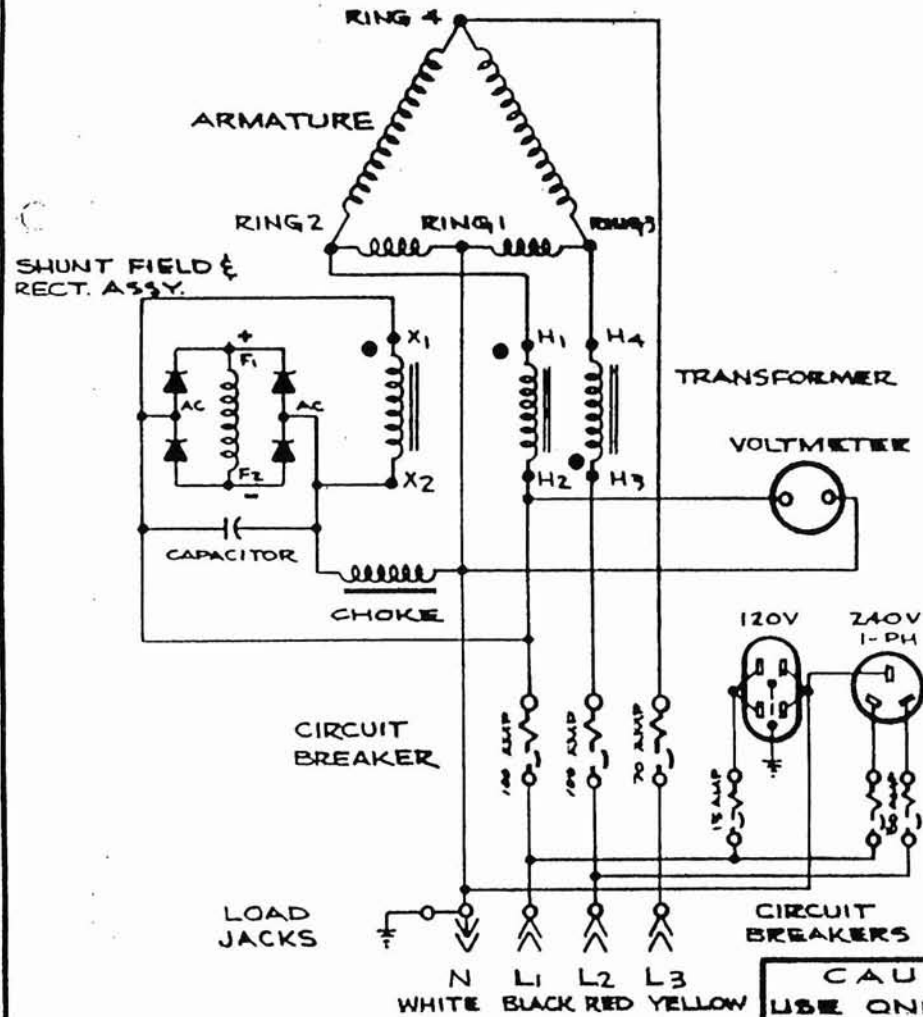
IE-8790



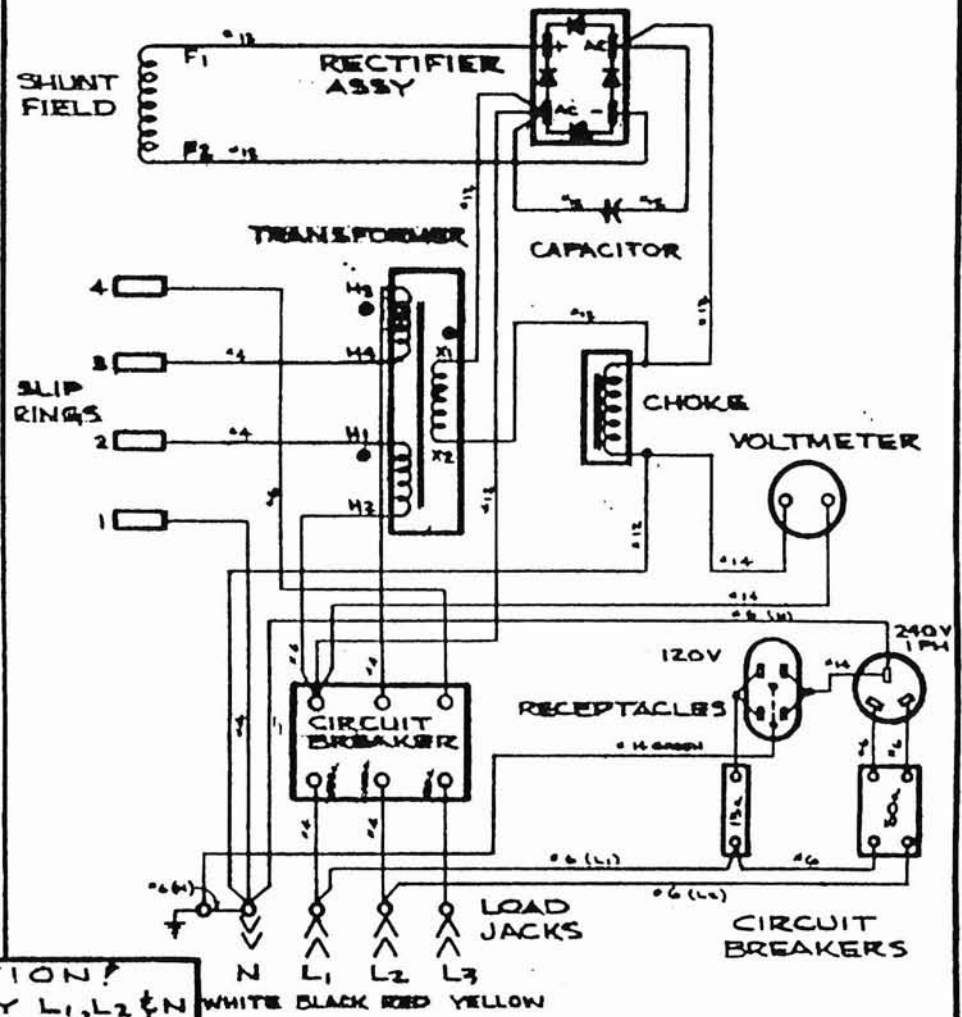
IE-8790

# 45/25 PT3J

## SCHEMATIC WIRING



## PICTORIAL WIRING



**CAUTION!**  
USE ONLY L1, L2 & N  
FOR SINGLE PHASE  
LOADS.

D	22 LEADS ENDED	1-10-73	T.C.G.
C	5-200V LEAD	4-11-72	T.C.G.
B	ADDED COLOR TO LEADS F1, F2	1-6-72	T.C.G.
A	CIRCUIT BREAKER CURE, MATHING WAS 110 & 200	10-28-71	T.C.G.

CHANGE	WAS ORIGINALLY	DATE	CHK'D	CHG. REQUEST
TOLERANCE ON DIMENSIONS NOT OTHERWISE SPECIFIED				
DECIMAL ±				
FRACTIONAL ±				
ANGULAR ±				
REMOVE ALL BURRS BREAK ALL SHARP MACHINED EDGES				
NO. REQ'D.				
MICROFILM DATA				
MATERIAL				

WIRING DIAGRAM	
SCALE ~	MODEL NO.
DATE 8-18-71	PART NO. E-2253
BY T.C.G.	CHK'D
WINPOWER MFG. CO. NEWTON, IOWA	