

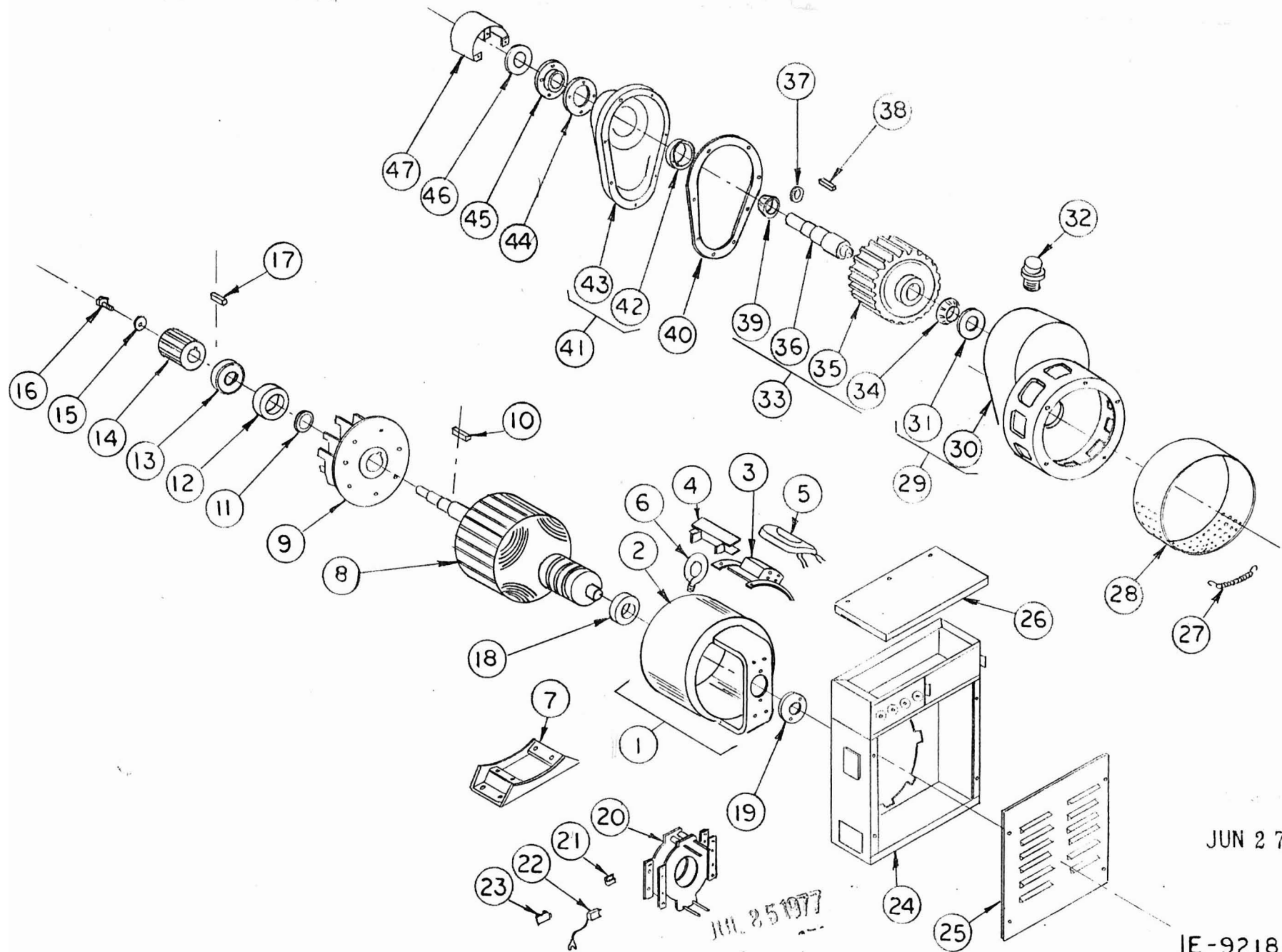
PARTS LIST
TRACTOR DRIVEN ALTERNATOR
45/25 MAJD
45/25 MAJM

<u>FIND NO.</u>	<u>PART NO.</u>	<u>DESCRIPTION</u>	<u>REQ'D/UNIT</u>
1	G-6067	Field Frame Assy	1
2	G-5431-2	Field Frame	1
3	G-6068	Field Pole	4
4	J-635	Coil Shield	8
5	H-1094	Field Coil	Set of 4
6	S-859	Lift Ring	1
7	G-5940-1	Base Assembly	1
8	G-4766-59	Armature Assy	1
9	G-5971-1	Fan Assy	1
10	S-2056-90	Fan Key	1
11	S-7019	Washer	1
12	D-3	Bearing - DE	1
13	TE-888	Grease Seal	1
14	S-7404-1	Pinion (45/25MAJD) 540	1
14	S-7404-3	Pinion (45/25MAJM) 1000	1
15	1207	Washer	1
16	11320-2	Screw	1
17	S-7467-12	Key	1
18	D-8	Bearing - Slip Ring End	1
19	W-43	Bearing Retainer	1
20	G-5430	Brush Gear Assy	1
21	4996	Tinnerman	8
22	Y-51	Brush	12
23	G-3422	Brush Spring	12
24	G-6069	Panel Back Assy	1
25	S-5851-1	Panel Front	1
26	S-6927	Panel Top Cover	1
27	S-7061	Spring	1
28	S-7037	Wrapper	1
29	G-5922-1	Gear Case Housing Assy	1
30	I-885-1	Housing (45/25MAJD) 540	1
30	IO-869	Housing (45/25MAJM) 1000	1
31	D-27	Bearing Cup	1
32	10800	Vent Cap	1
33	G-5925-3	Drive Shaft Assy (45/25MAJD) 540	1
33	G-6263	Drive Shaft Assy (45/25MAJM) 1000	1
34	D-28	Bearing Cone	1
35	S-7405-2	Gear (45/25MAJD) 540	1
36	S-7405-3	Gear (45/25MAJM) 1000	1
36	N-593-4	Shaft 6 Spline 1 3/8 ASAE	1
37	S-7046	Washer - Hardened	1
38	S-7468-14	Key	1
39	D-70	Bearing Cone	1
40	X-197	Gasket	1
41	G-5924	Gear Case Cover Assy	1

PARTS LIST
TRACTOR DRIVEN ALTERNATOR
45/25 MAJD
45/25 MAJM

<u>FIND NO.</u>		<u>DESCRIPTION</u>	<u>REQ'D/UNIT</u>
42	D-71	Bearing Cup	1
43	I0-868	Gear Case Cover	1
44	X-198-1	Gasket Amber .001	AR
44	X-198-2	Gasket Red .002	AR
44	X-198-3	Gasket Blue .005	AR
44	X-198-4	Gasket Brown .010	AR
44	X-198-5	Gasket Yellow .020	AR
45	I0-867	Retainer Plate	1
46	X-201	Seal - Upper	1
47	G-4770	PTO Guard	1

Wiring Diagram C-6498
Parts list E-9218



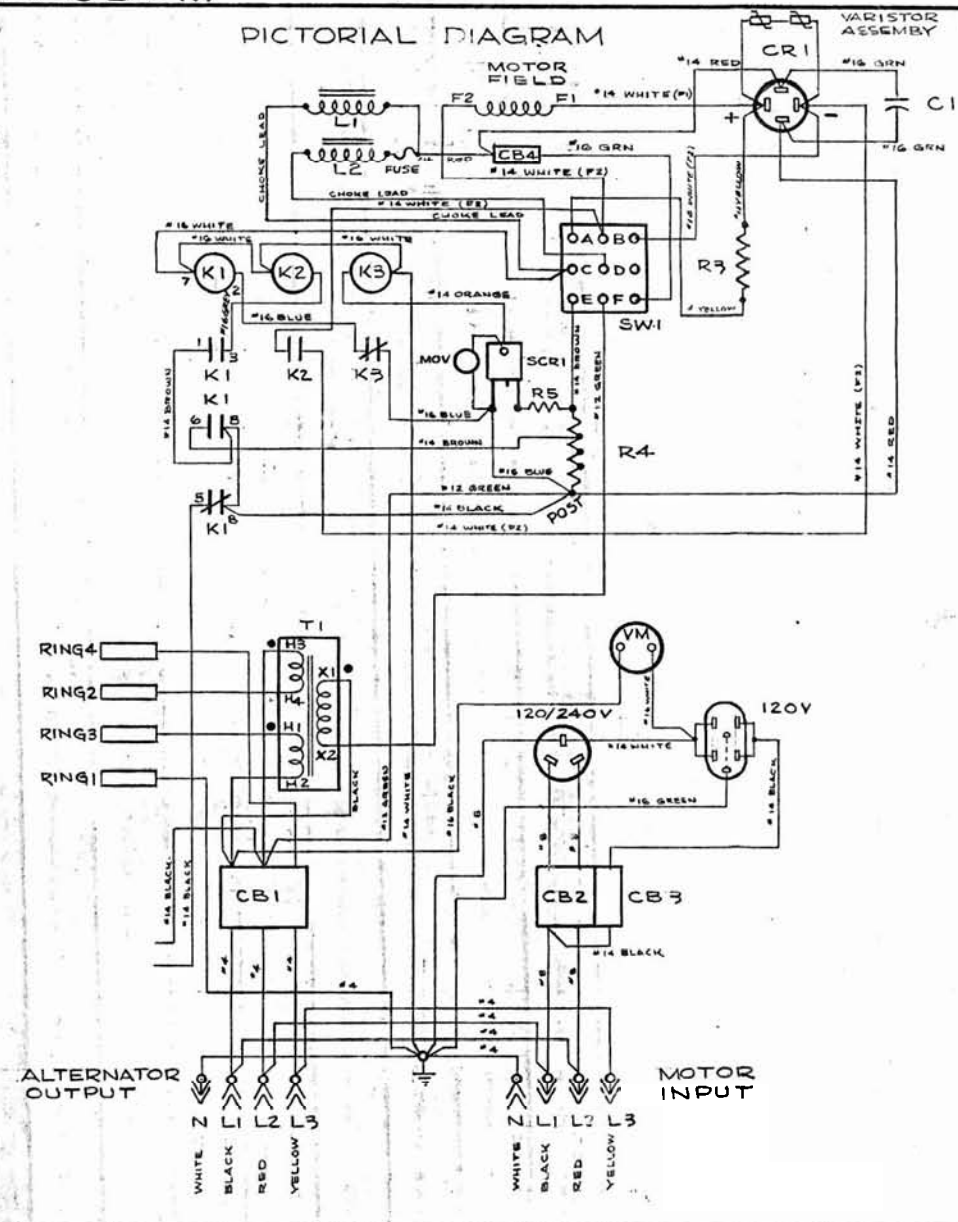
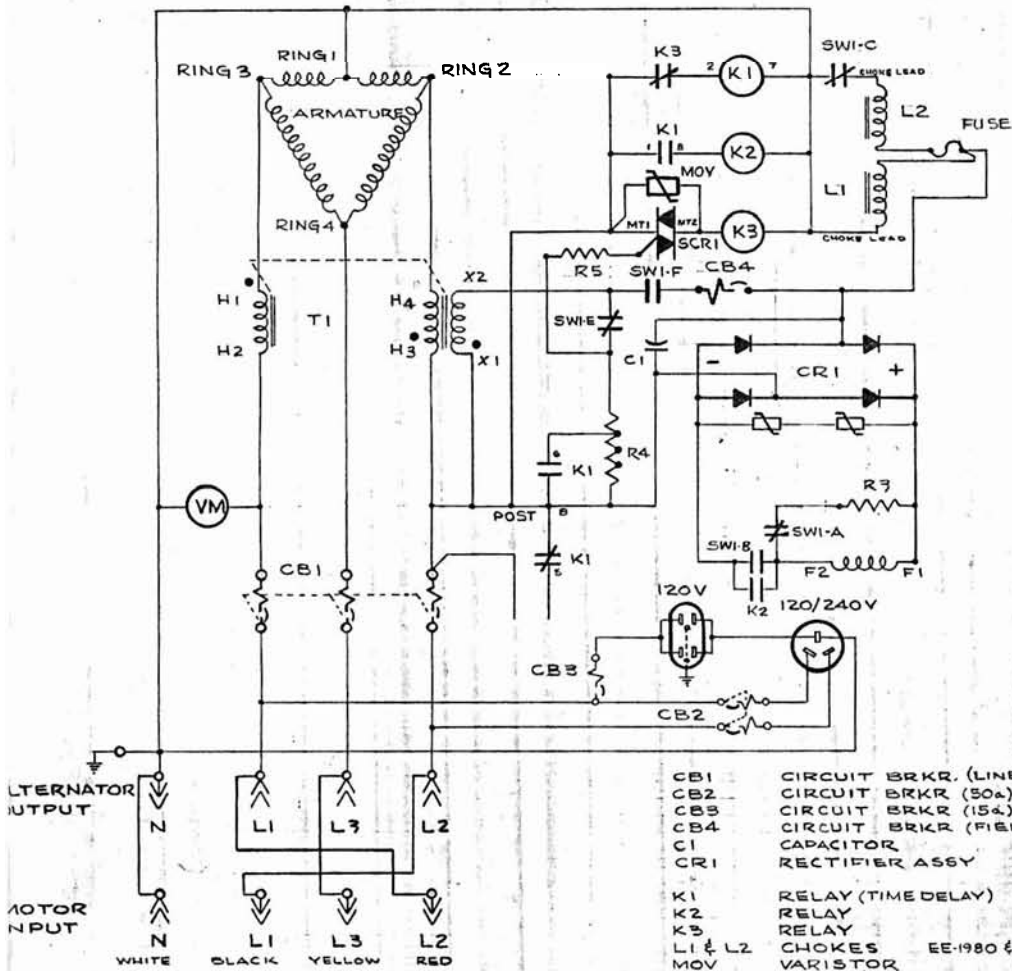
JUN 25 1977

JUN 27 1974

IE-9218

SCHEMATIC DIAGRAM

PICTORIAL DIAGRAM



- CB1 CIRCUIT BRKR. (LINE) EE-1862
- CB2 CIRCUIT BRKR. (50a) EE-1805
- CB3 CIRCUIT BRKR. (15a) EE-1830
- CB4 CIRCUIT BRKR. (FIELD) EE-1867
- C1 CAPACITOR EE-1559
- CR1 RECTIFIER ASSY EE-2171
- K1 RELAY (TIME DELAY) EE-1222
- K2 RELAY EE-1610
- K3 RELAY EE-1205
- L1 & L2 CHOKES EE-1980 & EE-1988
- MOV VARIATOR EE-2194
- R3 RESISTOR, 100W, 100Ω R-140
- R4 RESISTANCE WIRE H-1125
- R5 RESISTOR, 12W, 750Ω R-237
- SCR1 TRIAC EE-2192
- T1 TRANSFORMER EE-1979
- VM VOLT METER VM-59
- SW-1 SWITCH MOTOR-ALT. EE-189

NOTES:
 1. CONTACTS SHOWN FOR MOTOR OPERATION.
 2. USE ONLY L1, L2 & N FOR SINGLE PHASE LOADS.

REVISION	DESCRIPTION	DATE	BY	CHK'D	CHG. REQUEST
E	ADDED PARTS TO ASSEMBLY	10-16-73	T.C.G.		PLATE
D	REMOVED PARTS TO ASSEMBLY	9-4-73	T.C.G.		PLATE
C	ADDED PARTS TO ASSEMBLY	7-23-73	T.C.G.		PLATE (NEW)
B	REV. RING 2 & RING 3	5-3-73	M.E.		
A	REVISED COLOR CODE SPECIFICATIONS	3-19-73	T.C.G.		

NO. REQ'D.	MATERIAL

CIRCUIT DIAGRAM	
SCALE ~	MODEL NO. 45/25MA
DATE 10-26-72	PART NO. 1C-6498
DWN T.C.G.	CHK'D
WINPOWER MFG. CO. NEWTON, IOWA	