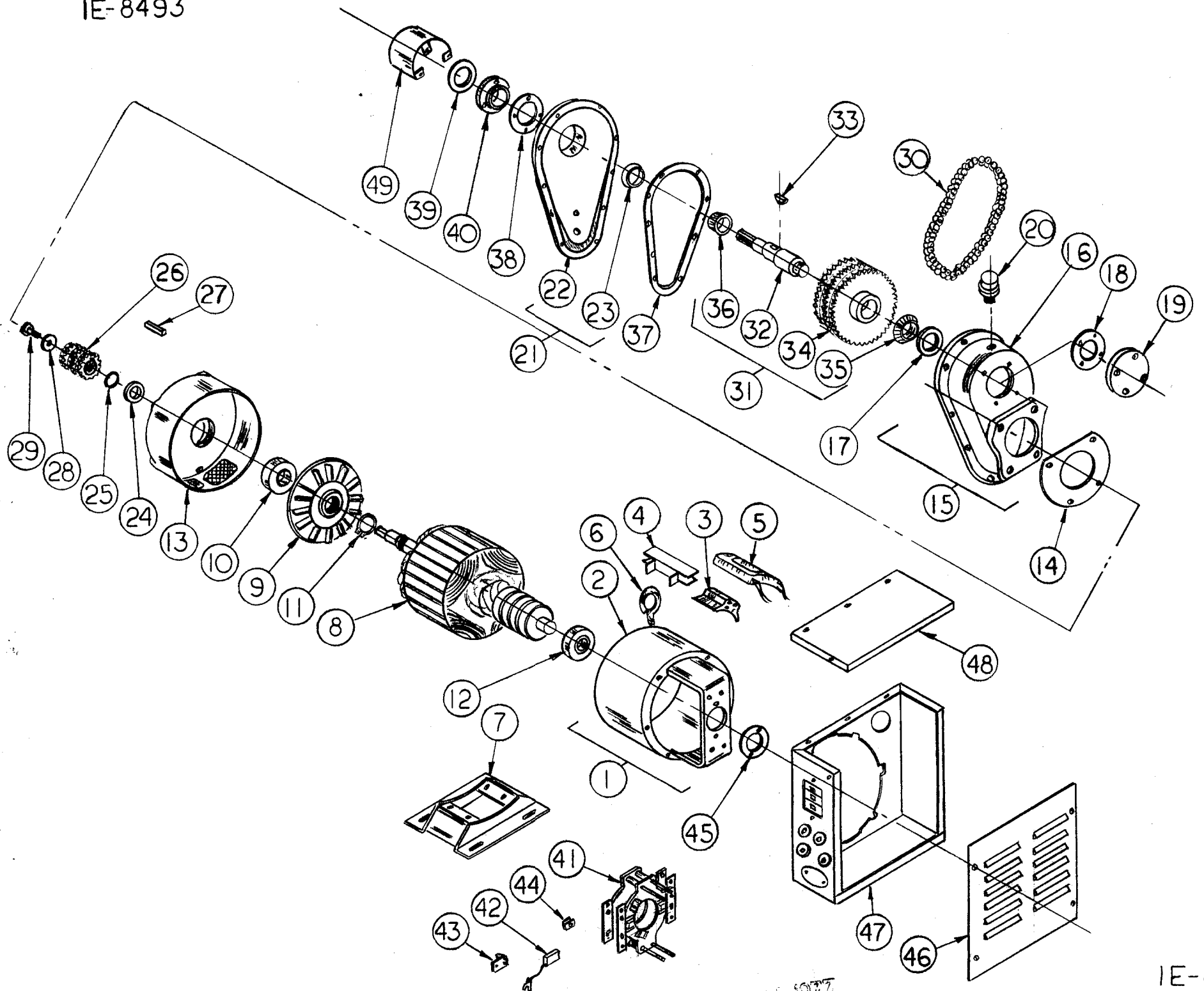


PARTS LIST
TRACTOR DRIVEN ALTERNATOR
20/12PT3J

PL-01029

<u>FIND NO.</u>	<u>PART NO.</u>	<u>DESCRIPTION</u>	<u>REQ'D/UNIT</u>
1	G-4776-7	Field Frame Assy	1
2	G-4775-3	Field Frame	1
3	G-4777	Field Pole	4
4	J-528	Coil Shield	8
5	H-1050-1	Field Coil	Set of 4
6	S-859	Lift Ring	1
7	G-2524	Base Assy	1
8	G-4766-44	Armature Assy	1
9	I-861	Fan	1
10	D-3	Bearing - Drive End	1
11	11115	Retaining Ring	1
12	D-8	Bearing - Ring End	1
13	I-686-4	Drive End Bell	1
14	X-177	Gasket	1
15	G-3572-1	Gear Case Housing Assy	1
16	IO-767	Housing	1
17	D-10-1	Bearing Cup	1
18	X-178	Gasket	1
19	IO-770	End Plate	1
20	10800	Vent - Oil Fill	1
21	G-3573-1	Gear Case Cover Assy	1
22	IO-768	Cover	1
23	D-9-1	Bearing Cup	1
24	TE-888	Oil Seal	1
25	S-6289-9	Shim	AR
26	S-1764	Sprocket	1
27	S-6166	Key	1
28	1207	Washer	1
29	11320-2	Screw	1
30	G-4772	Drive Chain	1
31	G-4778	Drive Shaft Assy	1
32	N-457	Shaft	1
33	1210	Woodruff Key	1
34	S-6031	Sprocket	1
35	D-10	Bearing Cone	1
36	D-9	Bearing Cone	1
37	X-180	Gasket	1
38	X-179	Gasket	2
39	TE-901	Oil Seal	1
40	IO-769	Retainer Plate	1
41	G-5459	Brush Gear Assy	1
42	Y-51	Brush	8
43	G-3422	Brush Spring	8
44	4996	Tinnerman	8
45	W-43	Bearing Retainer	1
46	S-5851-1	Panel Front	1
47	G-5434-7	Panel Back Assy (See Separate Drawing)	1
48	S-6927	Top Cover	1
49	G-4770	Guard - PTO	1

Wiring Diagram Z-2036, E-7898
Parts Drawing E-8493

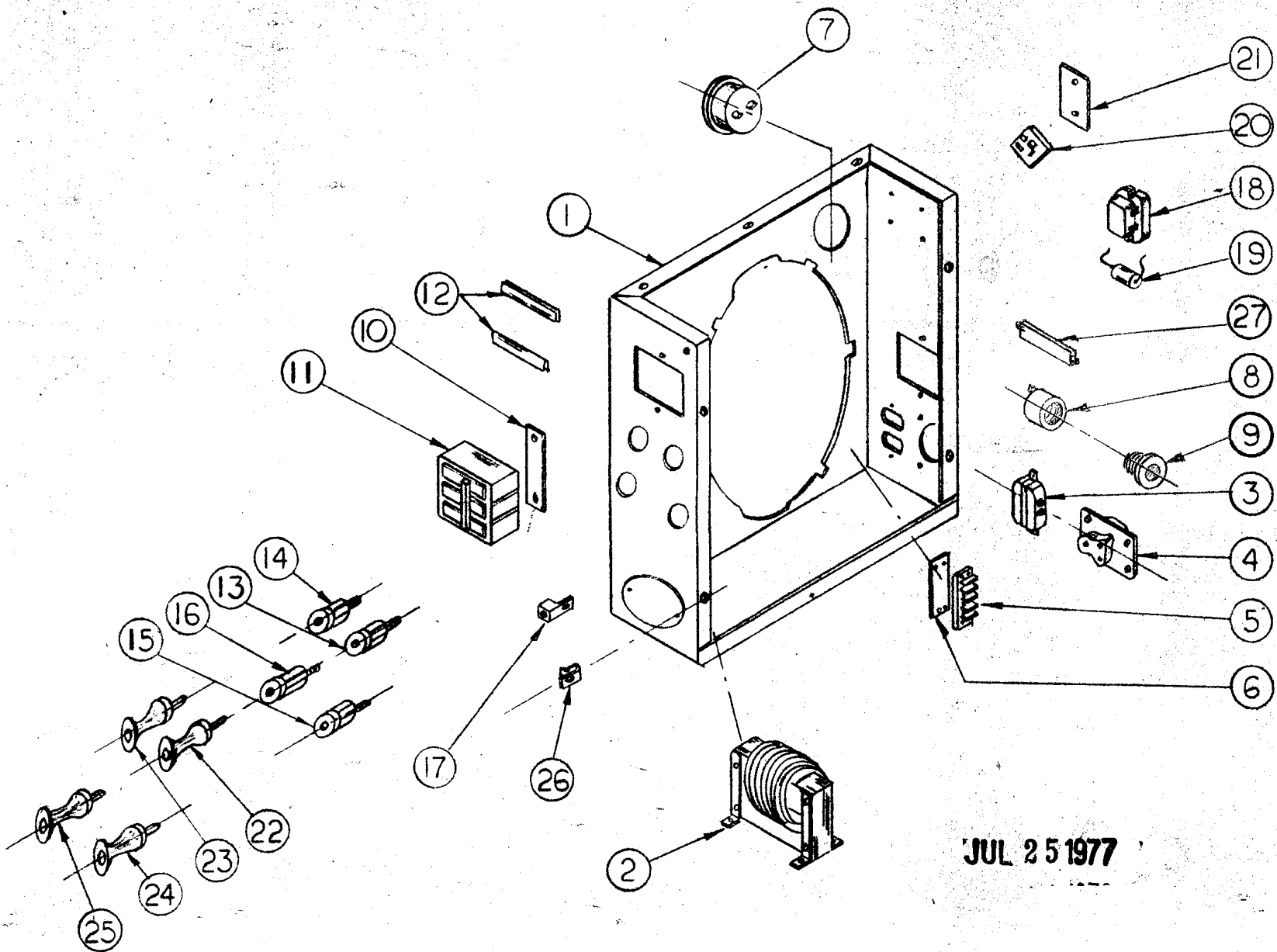


PARTS LIST
 PANEL BACK ASSY
 G-5434-7
 (20/12 PT3J)

<u>FIND NO.</u>	<u>PART NO.</u>	<u>DESCRIPTION</u>	<u>REQ'D/UNIT</u>
1	G-5838-2	Panel Weld Assy	1
2	EE-1960	Transformer	1
3	EE-323	Receptacle - Duplex	1
4	EE-303	Receptacle - 250V	1
5	EE-654	Terminal Board	1
6	EE-654-2	Insulator	1
7	VM-716	Voltmeter	1
8	EE-448	Fuse Holder	1
9	EE-447-1	Fuse	1
10	S-5027-1	Mounting Plate	1
11	EE-858-1	Circuit Breaker	1
12	W-203	Insulator	2
13	EE-1339	Receptacle - Black	1
14	EE-1341	Receptacle - White	1
15	EE-1348	Receptacle - Red	1
16	EE-1347	Receptacle - Yellow	1
17	EE-1671	Ground Lug	1
18	EE-2214	Rectifier - Series Field	1
19	EE-2142	Thyrector - Series Field	1
20	EE 2214	Rectifier - Shunt Field	1
21	A-786	Heat Sink	1
22	EE-1340	Plug - Black	1
23	EE-1342	Plug - White	1
24	EE-1346	Plug - Red	1
25	EE-1345	Plug - Yellow	1
26	4957	Tinnerman	7
27	EE-779	Filler	3

Wiring Diagram Z-2036, IE-7898
 Parts Drawing IE-8554

IE-8554

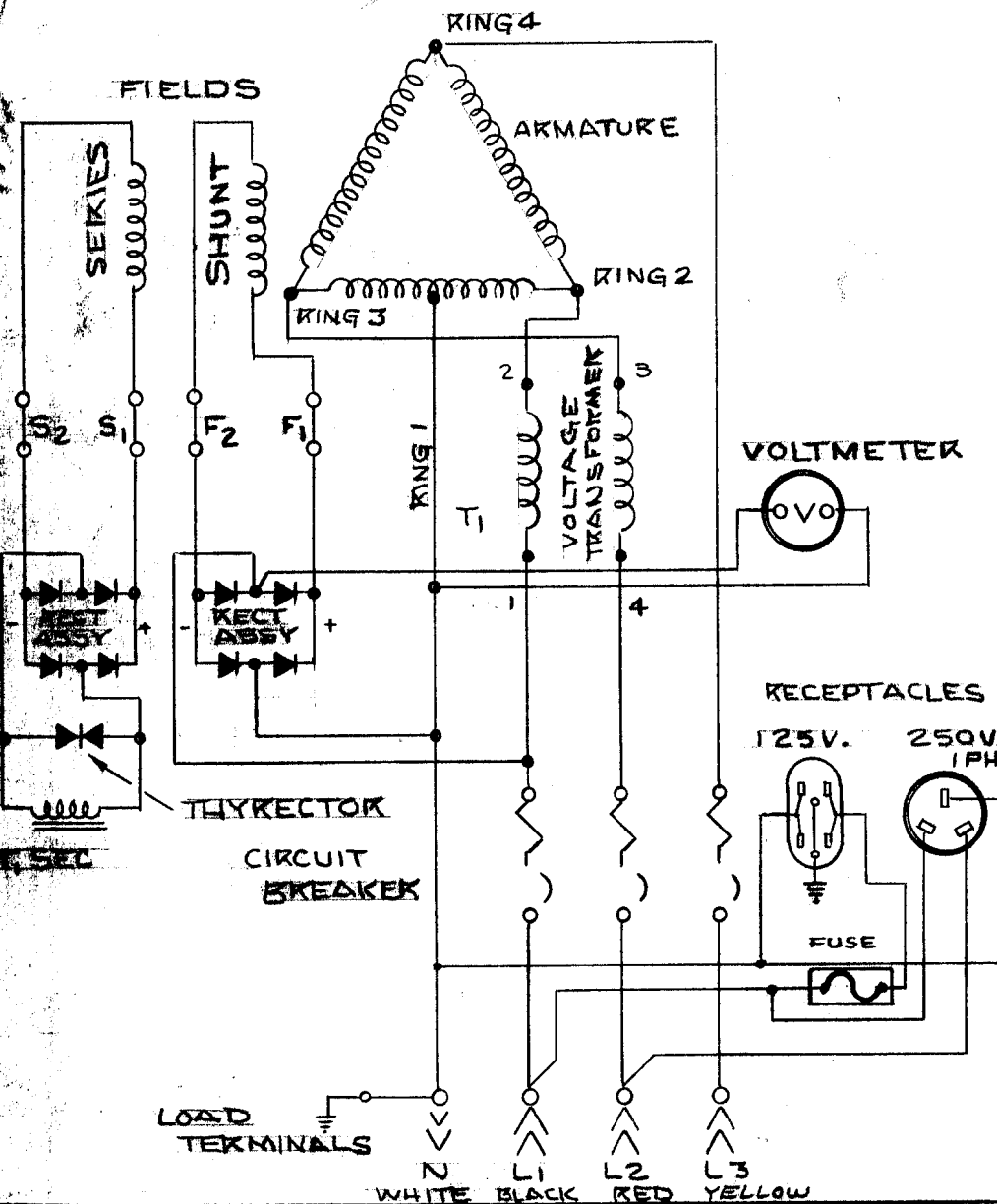


JUL 25 1977

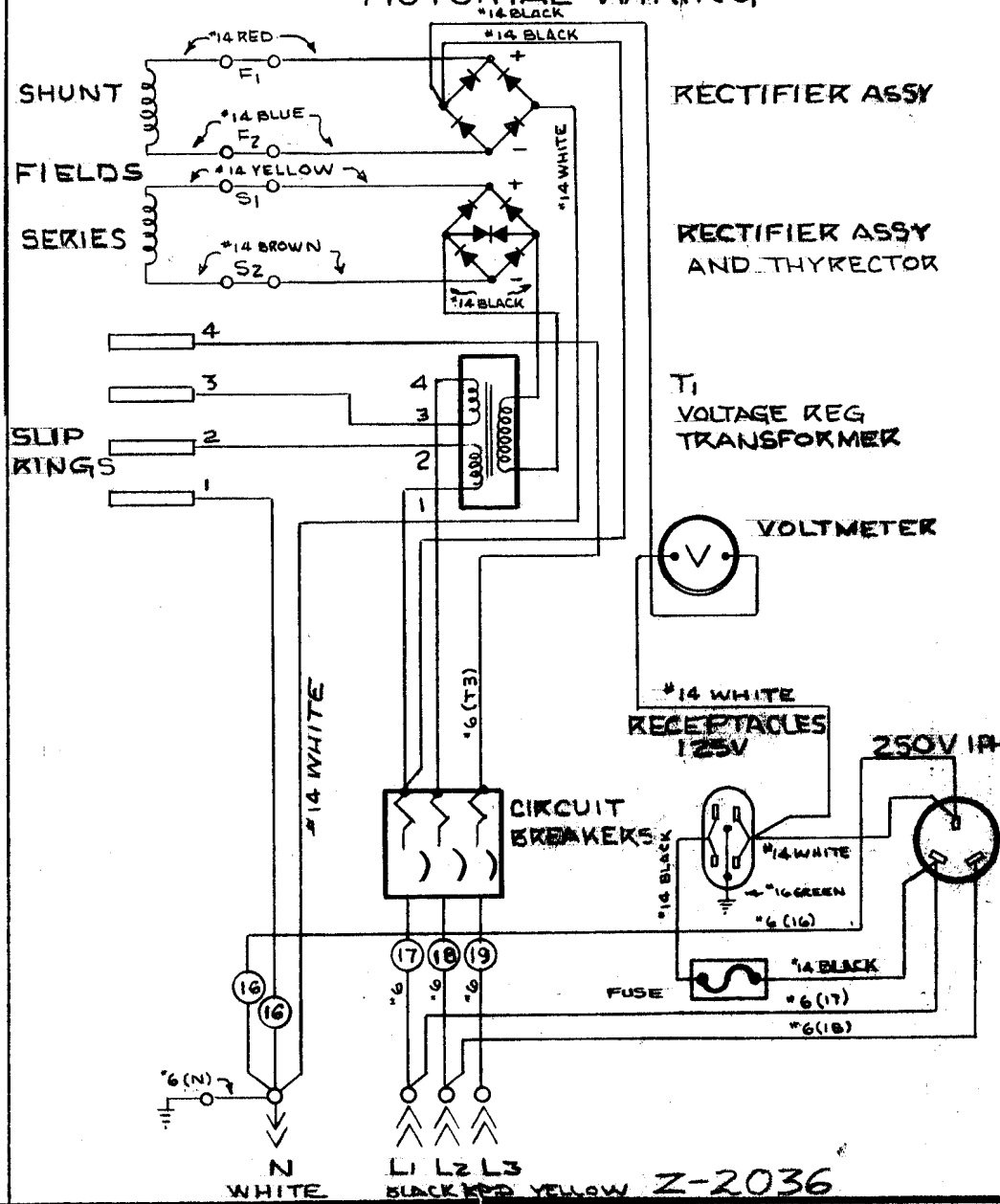
IE-8554

JUN 27 1974

SCHEMATIC WIRING



PICTORIAL WIRING



B	REMOVE BRKR 50AMP 2-P 15AMP 7-P	11-13-69	T.G.	D	OMIT SHUNT FLD THYRECTOR	8-26-70	T.G.
A	ADD N.C. 1/4"	4-25-69	JFP	C	REVISED COLOR CODE	7-24-70	J.F.D.
CHANGE	WAS ORIGINALLY	DATE	CHK'D	CHG. REQUEST	NO. REQ'D.	MICROFILM DATA	JUL 10 1970
TOLERANCE ON DIMENSIONS NOT OTHERWISE SPECIFIED				DECIMAL ±	FRACTIONAL ±	ANGULAR ±	REMOVE ALL BURRS BREAK ALL SHARP MACHINED EDGES
				MATERIAL			

WIRING DIAGRAM	
SCALE	MODEL NO.
DATE 4-25-69	PART NO. IE-7898
DWN JFP	CHK'D
WINPOWER MFG. CO. NEWTON, IOWA	