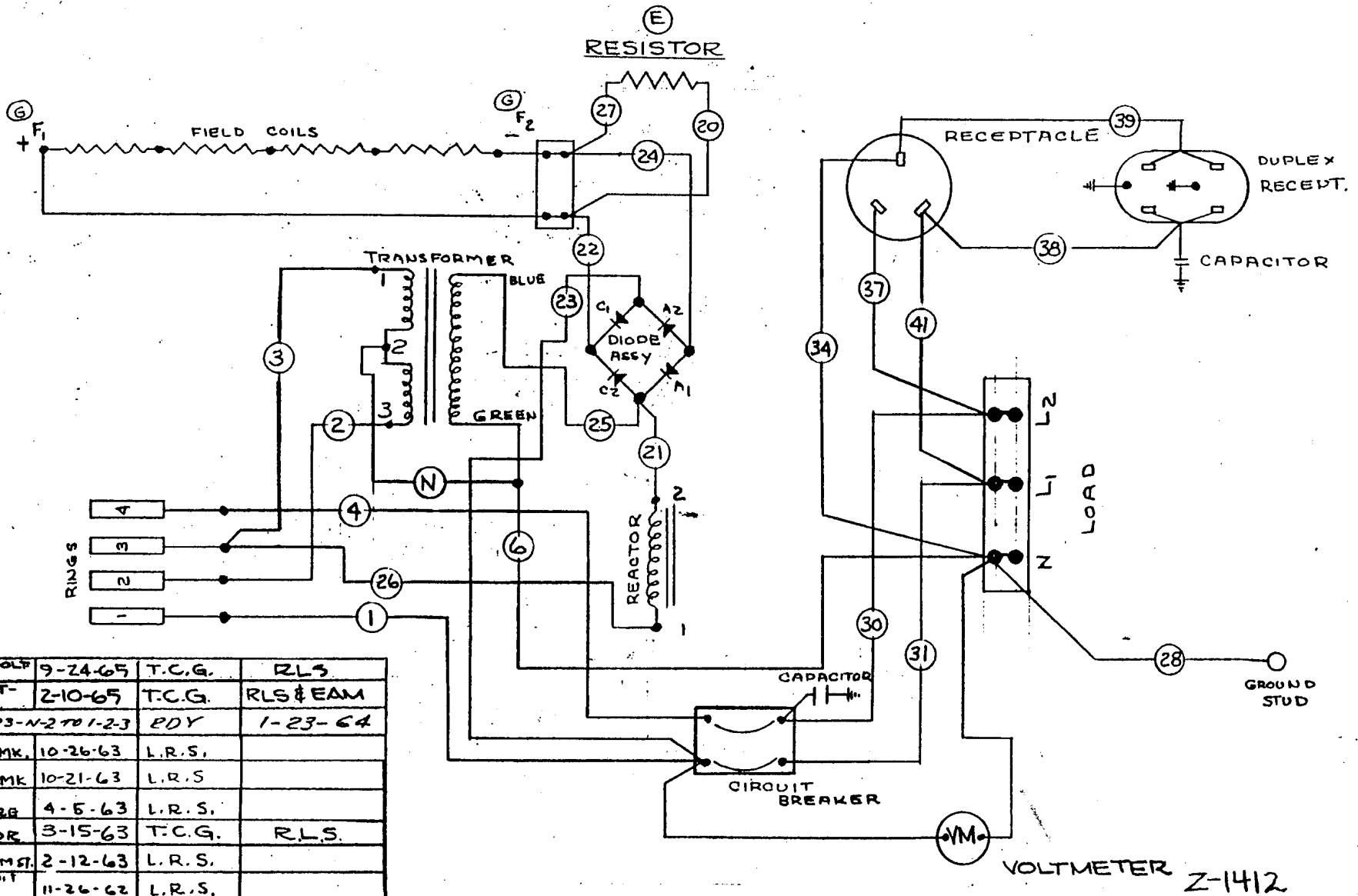


PARTS LIST
(15PT2)

<u>PART NO.</u>	<u>DESCRIPTION</u>	<u>QUANTITY</u>
G-4329	Armature Assembly	1
I-588-C	Fan	1
D-3	Bearing - Drive End	1
D-8	Bearing - Commutator	1
I-686-D	Drive End Bell	1
G-3572-1	Gear Case Housing Assembly	1
TE-888	Grease Seal	1
G-4333	Drive Chain	1
G-3573-1	Gear Case Cover Assembly	1
X-179	Gaskets	3
TE-898	Grease Seal	1
I-769	Retainer Plate	1
G-4327	Drive Shaft Assembly	1
D-10	Bearing Cone	1
D-9	Bearing Cone	1
I-768	Housing Cover	1
G-4418	Panel Back Assembly	1
G-4335	Diode Assembly	1
EE-1950	Inductive Reactor	1
EE-1952	Transformer	1
EE-645	Terminal Strip	1
VM-56	Voltmeter	1
EE-303	Receptacle	1
EE-323	Receptacle (Duplex)	1
EE-1808	Circuit Breaker 2P-70A	1
EE-530	Condensers	2
EE-658	Terminal Strip	1
G-2547	Field Poles	4
H-918	Field Coils	4
G-3572-1	Gear Case Housing Assembly	1
I-767	Housing (Machined)	1
D-10-A	Bearing Cup	1
X-178	Gasket	1
I-770	End Plate	1
G-4419	Brush Spider Assembly	1
B-660	Brush Arms	8
Y-51	Brushes	8
G-4420	Brushholders	8
R-154	Resistor	1



K	ADDED VOLT METER	9-24-65	T.C.G.	RLS
J	OMIT VOLT-METER	2-10-65	T.C.G.	RLS & EAM
I	CHANGED 3-N-2 TO 1-2-3	EDY		1-23-64
H	REV. TRAD. MK.	10-26-63	L.R.S.	
G	REVERSE PBL MK	10-21-63	L.R.S.	
F	ADD. GRP. WIRE	4-5-63	L.R.S.	
E	ADDED RESISTOR	3-15-63	T.C.G.	RLS.
D	ELIM. 1 TERM. ST.	2-12-63	L.R.S.	
C	REV. TO SUIT SAMPLES	11-26-62	L.R.S.	
B	ADDED LOAD TERM. STRIP	10-17-62	L.R.S.	
A	REV. HOOKUP	9-10-62	L.R.S.	

JUL 25 1977

JUL 10 1967

CHANGE	WAS ORIGINALLY	DATE	CHK'D	CHG. REQUEST
TOLERANCE ON DIMENSIONS NOT OTHERWISE SPECIFIED } DECIMAL ± .010 FRACTIONAL ± 1/32" ANGULAR ± 1/2°				
REMOVE ALL BURRS BREAK ALL SHARP MACHINED EDGES				
MATERIAL _____				

NO. REQ'D. _____ MICROFILM DATA _____
 15¢ PER P. 1/16/230 P.

WIRING DIAGRAM	
SCALE ~	MODEL NO. _____
DATE 8-1-62	PART NO. Z-1412
DWN L.R.S.	CHK'D _____
WINPOWER MFG. CO. NEWTON, IOWA	