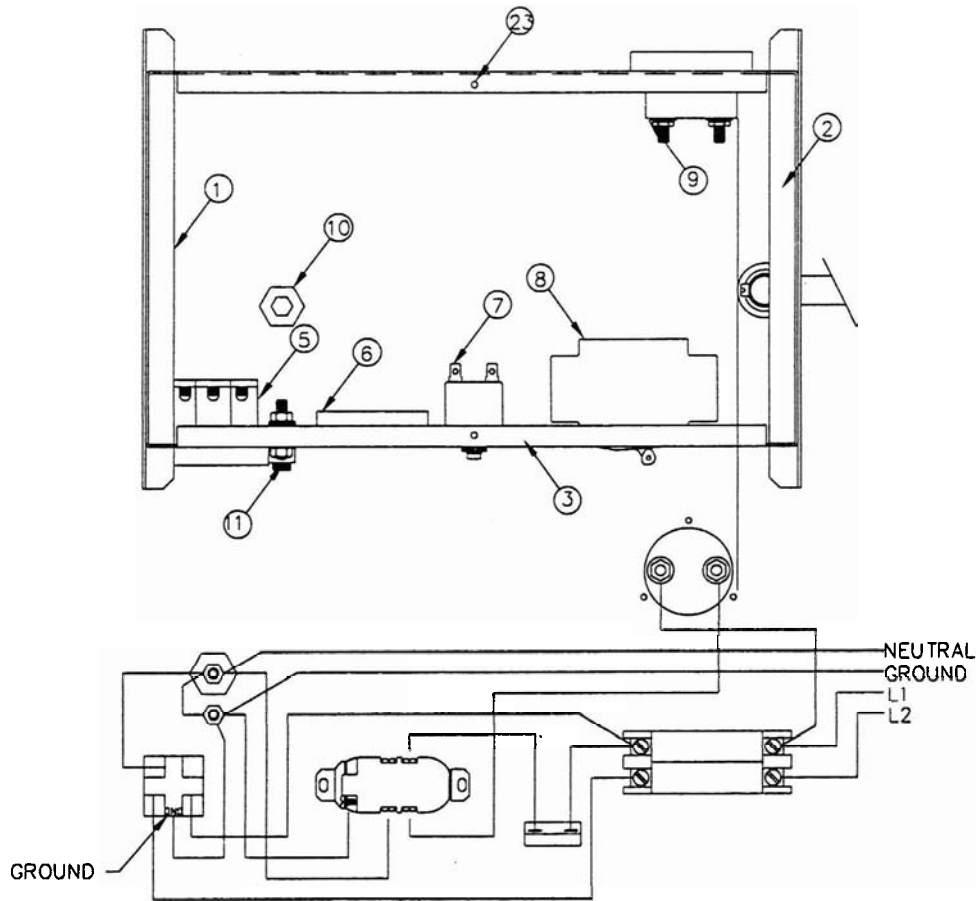


10/7PTCD COMPLETE UNIT ASSEMBLY

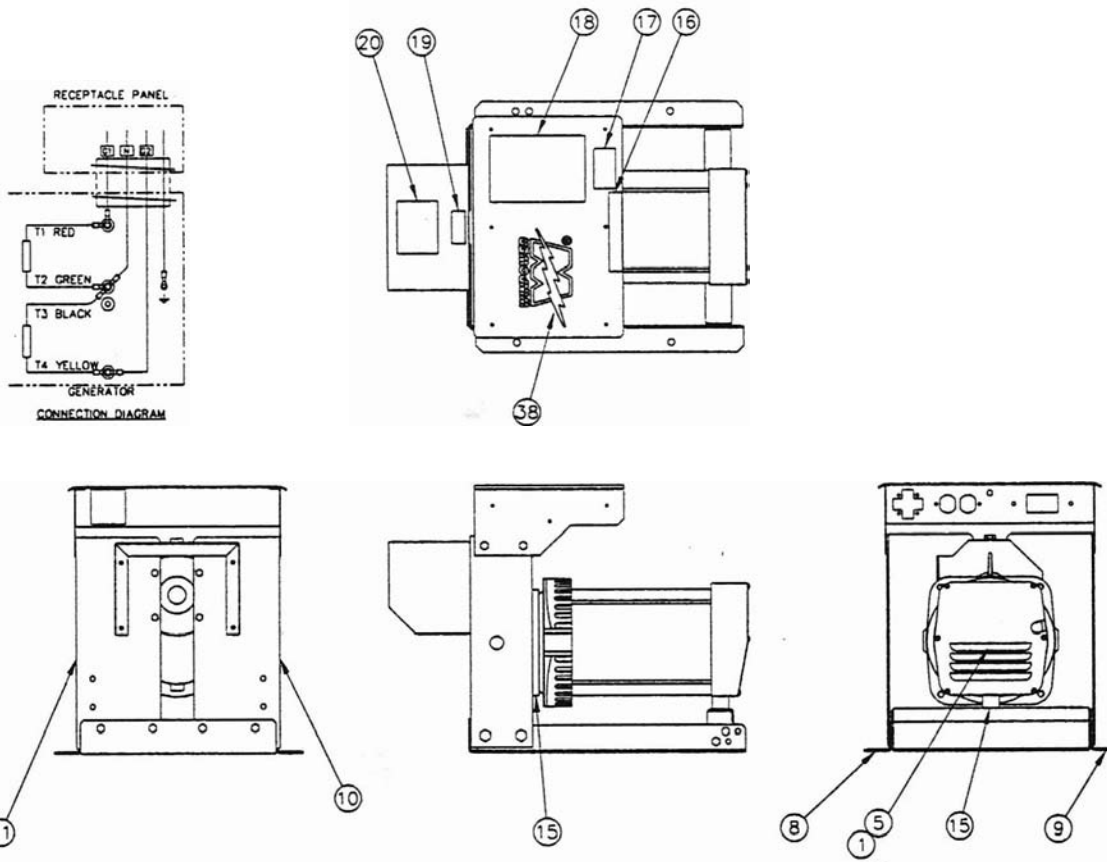
DESCRIPTION	PART NO.
1 GENERATOR	300043-9
2 GEARCASE, PTO	300153
3 ADAPTER, SHAFT	300072-1
4 ADAPTER, GEARCASE	300071
5 SPECIAL STUD	23197-35
6 ADAPTER, M14x1.5	300162
7 PANEL, RECEPTACLE	300160-1
8 SIDE, LEFT FRAME	300074-1
9 SIDE, RIGHT FRAME	300074-2
10 SUPPORT, LEFT GEAR CASE	300075-1
11 SUPPORT, RIGHT GEAR CASE	300075-2
12 FRONT, FRAME"	300076
13 REAR, FRAME	300077-1
14 GUARD, DRIVE SHAFT"	300086
15 SPACER, GEN-SUPPORT	300040
16 DECAL SET	15209-3
17 DECAL, WARNING	Z-2516
18 DECAL, OPER. INSTR.	Z-2553
19 DECAL, OIL FILL HOLE"	Z-9941
20 DECAL, DANGER PTO	Z-2568
21 DECAL, WINPOWER	Z-2508-1
22 PLUG, ANGLE 60A 3P 4W	300137

Capacitor 240005028 S



RECEPTACLE PANEL ASSEMBLY

DESCRIPTION	10/7PTCD 300160-1 PART NO.	14/11PTCD 300160-2 PART NO.	18/15PTCD 300160-3 PART NO.
1 SUPPORT, LEFT CONTROL	300078-1	300078-1	300078-1
2 SUPPORT, RIGHT CONTROL	300078-2	300078-2	300078-2
3 BOTTOM, CONTROL	300079-1	300079-1	300079-1
4 COVER, CONTROL (NOT SHOWN)	300080	300080	300080
5 RECEPTACLE, 60 AMP, 4 WIRE	300136	300136	300136
6 RECEPTACLE DUPLEX	240007200	240007200	240007200
7 CIRCUIT BREAKER, 1P/15A	240013150	240013150	240013150
8 CIRCUIT BREAKER, 2P/240V	EE2809-5S(30A)	EE2809-15S(45A)	EE2809-10S(60A)
9 VOLTMETER	VM715	VM715	VM715
10 STANDOFF	94378	94378	94378
11 GROUND LUG	63708	63708	63708



COMPLETE UNIT ASSEMBLY

14/11PTCD

18/15PTCD

DESCRIPTION	PART NO.
1 GENERATOR	300043-10
2 GEARCASE, PTO	300153
3 ADAPTER, SHAFT	300072-1
4 ADAPTER, GEARCASE	300071
5 SPECIAL STUD	23197-16
6 ADAPTER, M14x1.5	300162
7 PANEL, RECEPTACLE	300160-2
8 SIDE, LEFT FRAME	300074-1
9 SIDE, RIGHT FRAME	300074-2
10 SUPPORT, LEFT GEAR CASE	300075-1
11 SUPPORT, RIGHT GEAR CASE	300075-2
12 FRONT, FRAME"	300076
13 REAR, FRAME	300077-2
14 GUARD, DRIVE SHAFT"	300086
15 SPACER, GEN-SUPPORT	N/A
16 DECAL SET	15209-3
17 DECAL, WARNING	Z-2516
18 DECAL, OPER. INSTR.	Z-2553
19 DECAL, OIL FILL HOLE"	Z-9941
20 DECAL, DANGER PTO	Z-2568
21 DECAL, WINPOWER	Z-2508-1
22 PLUG, ANGLE 60A 3P 4W	300137

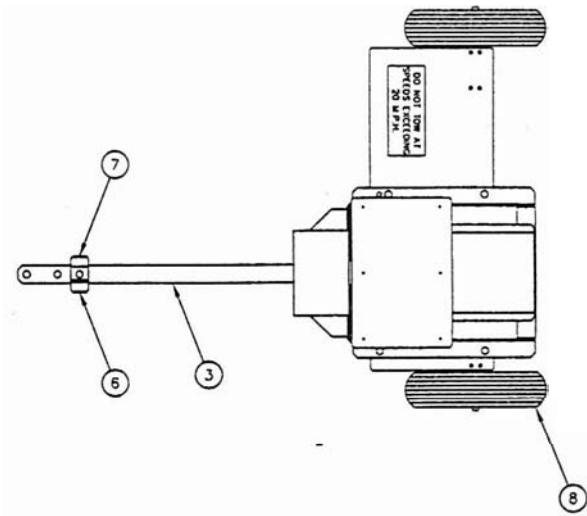
DESCRIPTION	PART NO.
1 GENERATOR	300043-10
2 GEARCASE, PTO	300153
3 ADAPTER, SHAFT	300072-1
4 ADAPTER, GEARCASE	300071
5 SPECIAL STUD	23197-16
6 ADAPTER, M14x1.5	300162
7 PANEL, RECEPTACLE	300160-3
8 SIDE, LEFT FRAME	300074-1
9 SIDE, RIGHT FRAME	300074-2
10 SUPPORT, LEFT GEAR CASE	300075-1
11 SUPPORT, RIGHT GEAR CASE	300075-2
12 FRONT, FRAME"	300076
13 REAR, FRAME	300077-2
14 GUARD, DRIVE SHAFT"	300086
15 SPACER, GEN-SUPPORT	N/A
16 DECAL SET	15209-3
17 DECAL, WARNING	Z-2516
18 DECAL, OPER. INSTR.	Z-2553
19 DECAL, OIL FILL HOLE"	Z-9941
20 DECAL, DANGER PTO	Z-2568
21 DECAL, WINPOWER	Z-2508-1
22 PLUG, ANGLE 60A 3P 4W	300137

DESCRIPTION	PART NO.
1 GENERATOR	300043-11
2 GEARCASE, PTO	300153
3 ADAPTER, SHAFT	300072-1
4 ADAPTER, GEARCASE	300071
5 SPECIAL STUD	23197-16
6 ADAPTER, M14x1.5	300162
7 PANEL, RECEPTACLE	300160-3
8 SIDE, LEFT FRAME	300074-1
9 SIDE, RIGHT FRAME	300074-2
10 SUPPORT, LEFT GEAR CASE	300075-1
11 SUPPORT, RIGHT GEAR CASE	300075-2
12 FRONT, FRAME"	300076
13 REAR, FRAME	300077-2
14 GUARD, DRIVE SHAFT"	300086
15 SPACER, GEN-SUPPORT	N/A
16 DECAL SET	15209-3
17 DECAL, WARNING	Z-2516
18 DECAL, OPER. INSTR.	Z-2553
19 DECAL, OIL FILL HOLE"	Z-9941
20 DECAL, DANGER PTO	Z-2568
21 DECAL, WINPOWER	Z-2508-1
22 PLUG, ANGLE 60A 3P 4W	300137

Capacitor

2- 15051-000

2- 24 20000



TDM75

TWO WHEEL TRANSPORT

DESCRIPTION	PART NO.
1 SUPPORT, TONGUE(QTY. 2)	300081
2 HITCH, TONGUE(QTY. 2)	300082
3 TONGUE	300083
4 AXLE (QTY. 2)	300085
5 SUPPORT, AXLE	300084
6 SUPPORT, PTO SHAFT	300161-1
7 SUPPORT, PTO SHAFT	300161-2
8 TIRE/RIM, PNEUMATIC(QTY. 2)	43657

